

Job Name: 25-2647 Nichols West
Job Location: Gallatin, TN
Contractor: Hayes Pipe Supply

PC: E. Bradley
 TECH: S. Felletter
 Plant: Beaver Dam



Structure ID: **B9**
 Spec: Storm
 Type: BX 8inW, 8inF
 Size: 32" x 32"

Rim: 508'
 Invert: 502'
 Rim to Invert: 6'

Sump: 0"
 Floor (Top): 502'
 Floor Height: 8"

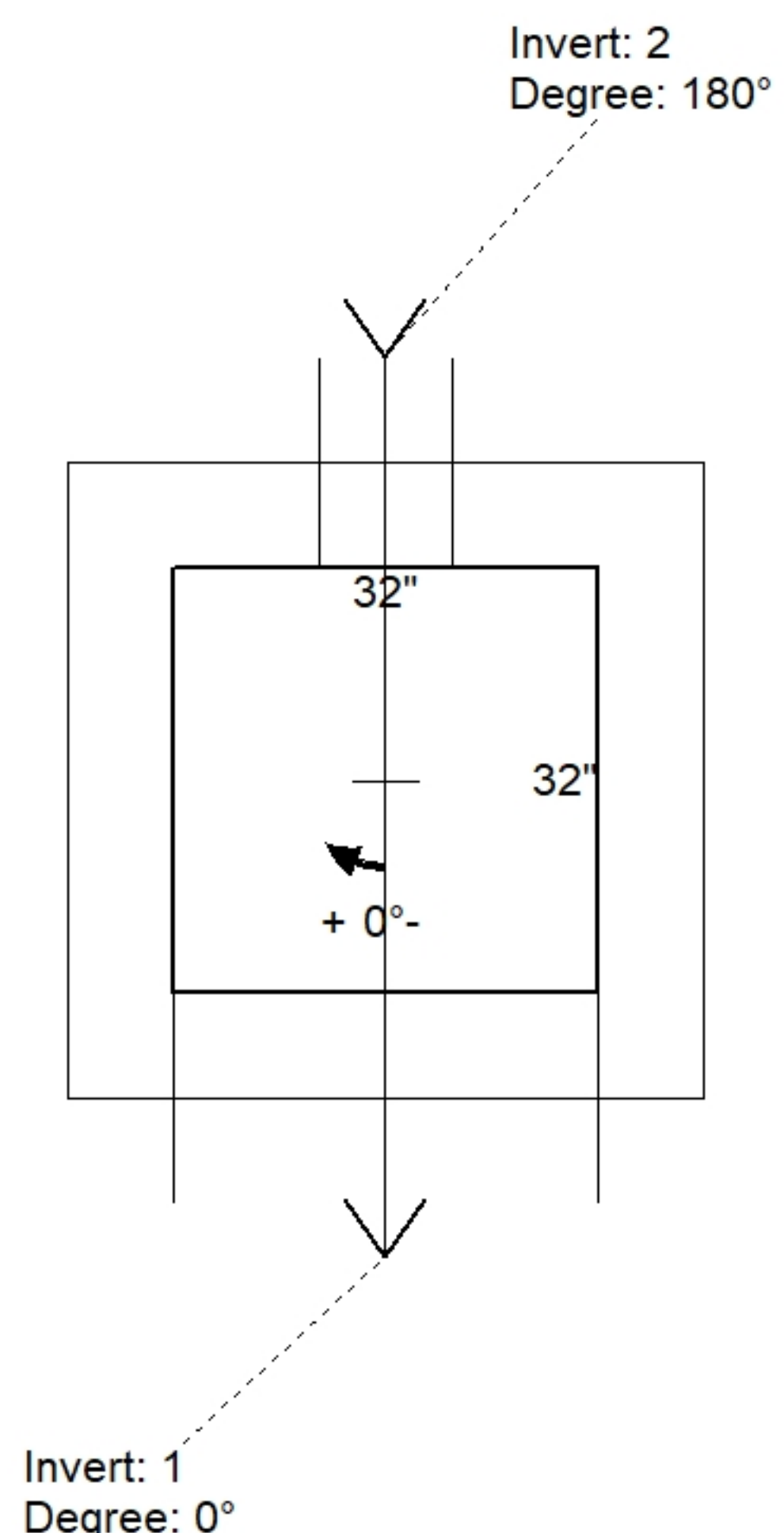
Floor (Bot): 501.333'
 Overall Height: 6.667'
 Slack: 0"

Structure Notes:

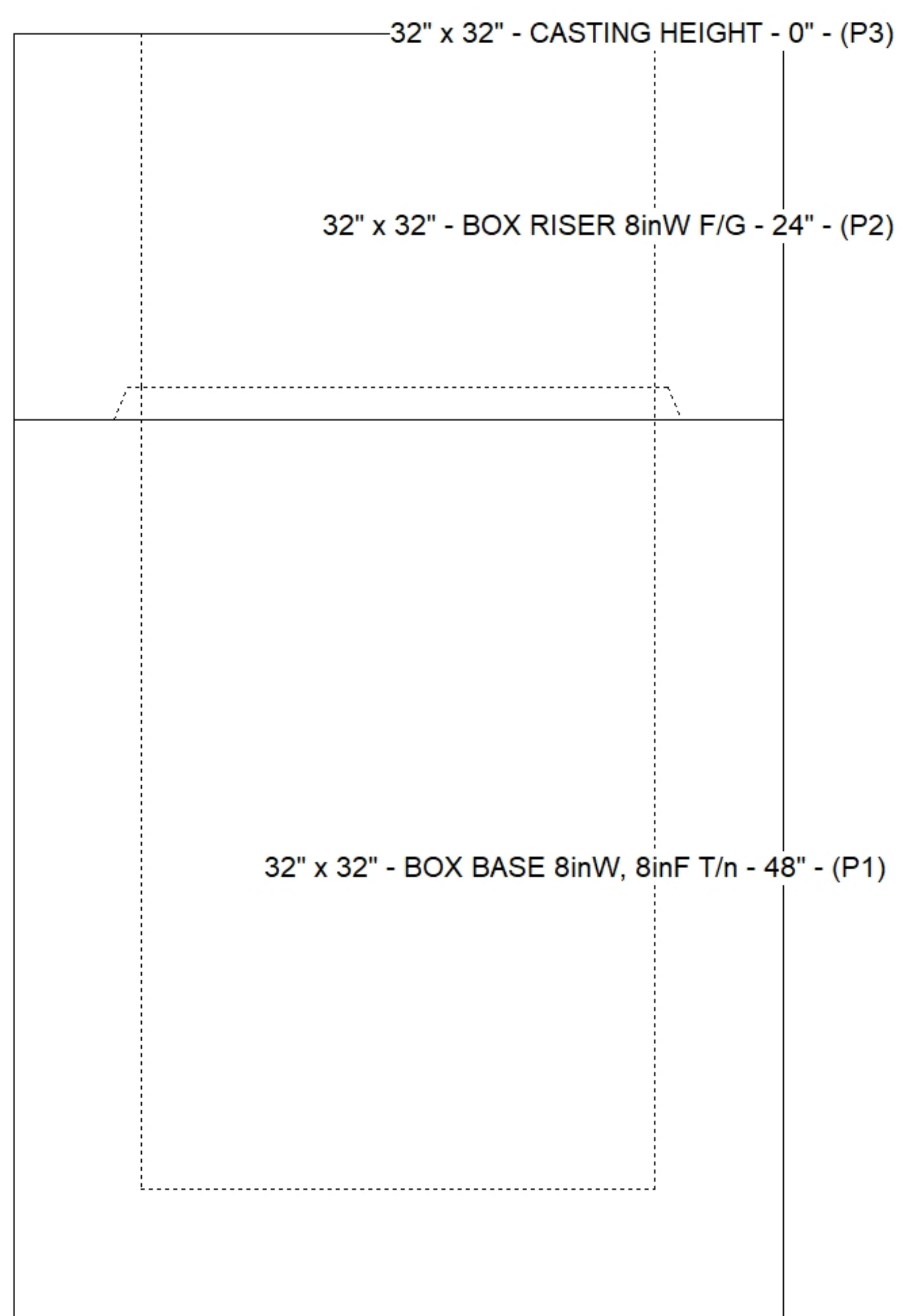
1. PER ASTM C913 SPECIFICATIONS.
 2. CONCRETE = 4,000 PSI AT 28 DAYS.
 3. NO INVERT CHANNEL.
 4. FLAT TRASH RACK BY OTHERS.
- REINFORCING PER ASTM A615 (GRADE 60).
 - WALLS (As .12) #5 BARS AT 12" C.C.E.W.
 - FLOOR (As .12) #5 BARS AT 12" C.C.E.W.

STRUCTURE SUMMARY:

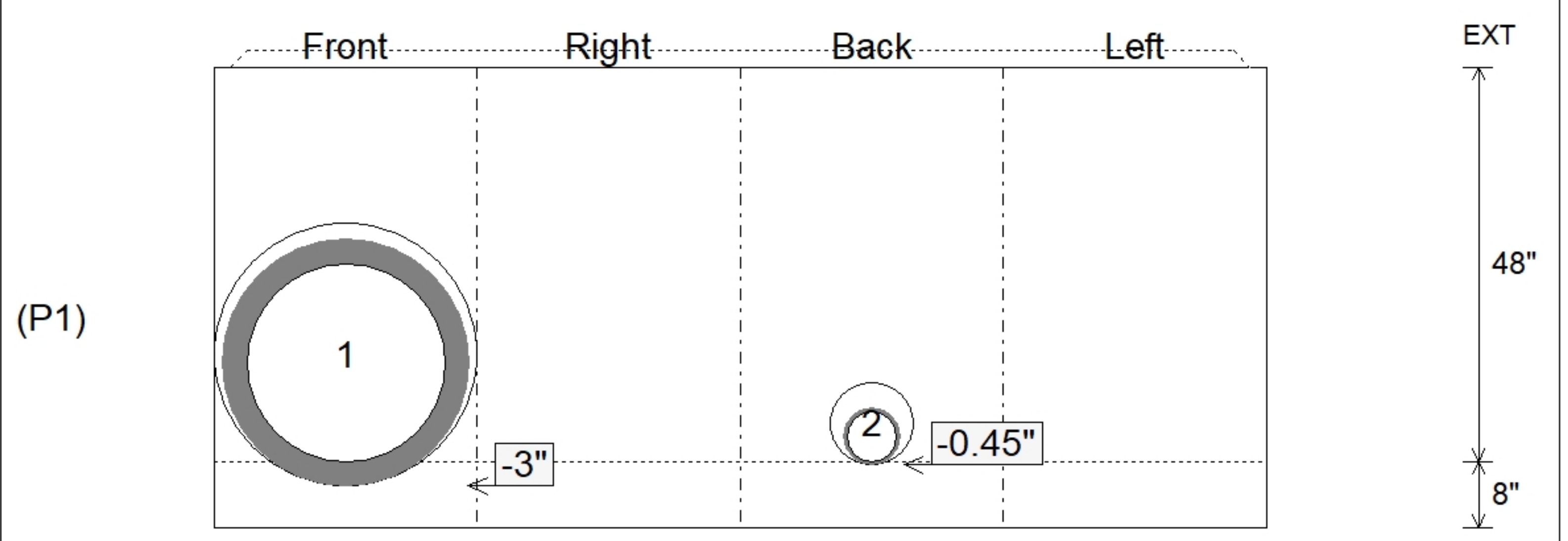
P3) 32" x 32" - CASTING HEIGHT - 0"	0 lb
P2) 32" x 32" - BOX RISER 8inW F/G - 24"	2578 lb
P1) 32" x 32" - BOX BASE 8inW, 8inF T/n - 48"	6245 lb
2) 32" x 32" - Conseal CS-102 1.00"	0 lb
1) Hole - 32	0 lb
1) Hole - 10	0 lb
Structure Total:	8822 lb



Position	Elev	Angle	Pipe	Pipe OD	Hole	Connector	Up ()	Ref
Rim	508'							
Reducer								
Invert 1	502'	0°	24" RCP B WALL	30"	32"	Hole 32	-3"	P1
Invert 2	502'	180°	6" HDPE (perf pipe)	6.9"	10"	Hole 10	-0.45"	P1
Invert 3								
Invert 4								
Invert 5								
Invert 6								
Invert 7								
Invert 8								



Default - Interior Dimensions



Submittal Drawing
 3/25/2026 8:36:18 AM

SUBMITTAL
 APPROVED BY: