

Job Name: 25-2647 Nichols West Job Location: Gallatin, TN Contractor: Hayes Pipe Supply	Plant: Beaver Dam 3/25/2026 8:37:12 AM	Tech: S. Felletter PC: E. Bradley	
---	---	--------------------------------------	--

Structure ID: B9

P2 BX3232-08R24

BOX RISER 8inW F/G

- P3) 32" x 32" - CASTING HEIGHT - 0"
- P2) 32" x 32" - BOX RISER 8inW F/G - 24"
- P1) 32" x 32" - BOX BASE 8inW, 8inF T/n - 48"
- 2) 32" x 32" - Conseal CS-102 1.00"
- 1) Hole - 32
- 1) Hole - 10

0 lb
2578 lb
6245 lb
0 lb
0 lb
0 lb

Structure Total: 8822 lb

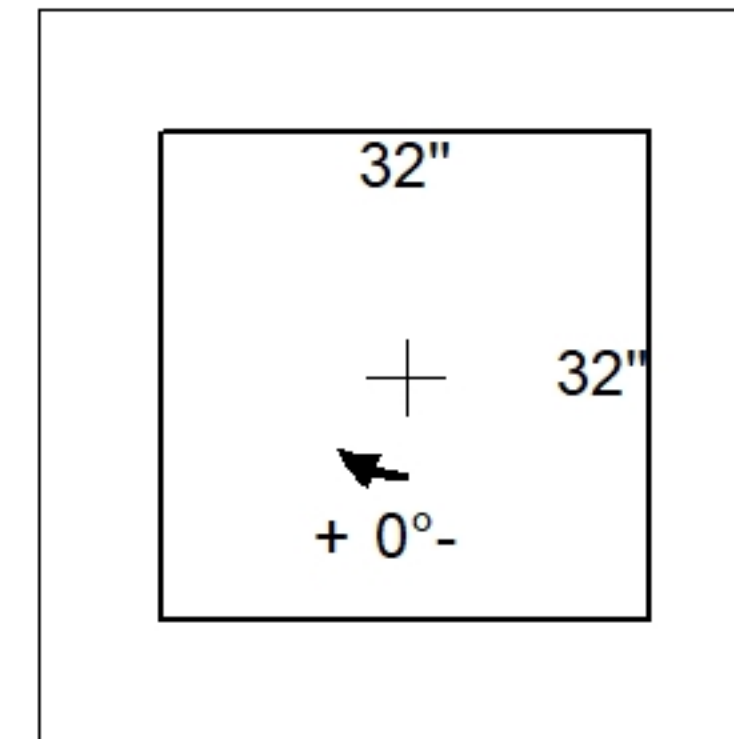
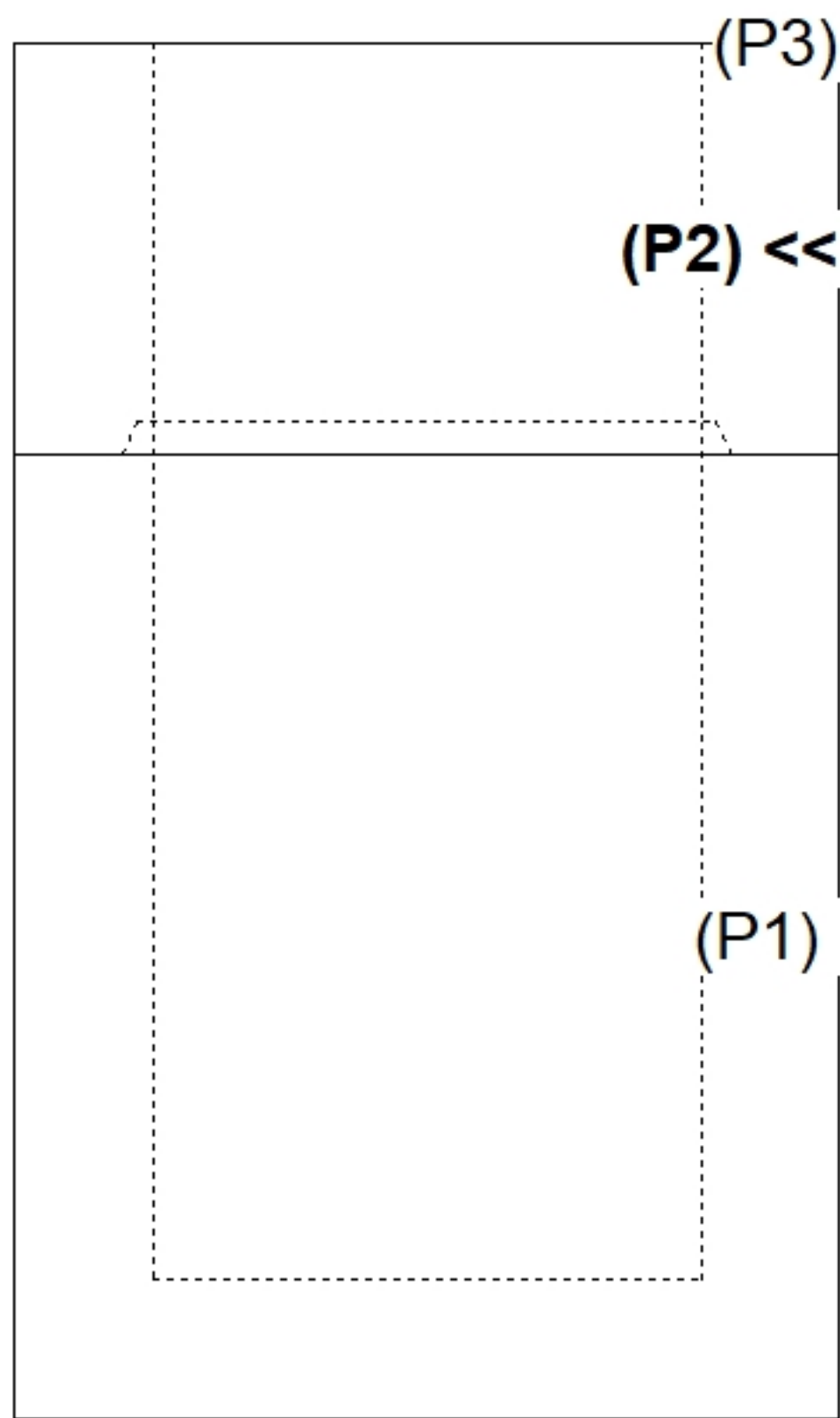
Structure Notes:
 1. PER ASTM C913 SPECIFICATIONS.
 2. CONCRETE = 4,000 PSI AT 28 DAYS.
 3. NO INVERT CHANNEL.
 4. FLAT TRASH RACK BY OTHERS.

REINFORCING PER ASTM A615 (GRADE 60).
 - WALLS (As .12) #5 BARS AT 12" C.C.E.W.
 - FLOOR (As .12) #5 BARS AT 12" C.C.E.W.

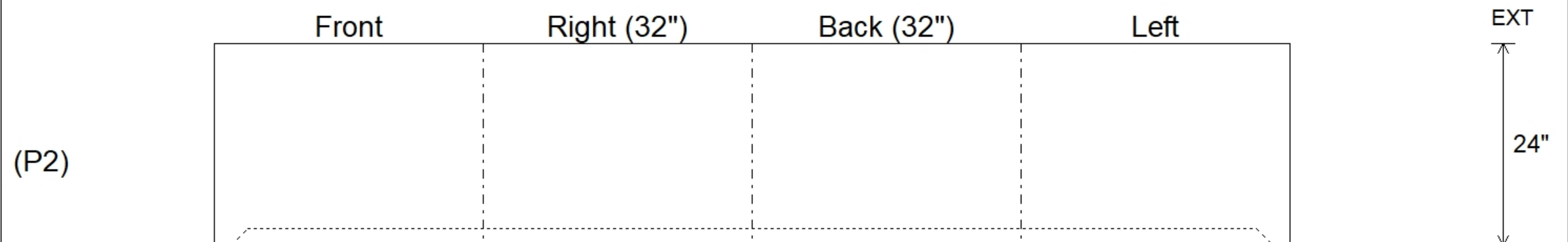
Rim: 508' Rim to Invert: 6' Slack: 0" Sump: 0" Step Position:

Position	Elev	Angle	Ext. (cw)	Pipe	Pipe OD	Connector	Hole	Horz Size	Up ()	Offset
Invert 1										
Invert 2										
Invert 3										
Invert 4										
Invert 5										
Invert 6										
Invert 7										
Invert 8										

RIGHT-SIDE UP VIEW (int. dimensions)



INSIDE WALL DIMENSIONS



Coating (Int): Coating (Ext):	Seam Up: Flat Seam Dn: Groove	Wall Thickness: 8" Floor Height: 0"	Height (Int): 24" Height (Ext): 24"	Weight (Net): 2578 lb Volume (Net): 0.66cu.yd
----------------------------------	----------------------------------	--	--	--