

**Structure ID: B1**

**P1 MH060BA72**

**MH BASE T/n**

P4) 28" x 28" - CASTING HEIGHT - 7.50" P3) 60" - MH FLAT TOP w/28"x28" Hole F/G - 13" P2) 60" - MH RISER Custom Ht T/G - 69" P1) 60" - MH BASE T/n - 72" 2) 60" - Conseal CS-102 1.00" 1) 28" x 28" - Conseal CS-102 1.00" 1) Hole - 40 1) Hole - 32 1) Hole - 22 6) MH Step ML-10-TDS-NCR - 10"	0 lb 2645 lb 6781 lb 9371 lb 0 lb 0 lb 0 lb 0 lb 0 lb 0 lb 0 lb 0 lb ----- <b>Structure Total: 18797 lb</b>
---	--

**Structure Notes:**

1. PER ASTM C478 SPECIFICATIONS.
2. CONCRETE = 4,000 PSI AT 28 DAYS.
3. CASTING BY OTHERS (JBS 3300).

REINFORCING PER ASTM A615 (GRADE 60).

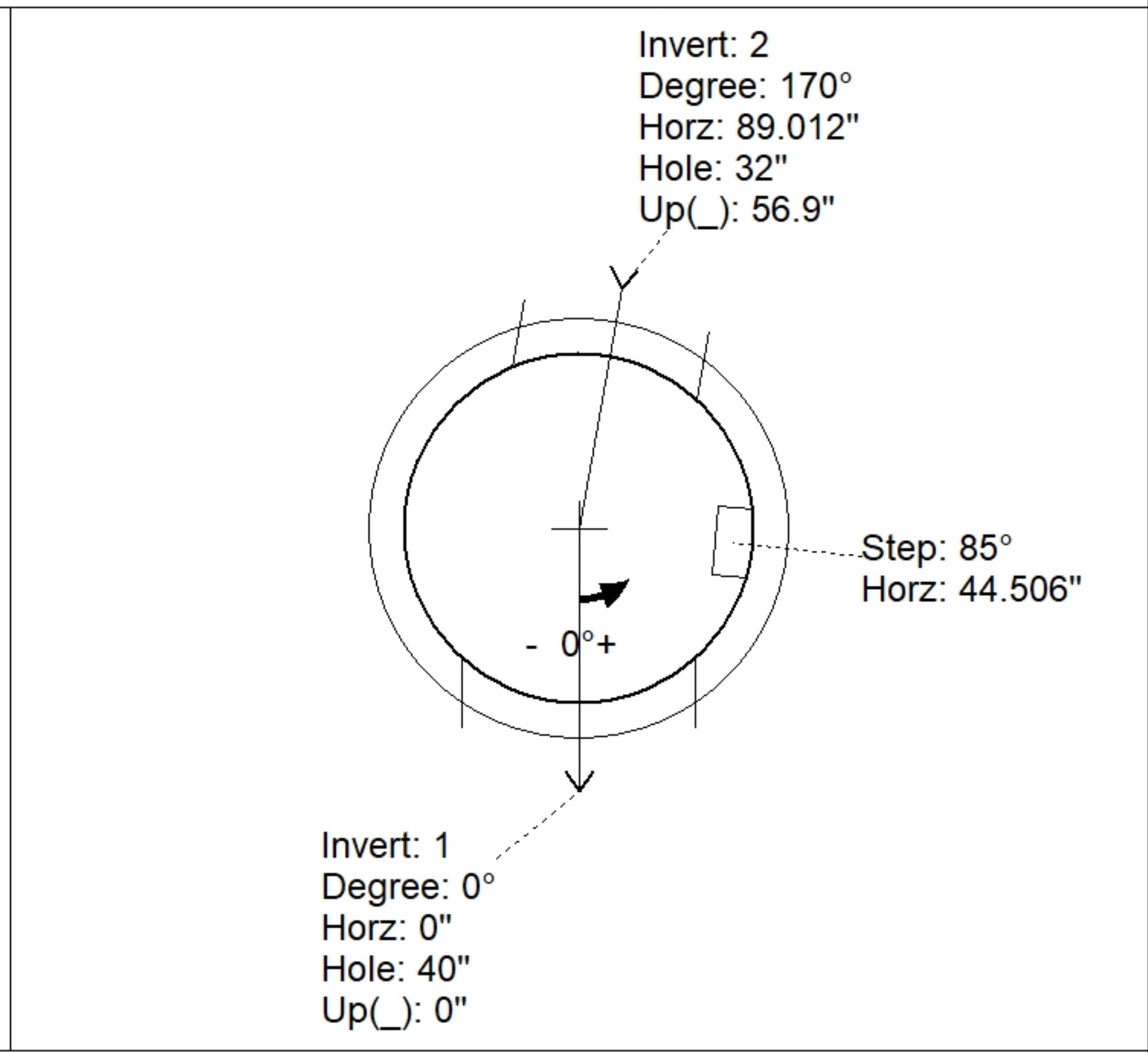
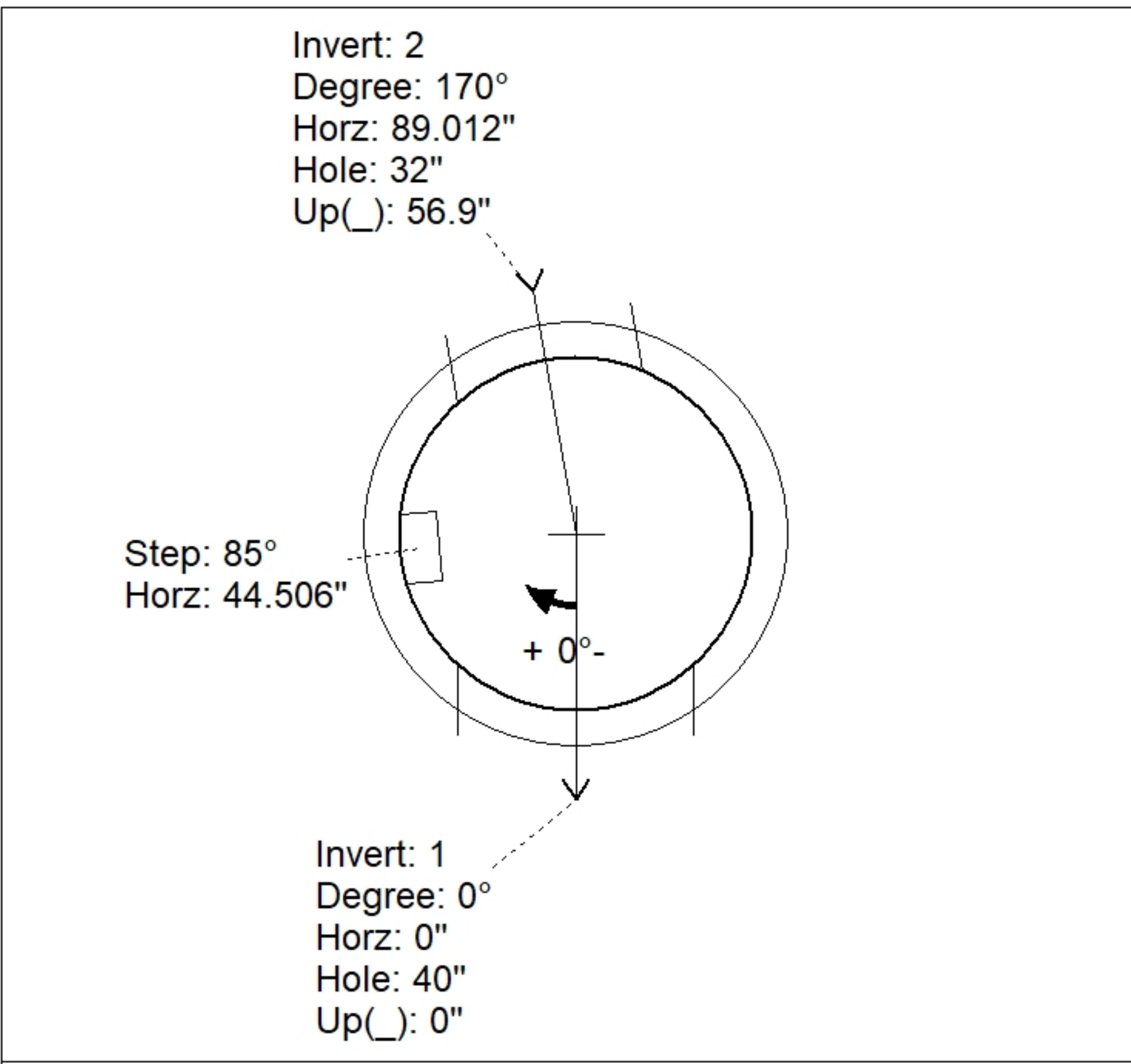
- TOP SLAB (As .62) #5 BARS AT 6" C.C.E.W..
- RISER/WALLS (As .18)
- FLOOR (As .37) #5 BARS AT 10" C.C.E.W.

Rim: 509'    Rim to Invert: 13.2'    Slack: 0.4"    Sump: 3.5"    Step Position: 85°

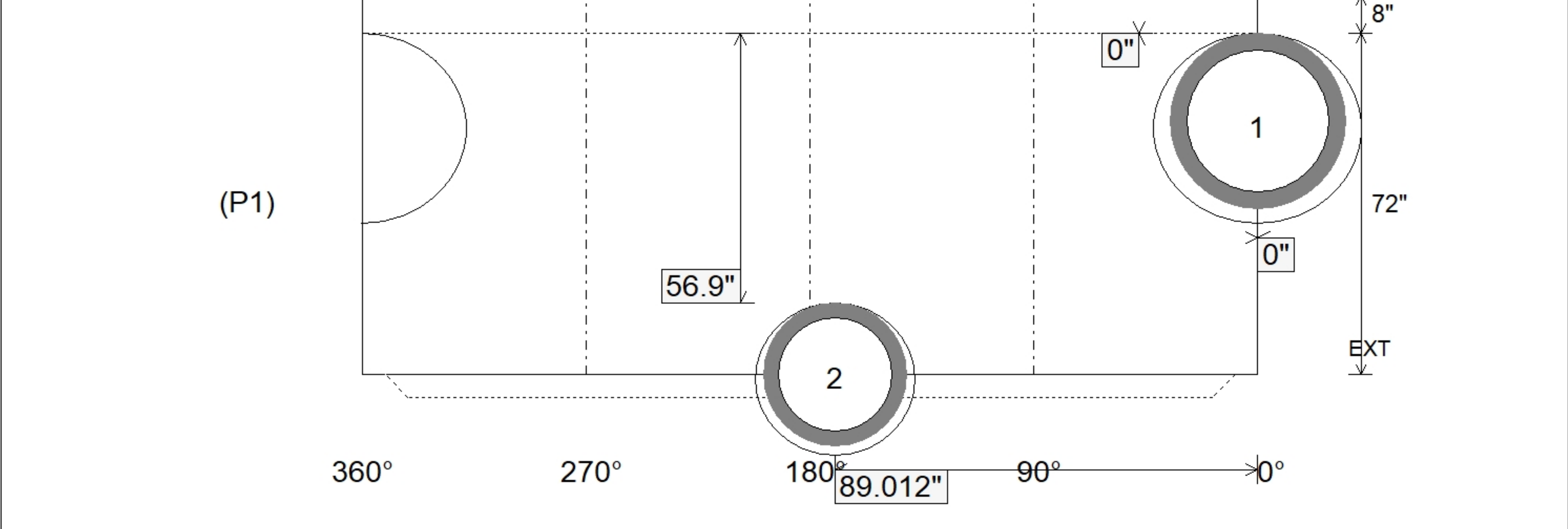
Position	Elev	Angle	Ext. (cw)	Pipe	Pipe OD	Connector	Hole	Horz Size	Up ( )	Offset
Invert 1	495.8'	0°	0"	30" RCP B WALL	37"	Hole 40	40"	43.784"	0"	0"
Invert 2	500.5'	170°	106.814"	24" RCP B WALL	30"	Hole 32	32"	33.752"	56.9"	0"
Invert 3										
Invert 4										
Invert 5										
Invert 6										
Invert 7										
Invert 8										

**RIGHT-SIDE UP VIEW (int. dimensions)**

**UPSIDE-DOWN VIEW (int. dimensions)**



**INSIDE WALL DIMENSIONS**



Coating (Int): Coating (Ext):	Seam Up: Tongue Seam Dn: n/a	Wall Thickness: 6" Floor Height: 8"	Height (Int): 72" Height (Ext): 80"	Weight (Net): 9371 lb Volume (Net): 2.39cu.yd
----------------------------------	---------------------------------	--	--	--