

Job Name: 25-2644B Limestone Edge Apartments  
 Job Location: Bedford, IN  
 Contractor: S&J Excavation

Plant: Beaver Dam  
 10/28/2025 2:38:45 PM

Tech: J. Coppage  
 PC: J. Jarvis



**Structure ID: STR-32**

**P1 BX2424-08BAVF**

**BOX BASE 8inW, 8inF, Variable Ht**

- P2) 24" x 24" - CASTING HEIGHT - 1"
- P1) 24" x 24" - BOX BASE 8inW, 8inF, Variable Ht - 30"
- 1) CASTING - EJ 6500 GRT
- 1) 24" x 24" - Conseal CS-102 1.00"
- 2) Hole - 18
- 1) Hole - 10

0 lb  
 3257 lb  
 250 lb  
 0 lb  
 0 lb  
 0 lb  
 -----  
 Structure Total: 3507 lb

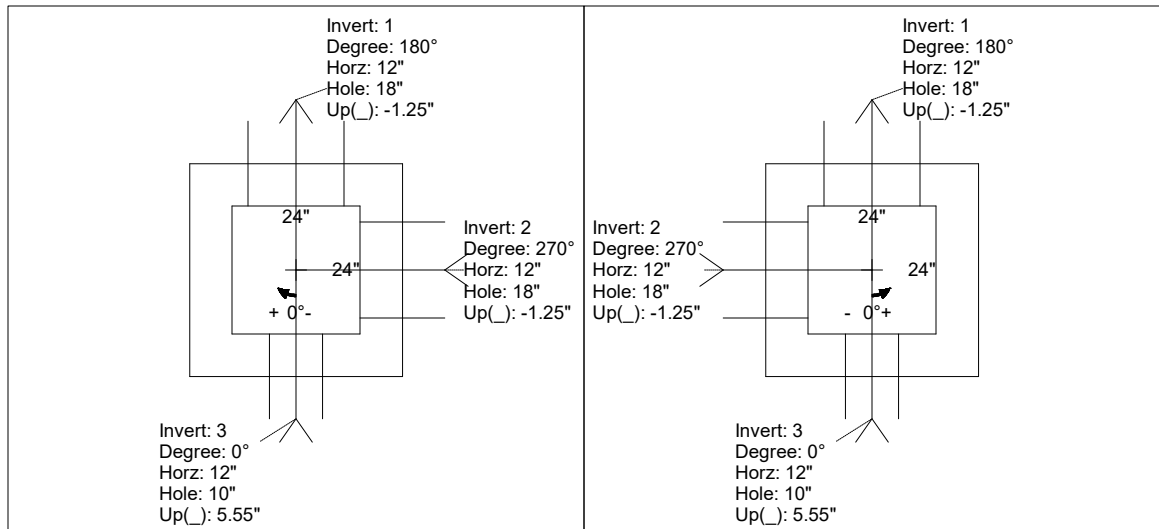
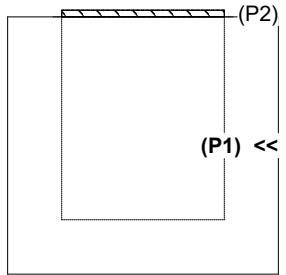
- Structure Notes:**
1. EJ-6500 GRATE PROVIDED BY ICAST.
  2. INDOT INLET TYPE A / ASTM C913 SPEC'S.
  3. CONCRETE = 4,000 PSI AT 28 DAYS.
  4. REINFORCING PER ASTM A615 (GRADE 60).  
 - WALLS (As .31) #5 BARS AT 12" C.C.E.W.  
 - FLOOR (As .31) #5 BARS AT 12" C.C.E.W.

Rim: 643' Rim to Invert: 2.64' Slack: 0.68' Sump: 0" Step Position:

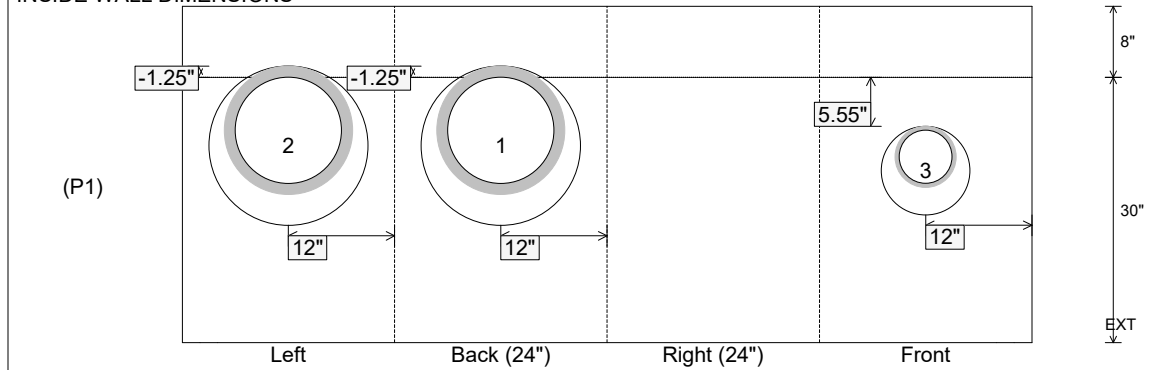
Position	Elev	Angle	Ext. (cw)	Pipe	Pipe OD	Connector	Hole	Horz Size	Up ( )	Offset
Invert 1	640.36'	180°	20"	12" HDPE	14.5"	Hole 18	18"	18"	-1.25"	0"
Invert 2	640.36'	270°	20"	12" HDPE	14.5"	Hole 18	18"	18"	-1.25"	0"
Invert 3	640.86'	0°	20"	6" HDPE	6.9"	Hole 10	10"	10"	5.55"	0"
Invert 4										
Invert 5										
Invert 6										
Invert 7										
Invert 8										

RIGHT-SIDE UP VIEW (int. dimensions)

UPSIDE-DOWN VIEW (int. dimensions)



INSIDE WALL DIMENSIONS



Coating (Int): Coating (Ext):	Seam Up: Flat Seam Dn: n/a	Wall Thickness: 8" Floor Height: 8"	Height (Int): 30" Height (Ext): 38"	Weight (Net): 3257 lb Volume (Net): 0.83cu.yd
----------------------------------	-------------------------------	--	--	--