

Job Name: 25-2644B Limestone Edge Apartments
 Job Location: Bedford, IN
 Contractor: S&J Excavation

Plant: Beaver Dam
 10/28/2025 2:38:40 PM

Tech: J. Coppage
 PC: J. Jarvis



Structure ID: STR-19

P1 BX2424-08BAVF

BOX BASE 8inW, 8inF, Variable Ht

- P2) 24" x 24" - CASTING HEIGHT - 1"
- P1) 24" x 24" - BOX BASE 8inW, 8inF, Variable Ht - 25"
- 1) CASTING - EJ 6500 GRT
- 1) 24" x 24" - Conseal CS-102 1.00"
- 1) Hole - 18

0 lb
 3051 lb
 250 lb
 0 lb
 0 lb

 0 lb
 Structure Total: 3301 lb

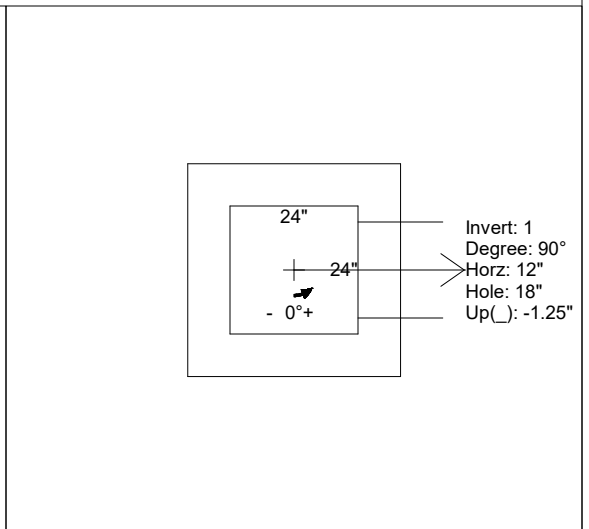
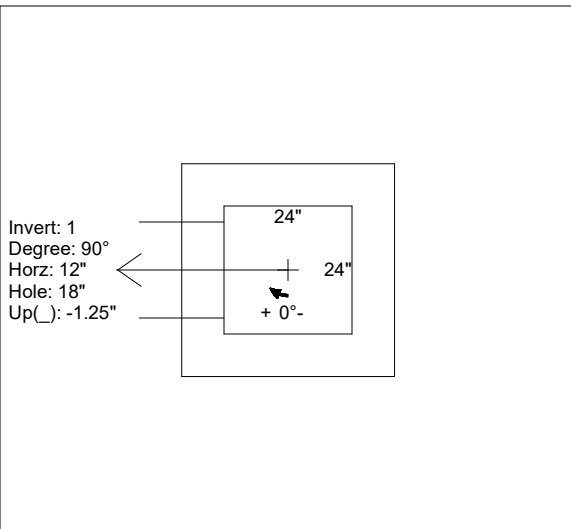
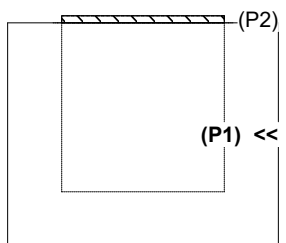
- Structure Notes:**
1. EJ-6500 GRATE PROVIDED BY ICAST.
 2. INDOT INLET TYPE A / ASTM C913 SPEC'S.
 3. CONCRETE = 4,000 PSI AT 28 DAYS.
 4. REINFORCING PER ASTM A615 (GRADE 60).
 - WALLS (As .31) #5 BARS AT 12" C.C.E.W.
 - FLOOR (As .31) #5 BARS AT 12" C.C.E.W.

Rim: 643.78' Rim to Invert: 2.17' Slack: 0.04" Sump: 0" Step Position:

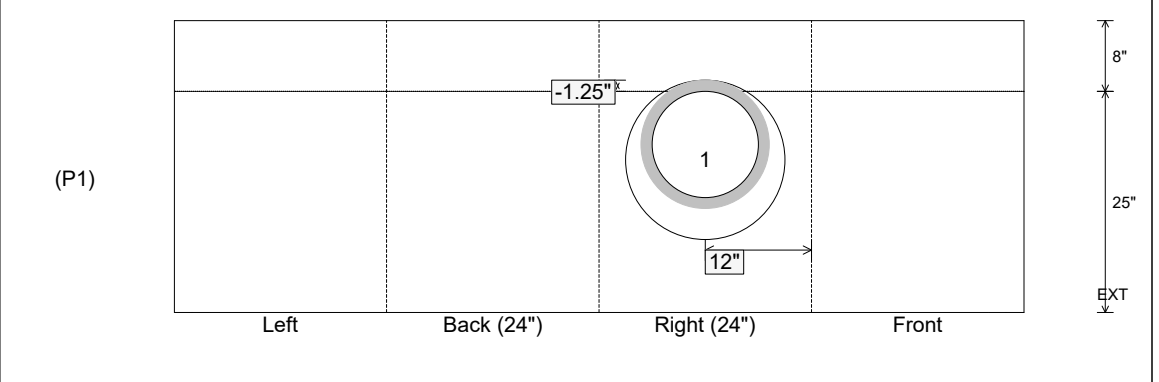
Position	Elev	Angle	Ext. (cw)	Pipe	Pipe OD	Connector	Hole	Horz Size	Up ()	Offset
Invert 1	641.61'	90°	20"	12" HDPE	14.5"	Hole 18	18"	18"	-1.25"	0"
Invert 2										
Invert 3										
Invert 4										
Invert 5										
Invert 6										
Invert 7										
Invert 8										

RIGHT-SIDE UP VIEW (int. dimensions)

UPSIDE-DOWN VIEW (int. dimenions)



INSIDE WALL DIMENSIONS



Coating (Int): Coating (Ext):	Seam Up: Flat Seam Dn: n/a	Wall Thickness: 8" Floor Height: 8"	Height (Int): 25" Height (Ext): 33"	Weight (Net): 3051 lb Volume (Net): 0.78cu.yd
----------------------------------	-------------------------------	--	--	--