

Job Name: 25-2644B Limestone Edge Apartments  
 Job Location: Bedford, IN  
 Contractor: S&J Excavation

Plant: Beaver Dam

10/28/2025 2:32:29 PM

Tech: J. Coppage

PC: J. Jarvis



**Structure ID: STR-17**

**P1 BX2424-08BAVF**

**BOX BASE 8inW, 8inF, Variable Ht**

- P2) 24" x 24" - CASTING HEIGHT - 1"
- P1) 24" x 24" - BOX BASE 8inW, 8inF, Variable Ht - 35"
- 1) CASTING - EJ 6500 GRT
- 1) 24" x 24" - Conseal CS-102 1.00"
- 2) Hole - 18
- 1) Hole - 10

Structure Total: 3937 lb

**Structure Notes:**

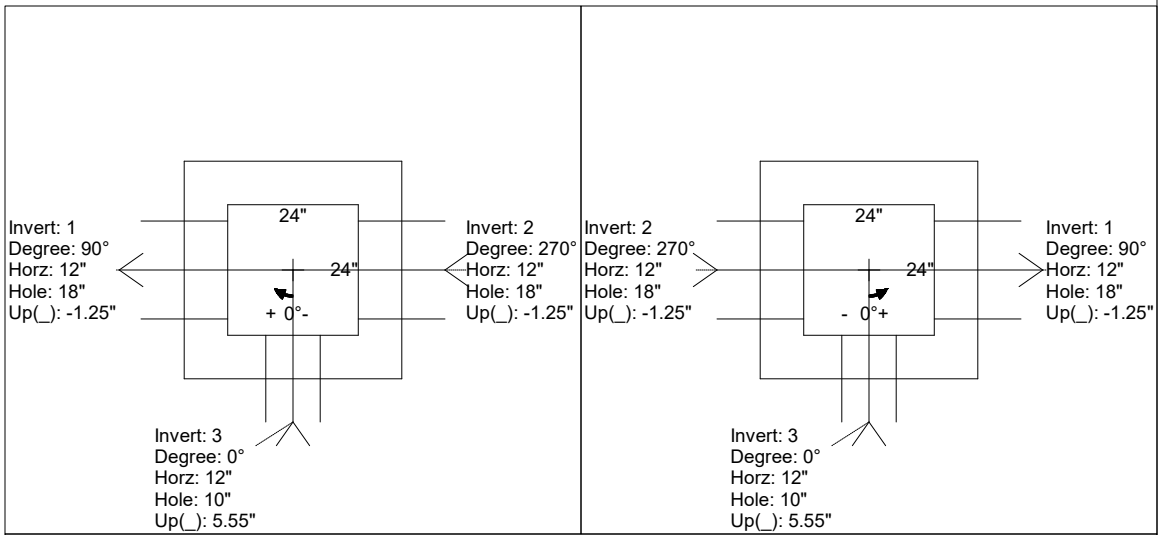
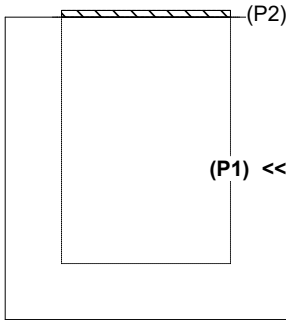
- 1. EJ-6500 GRATE PROVIDED BY ICAST.
- 2. INDOT INLET TYPE A / ASTM C913 SPEC'S.
- 3. CONCRETE = 4,000 PSI AT 28 DAYS.
- 4. REINFORCING PER ASTM A615 (GRADE 60).
- WALLS (As .31) #5 BARS AT 12" C.C.E.W.
- FLOOR (As .31) #5 BARS AT 12" C.C.E.W.

Rim: 643.52' Rim to Invert: 3.05' Slack: 0.6" Sump: 0" Step Position:

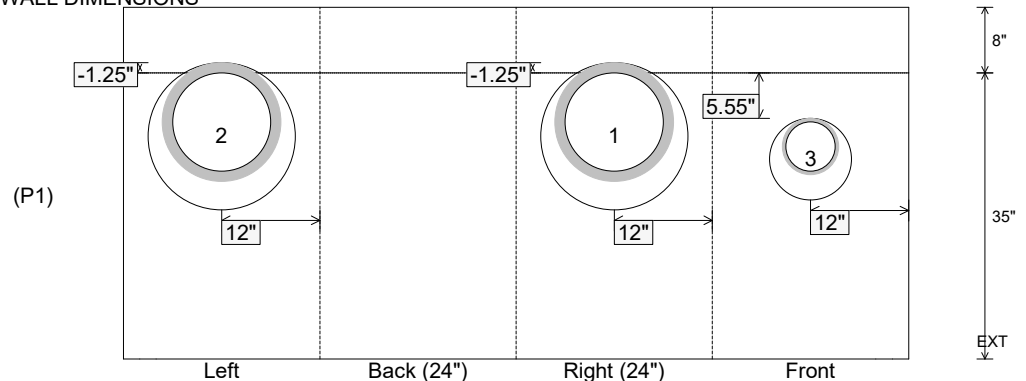
Position	Elev	Angle	Ext. (cw)	Pipe	Pipe OD	Connector	Hole	Horz Size	Up ( )	Offset
Invert 1	640.47'	90°	20"	12" HDPE	14.5"	Hole 18	18"	18"	-1.25"	0"
Invert 2	640.47'	270°	20"	12" HDPE	14.5"	Hole 18	18"	18"	-1.25"	0"
Invert 3	640.97'	0°	20"	6" HDPE	6.9"	Hole 10	10"	10"	5.55"	0"
Invert 4										
Invert 5										
Invert 6										
Invert 7										
Invert 8										

RIGHT-SIDE UP VIEW (int. dimensions)

UPSIDE-DOWN VIEW (int. dimensions)



INSIDE WALL DIMENSIONS



Coating (Int):  
 Coating (Ext):

Seam Up: Flat  
 Seam Dn: n/a

Wall Thickness: 8"  
 Floor Height: 8"

Height (Int): 35"  
 Height (Ext): 43"

Weight (Net): 3687 lb  
 Volume (Net): 0.94cu.yd