

Job Name: 25-2644B Limestone Edge Apartments
Job Location: Bedford, IN
Contractor: S&J Excavation

PC: J. Jarvis
 TECH: J. Coppage
 Plant: Beaver Dam



Structure ID: **STR-16**
 Spec: INDOT
 Type: INLET TYPE A
 Size: 24" x 24"

Rim: 642.78'
 Invert: 639.98'
 Rim to Invert: 2.8'

Sump: 0"
 Floor (Top): 639.98'
 Floor Height: 8"

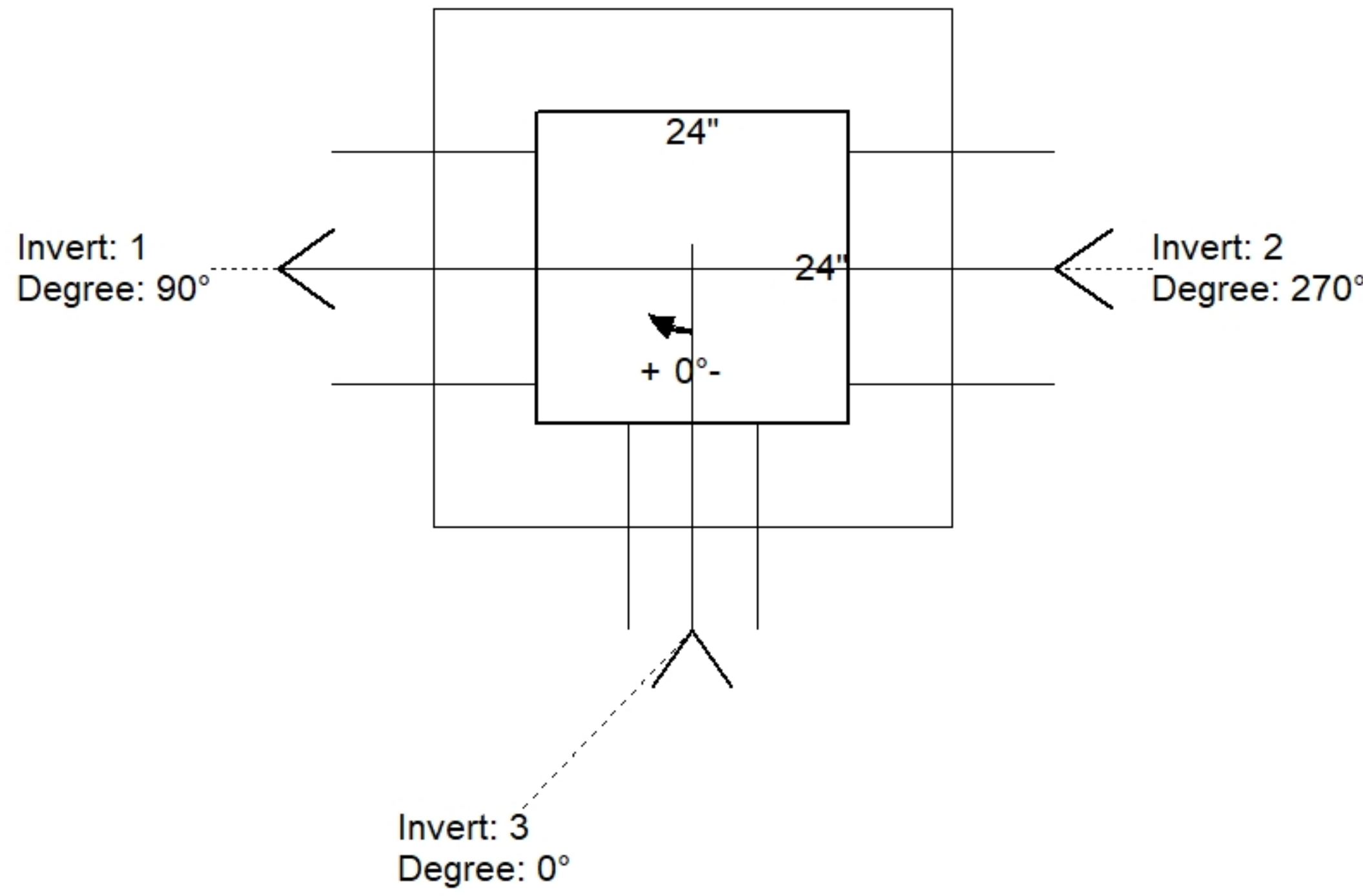
Floor (Bot): 639.313'
 Overall Height: 3.417'
 Slack: 0.6"

Structure Notes:

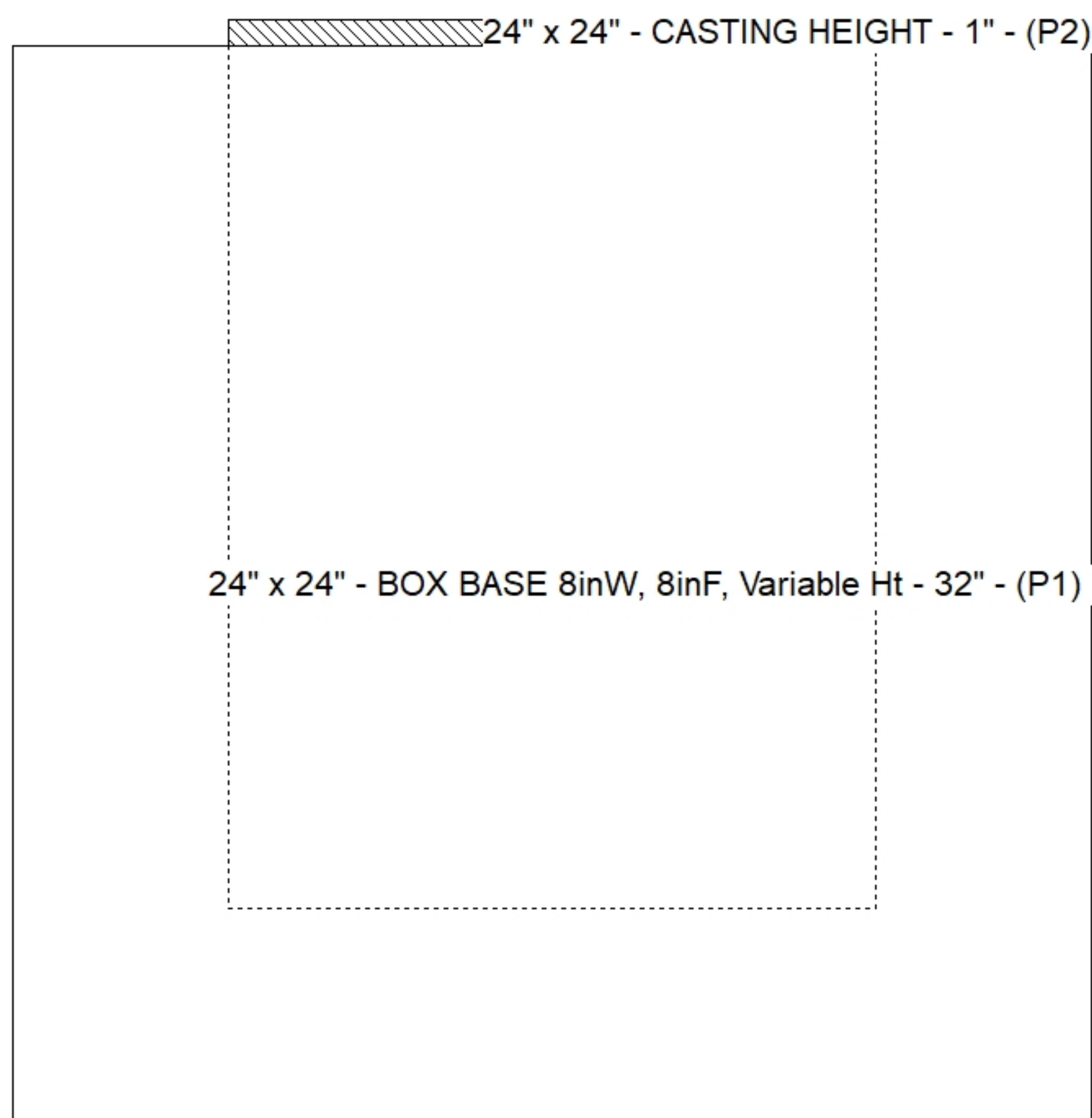
1. EJ-6500 GRATE PROVIDED BY ICAST.
2. INDOT INLET TYPE A / ASTM C913 SPEC'S.
3. CONCRETE = 4,000 PSI AT 28 DAYS.
4. REINFORCING PER ASTM A615 (GRADE 60).
 - WALLS (As .31) #5 BARS AT 12" C.C.E.W.
 - FLOOR (As .31) #5 BARS AT 12" C.C.E.W.

STRUCTURE SUMMARY:

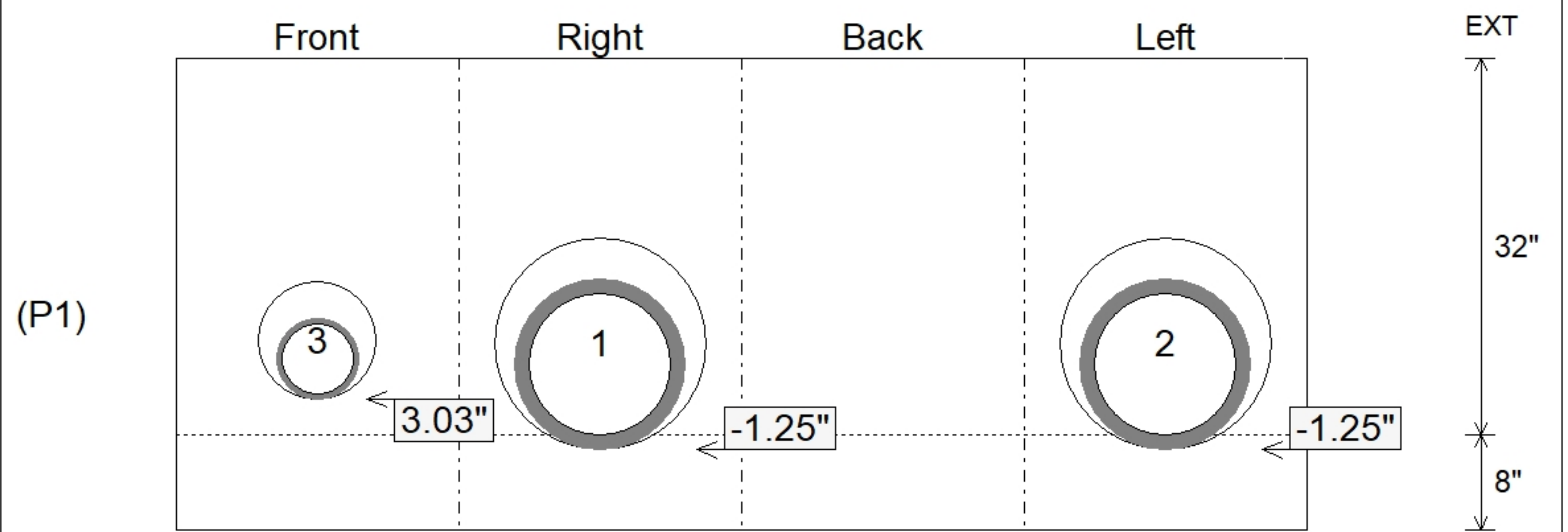
P2) 24" x 24" - CASTING HEIGHT - 1"	0 lb
P1) 24" x 24" - BOX BASE 8inW, 8inF, Variable Ht - 32"	3429 lb
1) CASTING - EJ 6500 GRT	250 lb
1) 24" x 24" - Conseal CS-102 1.00"	0 lb
2) Hole - 18	0 lb
1) Hole - 10	0 lb
Structure Total:	3679 lb



Position	Elev	Angle	Pipe	Pipe OD	Hole	Connector	Up ()	Ref
Rim	642.78'							
Reducer								
Invert 1	639.98'	90°	12" HDPE	14.5"	18"	Hole 18	-1.25"	P1
Invert 2	639.98'	270°	12" HDPE	14.5"	18"	Hole 18	-1.25"	P1
Invert 3	640.27'	0°	6" HDPE	6.9"	10"	Hole 10	3.03"	P1
Invert 4								
Invert 5								
Invert 6								
Invert 7								
Invert 8								



Default - Interior Dimensions



Submittal Drawing
 10/28/2025 2:30:29 PM

SUBMITTAL
 APPROVED BY: