

Job Name: 25-2644 Limestone Edge Apartments
Job Location: Bedford, IN
Contractor: S&J Excavation

PC: J. Jarvis
 TECH: J. Coppage
 Plant: Beaver Dam



Structure ID: **STR-36**
 Spec: INDOT
 Type: INLET TYPE A
 Size: 24" x 24"

Rim: 642'
 Invert: 639.5'
 Rim to Invert: 2.5'

Sump: 0"
 Floor (Top): 639.5'
 Floor Height: 8"

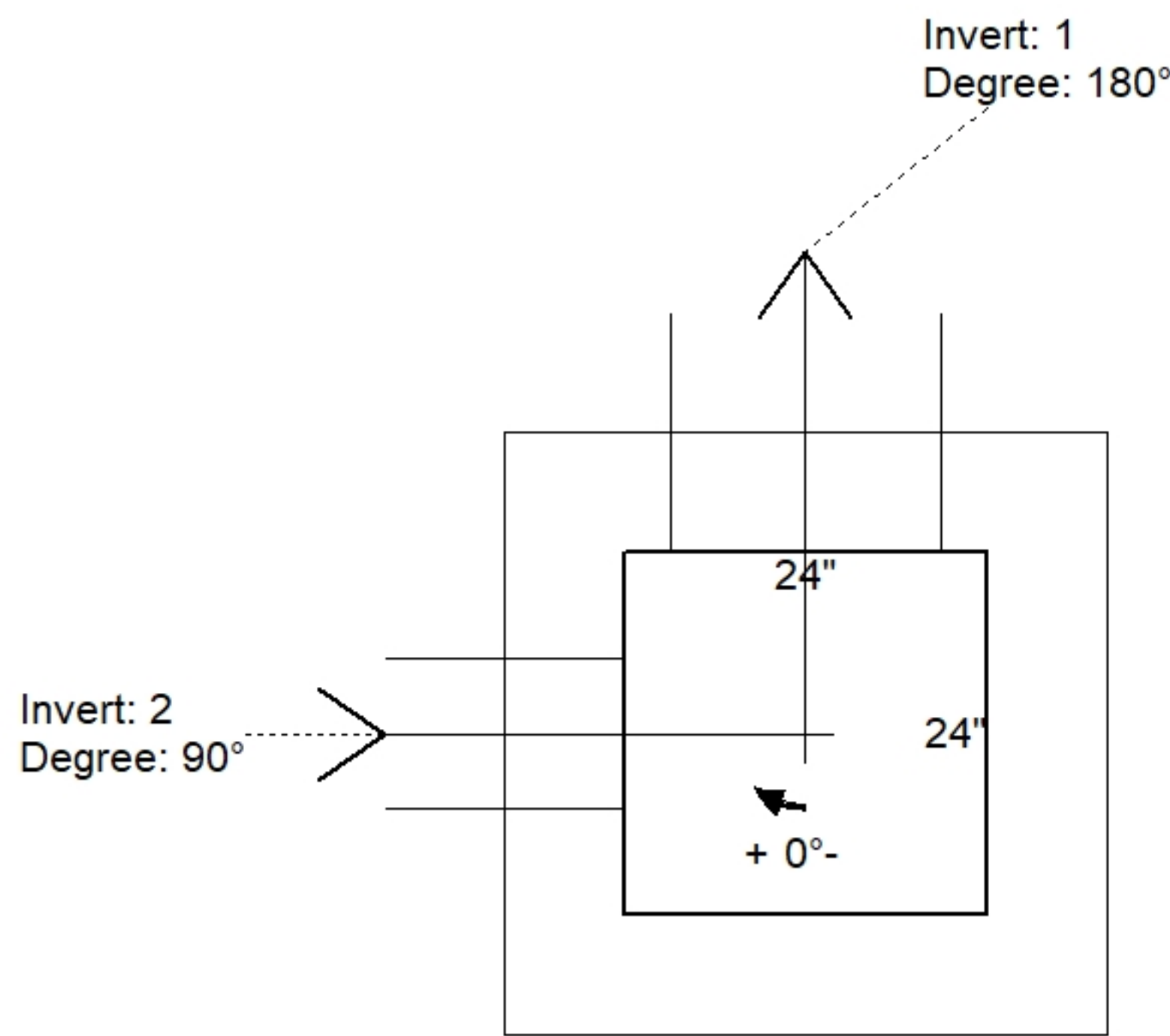
Floor (Bot): 638.833'
 Overall Height: 3.167'
 Slack: 0"

Structure Notes:

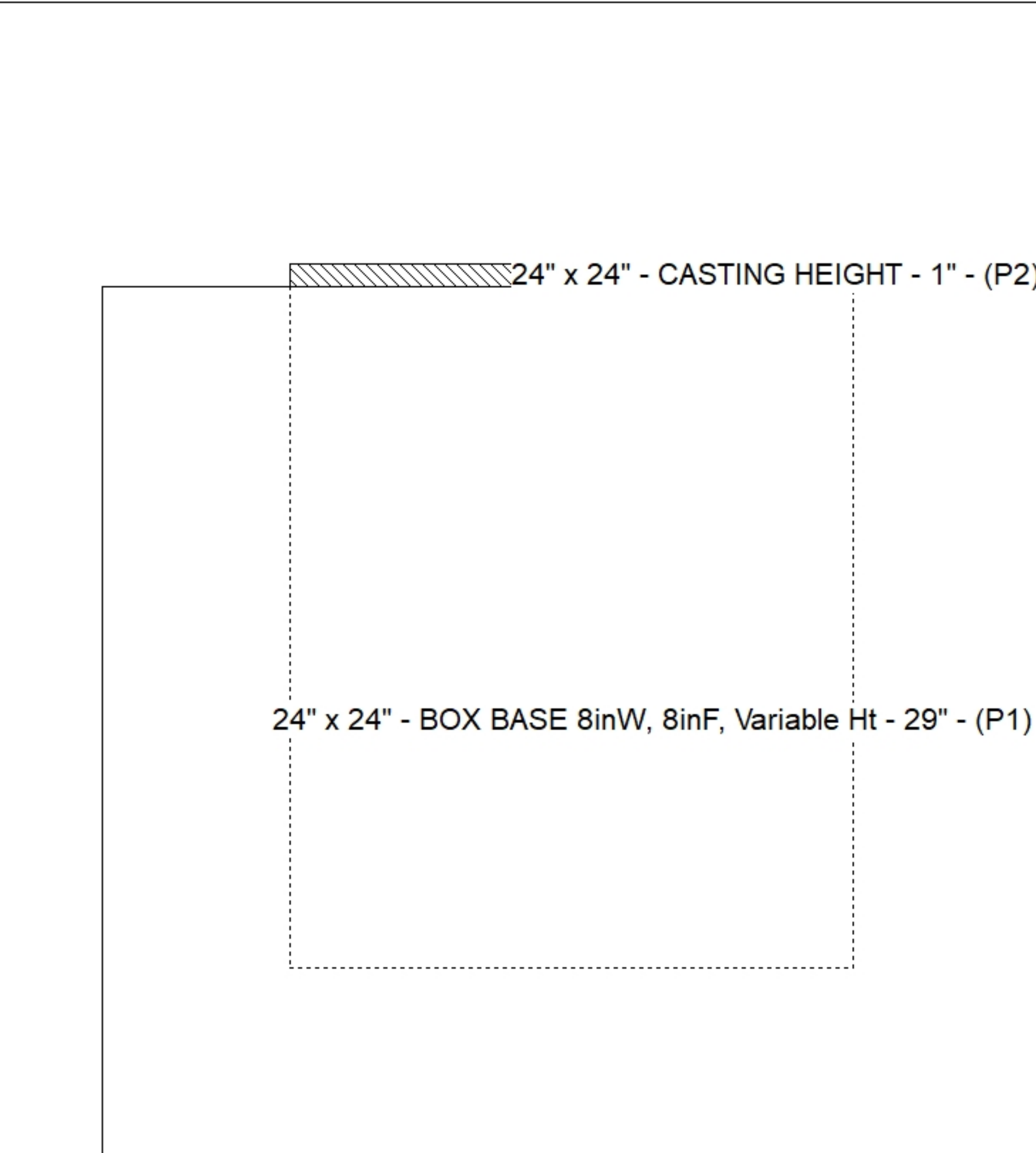
1. EJ-6500 GRATE PROVIDED BY ICAST.
2. INDOT INLET TYPE A / ASTM C913 SPEC'S.
3. CONCRETE = 4,000 PSI AT 28 DAYS.
4. REINFORCING PER ASTM A615 (GRADE 60).
 - WALLS (As .31) #5 BARS AT 12" C.C.E.W.
 - FLOOR (As .31) #5 BARS AT 12" C.C.E.W.

STRUCTURE SUMMARY:

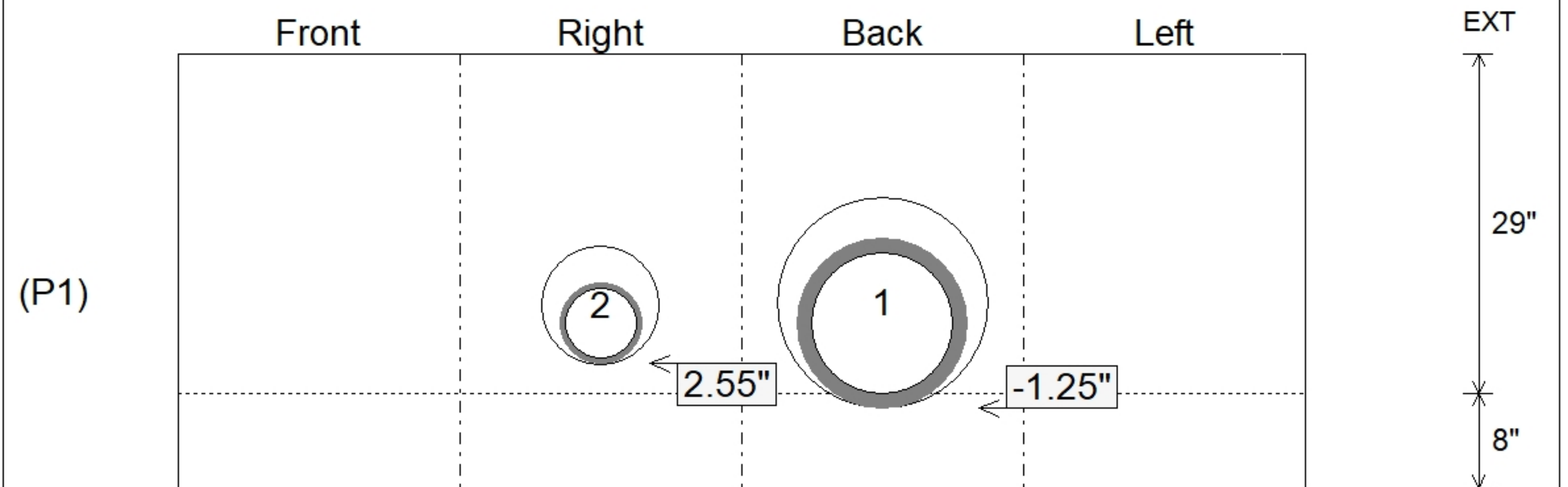
P2) 24" x 24" - CASTING HEIGHT - 1"	0 lb
P1) 24" x 24" - BOX BASE 8inW, 8inF, Variable Ht - 29"	3342 lb
1) CASTING - EJ 6500 GRT	250 lb
1) 24" x 24" - Conseal CS-102 1.00"	0 lb
1) Hole - 18	0 lb
1) Hole - 10	0 lb
Structure Total:	3592 lb



Position	Elev	Angle	Pipe	Pipe OD	Hole	Connector	Up ()	Ref
Rim	642'							
Reducer								
Invert 1	639.5'	180°	12" HDPE	14.5"	18"	Hole 18	-1.25"	P1
Invert 2	639.75'	90°	6" HDPE	6.9"	10"	Hole 10	2.55"	P1
Invert 3								
Invert 4								
Invert 5								
Invert 6								
Invert 7								
Invert 8								



Default - Interior Dimensions



Submittal Drawing
 10/13/2025 9:11:18 AM

SUBMITTAL
 APPROVED BY: