

Job Name: 25-2644 Limestone Edge Apartments
Job Location: Bedford, IN
Contractor: S&J Excavation

PC: J. Jarvis
 TECH: J. Coppage
 Plant: Beaver Dam



Structure ID: **STR-19**
 Spec: INDOT
 Type: INLET TYPE A
 Size: 24" x 24"

Rim: 643.78'
 Invert: 641.61'
 Rim to Invert: 2.17'

Sump: 0"
 Floor (Top): 641.61'
 Floor Height: 8"

Floor (Bot): 640.943'
 Overall Height: 2.833'
 Slack: 0.04"

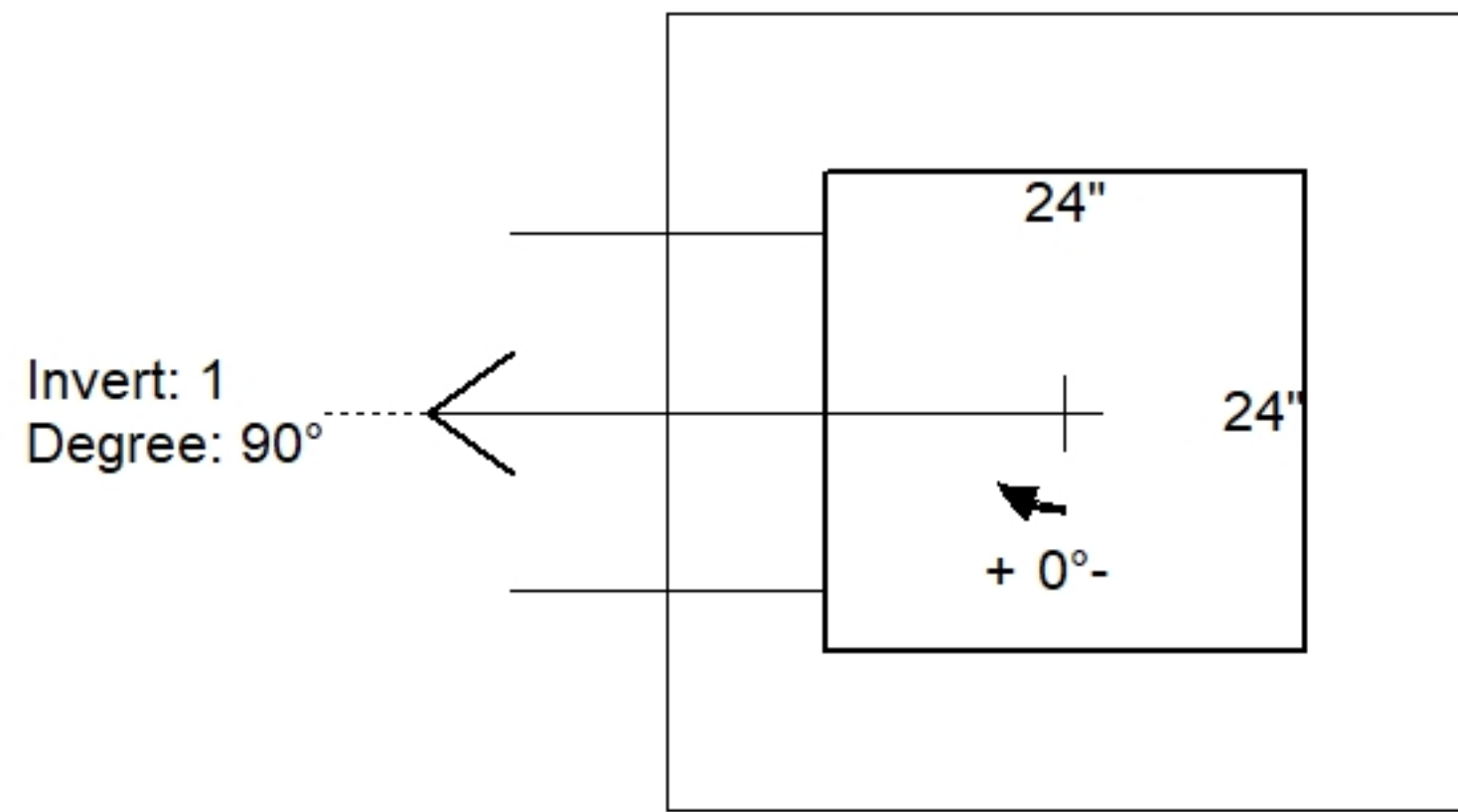
Structure Notes:

1. EJ-6500 GRATE PROVIDED BY ICAST.
2. INDOT INLET TYPE A / ASTM C913 SPEC'S.
3. CONCRETE = 4,000 PSI AT 28 DAYS.
4. REINFORCING PER ASTM A615 (GRADE 60).
 - WALLS (As .31) #5 BARS AT 12" C.C.E.W.
 - FLOOR (As .31) #5 BARS AT 12" C.C.E.W.

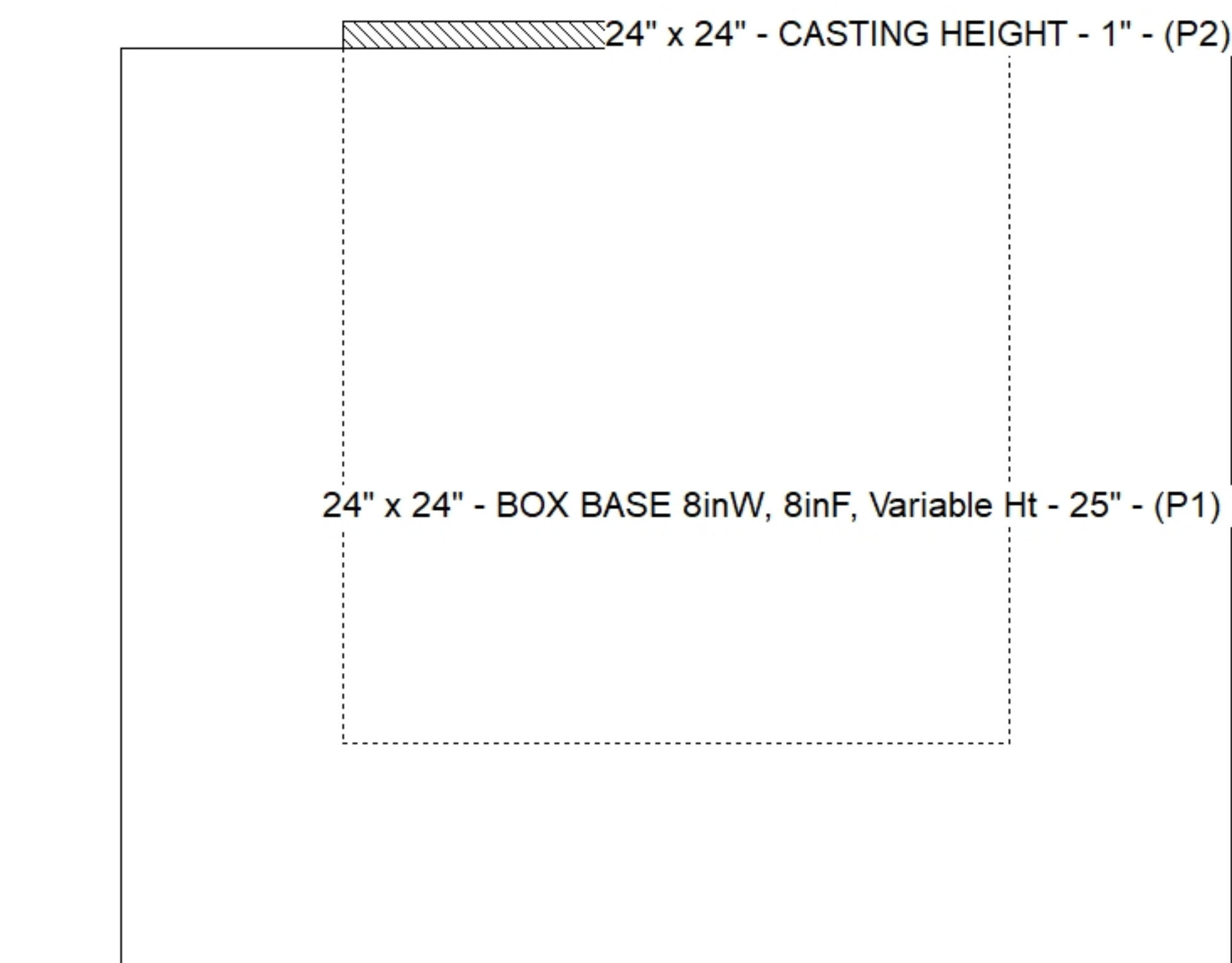
STRUCTURE SUMMARY:

P2) 24" x 24" - CASTING HEIGHT - 1"	0 lb
P1) 24" x 24" - BOX BASE 8inW, 8inF, Variable Ht - 25"	3051 lb
1) CASTING - EJ 6500 GRT	250 lb
1) 24" x 24" - Conseal CS-102 1.00"	0 lb
1) Hole - 18	0 lb

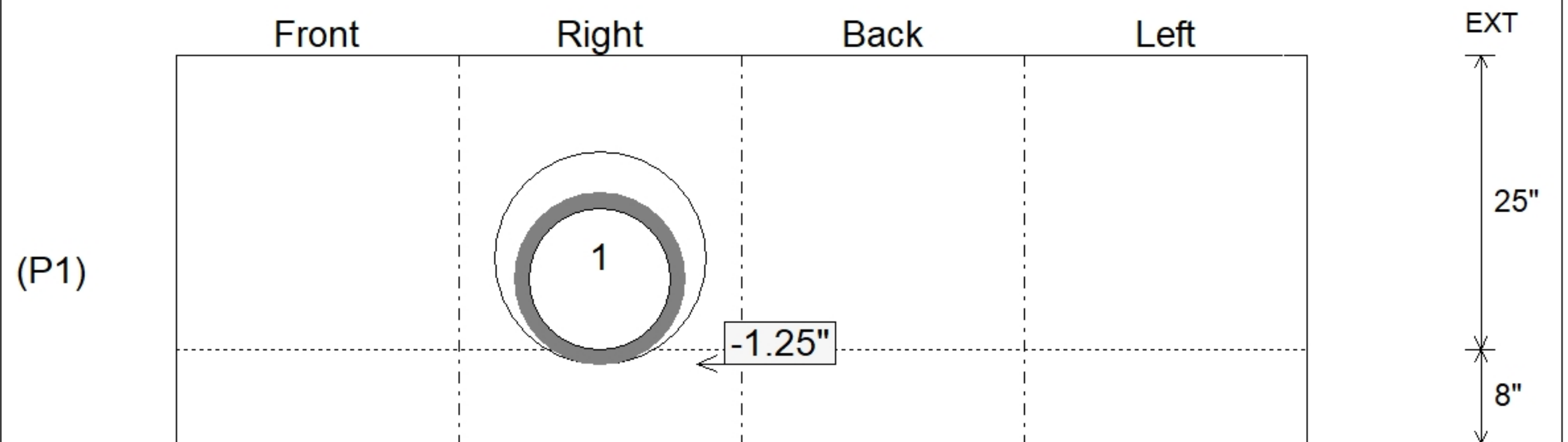
Structure Total:	3301 lb



Position	Elev	Angle	Pipe	Pipe OD	Hole	Connector	Up ()	Ref
Rim	643.78'							
Reducer								
Invert 1	641.61'	90°	12" HDPE	14.5"	18"	Hole 18	-1.25"	P1
Invert 2								
Invert 3								
Invert 4								
Invert 5								
Invert 6								
Invert 7								
Invert 8								



Default - Interior Dimensions



Submittal Drawing
 10/13/2025 9:11:14 AM

SUBMITTAL
 APPROVED BY: