

Job Name: 25-2644 Limestone Edge Apartments
 Job Location: Bedford, IN
 Contractor: S&J Excavation

Plant: Beaver Dam

Tech: J. Coppage

10/13/2025 9:12:21 AM

PC: J. Jarvis



Structure ID: STR-42

P1 BX2436-08BVF

BOX BASE 8inW, 8inF, Variable Ht

- P2) 24" x 36" - CASTING HEIGHT - 8"
- P1) 24" x 36" - BOX BASE 8inW, 8inF, Variable Ht - 43"
- 1) CASTING - HOE R-3287-10V SET (F/G/H)
- 1) 24" x 36" - SGL 1"x14.5' Butyl
- 1) Hole - 18
- 1) Hole - 12
- 2) Hole - 5

- Structure Notes:
1. JR HOE R-3287-10V CURB INLET PROVIDED BY ICAST.
 2. PER ASTM C913 SPECIFICATIONS.
 3. CONCRETE = 4,000 PSI AT 28 DAYS.
 4. REINFORCING PER ASTM A615 (GRADE 60).
 - WALLS (As .31) #5 BARS AT 12" C.C.E.W.
 - FLOOR (As .31) #5 BARS AT 12" C.C.E.W.

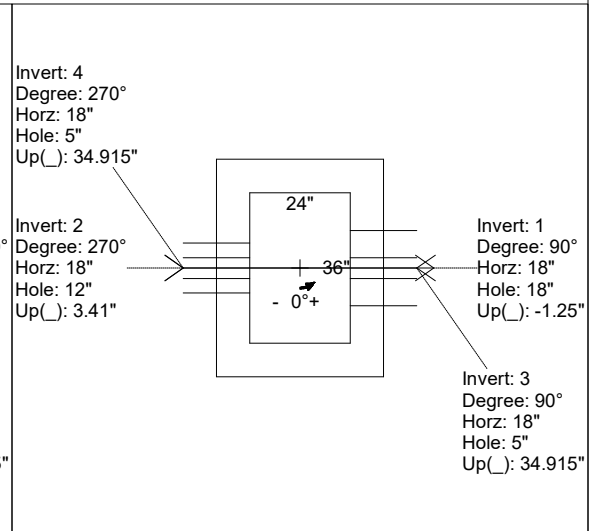
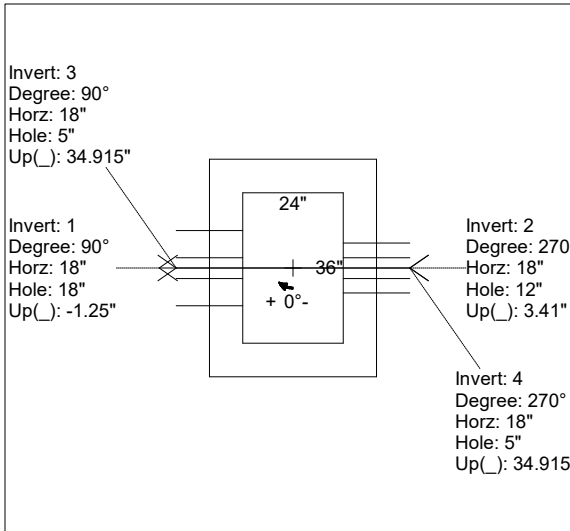
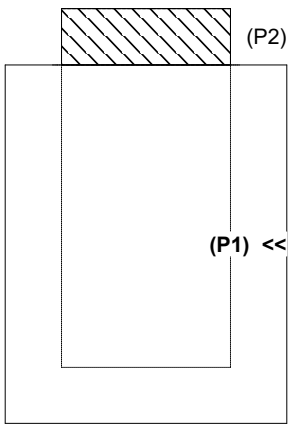
Structure Total: 5953 lb

Rim: 643.68' Rim to Invert: 4.25' Slack: 0" Sump: 0" Step Position:

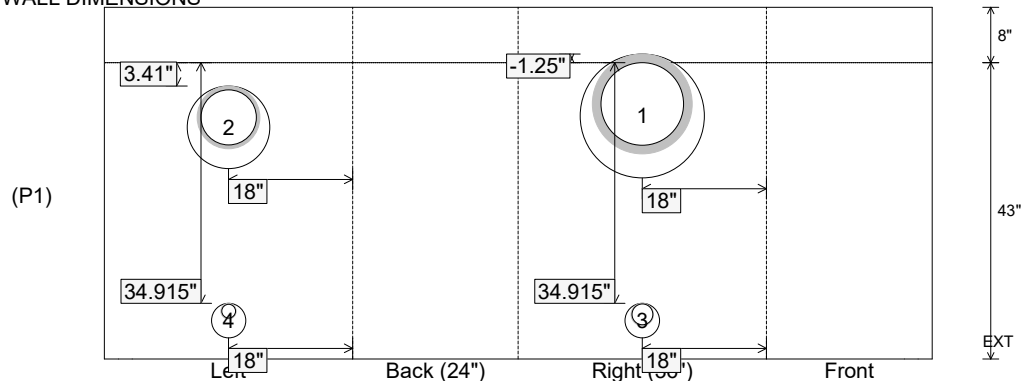
Position	Elev	Angle	Ext. (cw)	Pipe	Pipe OD	Connector	Hole	Horz Size	Up ()	Offset
Invert 1	639.43'	90°	26"	12" HDPE	14.5"	Hole 18	18"	18"	-1.25"	0"
Invert 2	639.76'	270°	26"	8" HDPE	9.1"	Hole 12	12"	12"	3.41"	0"
Invert 3	642.35'	90°	26"	3" PVC SDR35	3.25"	Hole 5	5"	5"	34.915"	0"
Invert 4	642.35'	270°	26"	2" PVC SDR35	2.25"	Hole 5	5"	5"	34.915"	0"
Invert 5										
Invert 6										
Invert 7										
Invert 8										

RIGHT-SIDE UP VIEW (int. dimensions)

UPSIDE-DOWN VIEW (int. dimensions)



INSIDE WALL DIMENSIONS



Coating (Int):
 Coating (Ext):

Seam Up: Flat
 Seam Dn: n/a

Wall Thickness: 8"
 Floor Height: 8"

Height (Int): 43"
 Height (Ext): 51"

Weight (Net): 5511 lb
 Volume (Net): 1.41cu.yd