

Job Name: 25-2644 Limestone Edge Apartments
 Job Location: Bedford, IN
 Contractor: S&J Excavation

Plant: Beaver Dam

Tech: J. Coppage

10/13/2025 9:12:19 AM

PC: J. Jarvis



Structure ID: STR-41

P1 BX2436-08BVF

BOX BASE 8inW, 8inF, Variable Ht

- P2) 24" x 36" - CASTING HEIGHT - 8"
- P1) 24" x 36" - BOX BASE 8inW, 8inF, Variable Ht - 38"
- 1) CASTING - HOE R-3287-10V SET (F/G/H)
- 1) 24" x 36" - SGL 1"x14.5' Butyl
- 1) Hole - 20
- 2) Hole - 18
- 1) Hole - 12
- 2) Hole - 5

- Structure Notes:**
1. JR HOE R-3287-10V CURB INLET PROVIDED BY ICAST.
 2. PER ASTM C913 SPECIFICATIONS.
 3. CONCRETE = 4,000 PSI AT 28 DAYS.
 4. REINFORCING PER ASTM A615 (GRADE 60).
- WALLS (As .31) #5 BARS AT 12" C.C.E.W.
 - FLOOR (As .31) #5 BARS AT 12" C.C.E.W.

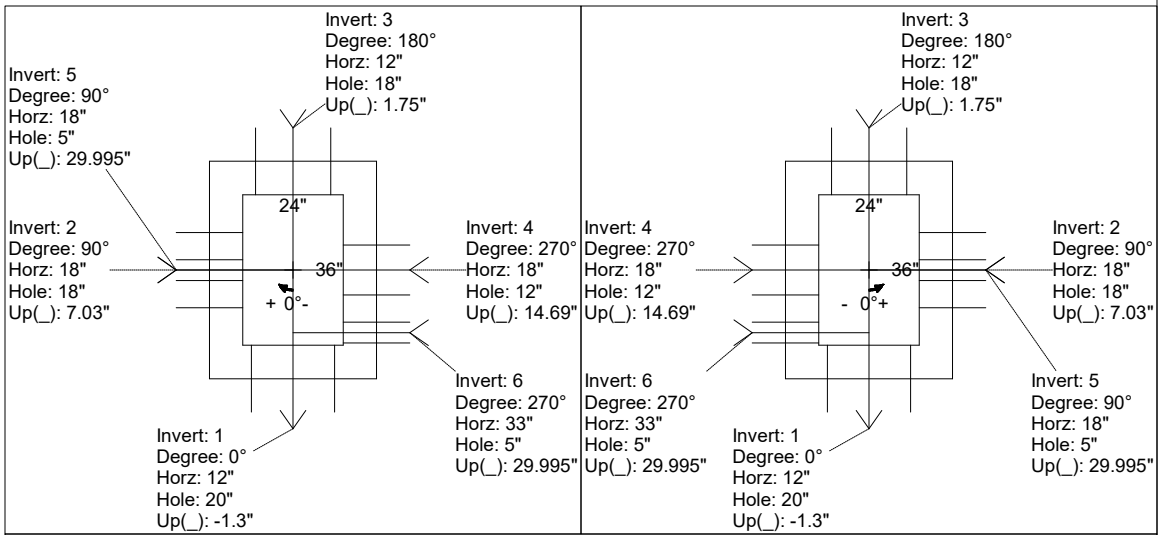
Structure Total: 5061 lb

Rim: 642.23' Rim to Invert: 3.9' Slack: 0.8" Sump: 0" Step Position:

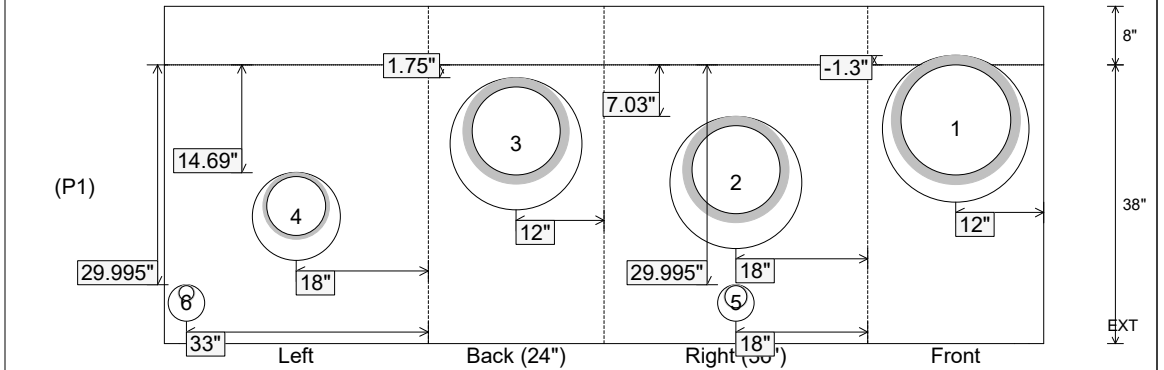
Position	Elev	Angle	Ext. (cw)	Pipe	Pipe OD	Connector	Hole	Horz Size	Up (")	Offset
Invert 1	638.33'	0°	20"	15" HDPE	17.6"	Hole 20	20"	20"	-1.3"	0"
Invert 2	639.02'	90°	26"	12" HDPE	14.5"	Hole 18	18"	18"	7.03"	0"
Invert 3	638.58'	180°	20"	12" HDPE	14.5"	Hole 18	18"	18"	1.75"	0"
Invert 4	639.6'	270°	26"	8" HDPE	9.1"	Hole 12	12"	12"	14.69"	0"
Invert 5	640.84'	90°	26"	3" PVC SDR35	3.25"	Hole 5	5"	5"	29.995"	0"
Invert 6	640.84'	270°	41"	2" PVC SDR35	2.25"	Hole 5	5"	5"	29.995"	15"
Invert 7										
Invert 8										

RIGHT-SIDE UP VIEW (int. dimensions)

UPSIDE-DOWN VIEW (int. dimensions)



INSIDE WALL DIMENSIONS



Coating (Int): Coating (Ext):	Seam Up: Flat Seam Dn: n/a	Wall Thickness: 8" Floor Height: 8"	Height (Int): 38" Height (Ext): 46"	Weight (Net): 4619 lb Volume (Net): 1.18cu.yd
----------------------------------	-------------------------------	--	--	--