

Job Name: 25-2644 Limestone Edge Apartments
 Job Location: Bedford, IN
 Contractor: S&J Excavation

Plant: Beaver Dam

10/13/2025 9:12:05 AM

Tech: J. Coppage

PC: J. Jarvis



Structure ID: STR-18

P1 BX2424-08BAVF

BOX BASE 8inW, 8inF, Variable Ht

- P2) 24" x 24" - CASTING HEIGHT - 1"
- P1) 24" x 24" - BOX BASE 8inW, 8inF, Variable Ht - 37"
- 1) CASTING - EJ 6500 GRT
- 1) 24" x 24" - Conseal CS-102 1.00"
- 2) Hole - 18
- 1) Hole - 10

Structure Total: 4109 lb

Structure Notes:

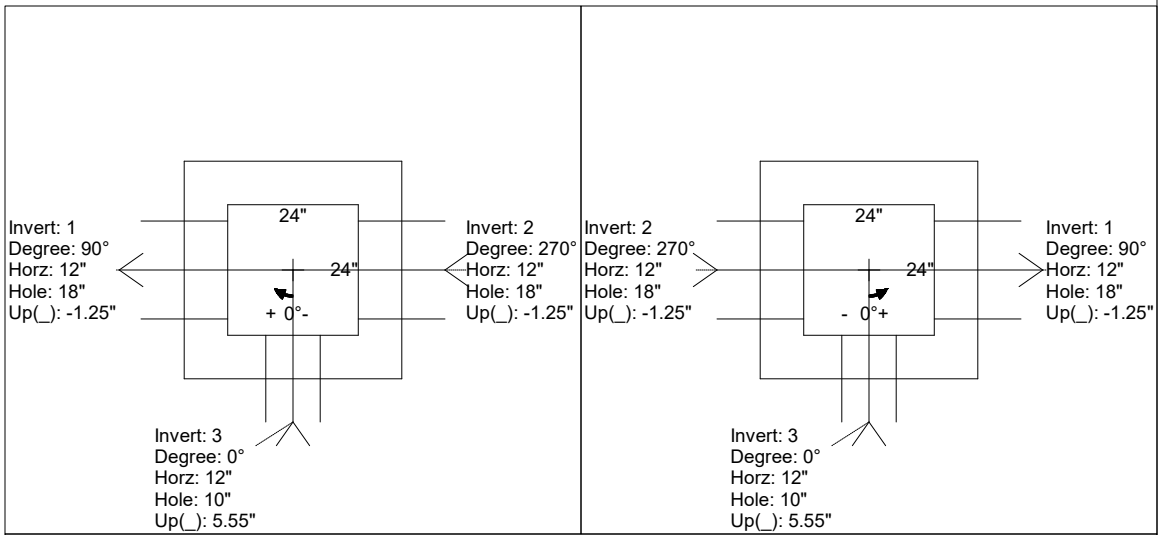
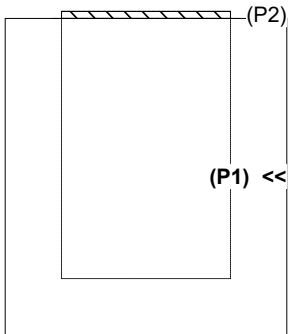
- 1. EJ-6500 GRATE PROVIDED BY ICAST.
- 2. INDOT INLET TYPE A / ASTM C913 SPEC'S.
- 3. CONCRETE = 4,000 PSI AT 28 DAYS.
- 4. REINFORCING PER ASTM A615 (GRADE 60).
- WALLS (As .31) #5 BARS AT 12" C.C.E.W.
- FLOOR (As .31) #5 BARS AT 12" C.C.E.W.

Rim: 644.25' Rim to Invert: 3.23' Slack: 0.76" Sump: 0" Step Position:

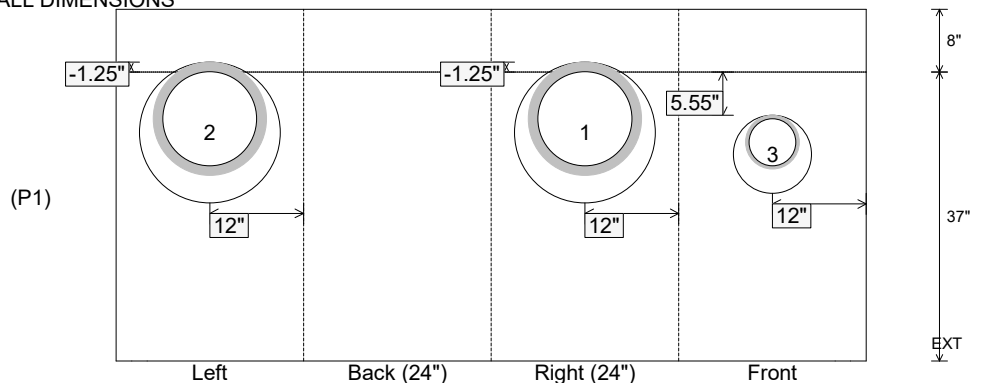
| Position | Elev | Angle | Ext. (cw) | Pipe | Pipe OD | Connector | Hole | Horz Size | Up () | Offset |
|----------|---------|-------|-----------|----------|---------|-----------|------|-----------|--------|--------|
| Invert 1 | 641.02' | 90° | 20" | 12" HDPE | 14.5" | Hole 18 | 18" | 18" | -1.25" | 0" |
| Invert 2 | 641.02' | 270° | 20" | 12" HDPE | 14.5" | Hole 18 | 18" | 18" | -1.25" | 0" |
| Invert 3 | 641.52' | 0° | 20" | 6" HDPE | 6.9" | Hole 10 | 10" | 10" | 5.55" | 0" |
| Invert 4 | | | | | | | | | | |
| Invert 5 | | | | | | | | | | |
| Invert 6 | | | | | | | | | | |
| Invert 7 | | | | | | | | | | |
| Invert 8 | | | | | | | | | | |

RIGHT-SIDE UP VIEW (int. dimensions)

UPSIDE-DOWN VIEW (int. dimensions)



INSIDE WALL DIMENSIONS



Coating (Int):
Coating (Ext):

Seam Up: Flat
Seam Dn: n/a

Wall Thickness: 8"
Floor Height: 8"

Height (Int): 37"
Height (Ext): 45"

Weight (Net): 3859 lb
Volume (Net): 0.99cu.yd