

Structure ID: CB A5

P1 BX3636-08BAVF

BOX BASE 8inW, 8inF, Variable Ht F/n

P2) 36" x 36" - CASTING HEIGHT - 4" P1) 36" x 36" - BOX BASE 8inW, 8inF, Variable Ht F/n - 27" 1) 36" x 36" - SGL 1"x14.5' Butyl (2x) 1) Hole - 18 2) Hole - 12 1) Hole - 8	0 lb 4649 lb 0 lb 0 lb 0 lb 0 lb 0 lb ----- Structure Total: 4649 lb	
--	--	--

Structure Notes:

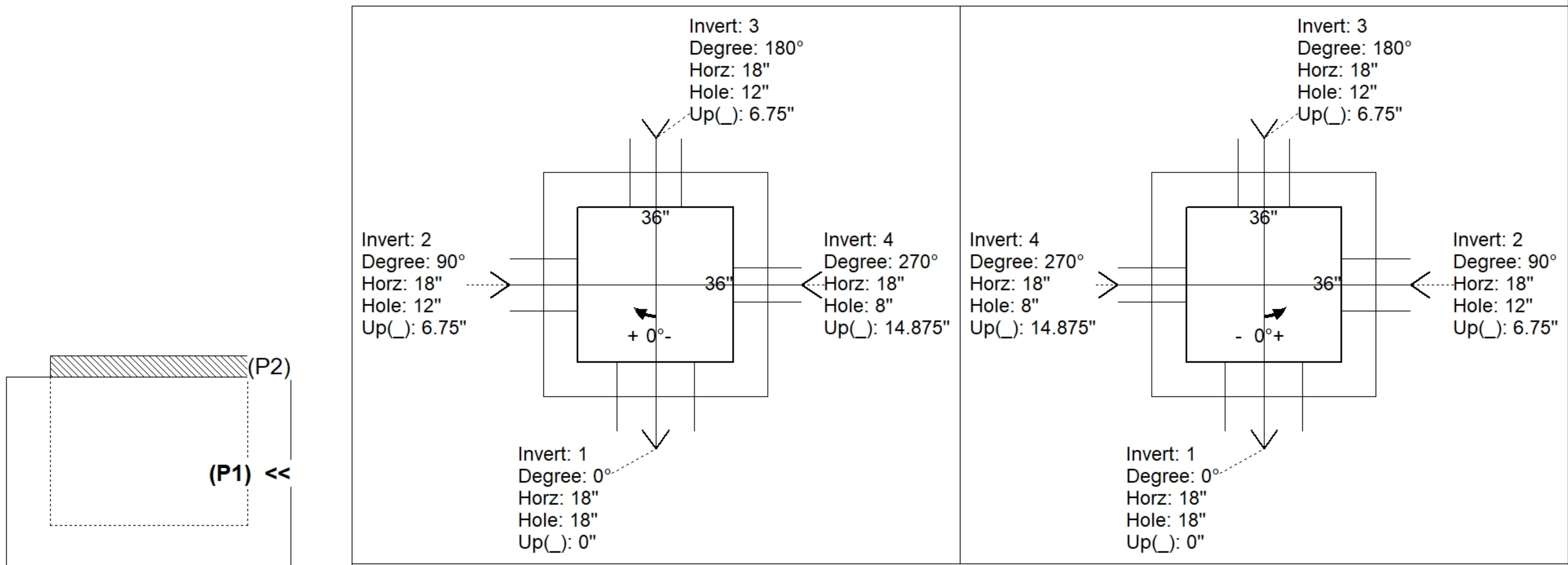
1. PER ASTM C913 SPECIFICATIONS.
2. CONCRETE = 4,000 PSI AT 28 DAYS.
3. NO INVERT CHANNEL.
4. CASTING BY OTHERS
5. REINFORCING PER ASTM A615 (GRADE 60).
 - WALLS (As .12) #5 BARS AT 12" C.C.E.W.
 - FLOOR (As .12) #5 BARS AT 12" C.C.E.W.

Rim: 436' Rim to Invert: 2.5' Slack: 0.25" Sump: 1.25" Step Position:

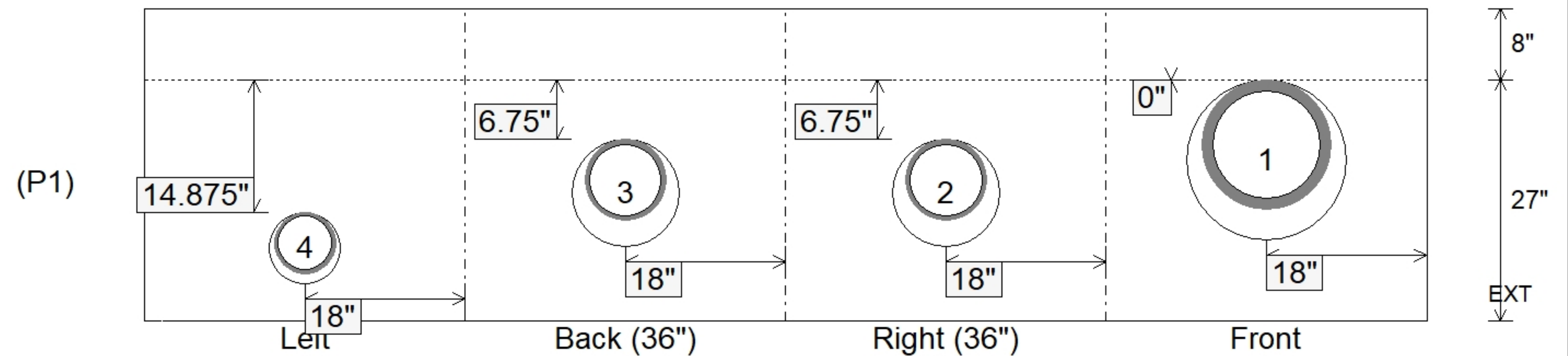
Position	Elev	Angle	Ext. (cw)	Pipe	Pipe OD	Connector	Hole	Horz Size	Up ()	Offset
Invert 1	433.5'	0°	26"	12" HDPE	14.5"	Hole 18	18"	18"	0"	0"
Invert 2	434'	90°	26"	8" HDPE	9.1"	Hole 12	12"	12"	6.75"	0"
Invert 3	434'	180°	26"	8" HDPE	9.1"	Hole 12	12"	12"	6.75"	0"
Invert 4	434.67'	270°	26"	6" HDPE (perf pipe)	6.9"	Hole 8	8"	8"	14.875"	0"
Invert 5										
Invert 6										
Invert 7										
Invert 8										

RIGHT-SIDE UP VIEW (int. dimensions)

UPSIDE-DOWN VIEW (int. dimensions)



INSIDE WALL DIMENSIONS



Coating (Int): Coating (Ext):	Seam Up: Flat Seam Dn: n/a	Wall Thickness: 8" Floor Height: 8"	Height (Int): 27" Height (Ext): 35"	Weight (Net): 4649 lb Volume (Net): 1.19cu.yd
----------------------------------	-------------------------------	--	--	--