

Job Name: 25-2642 Muhlenberg Co Opportunity Center  
 Job Location: Greenville, Ky  
 Contractor: Hazex Construction Company, Inc

Plant: Beaver Dam  
 10/15/2025 9:56:31 AM

Tech: C.Russ  
 PC: J.Jarvis



**Structure ID: CB A3**

**P1 BX3636-08BAVF**

**BOX BASE 8inW, 8inF, Variable Ht F/n**

- P2) 36" x 36" - CASTING HEIGHT - 4"
- P1) 36" x 36" - BOX BASE 8inW, 8inF, Variable Ht F/n - 38"
- 1) 36" x 36" - SGL 1"x14.5' Butyl (2x)
- 2) Hole - 20
- 1) Hole - 16
- 1) Hole - 8

0 lb  
 5693 lb  
 0 lb  
 0 lb  
 0 lb  
 0 lb  
 0 lb  
 Structure Total: 5693 lb

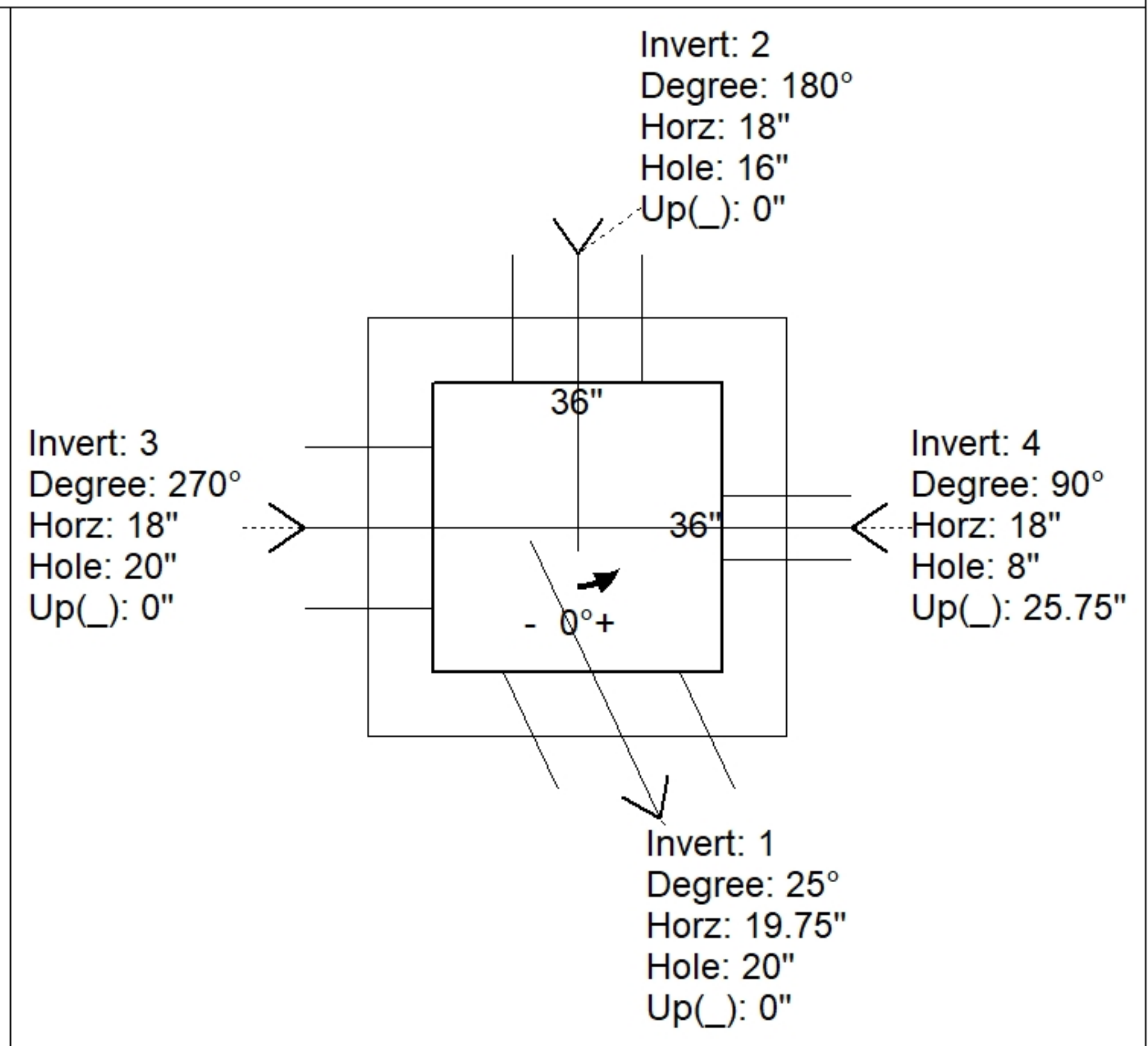
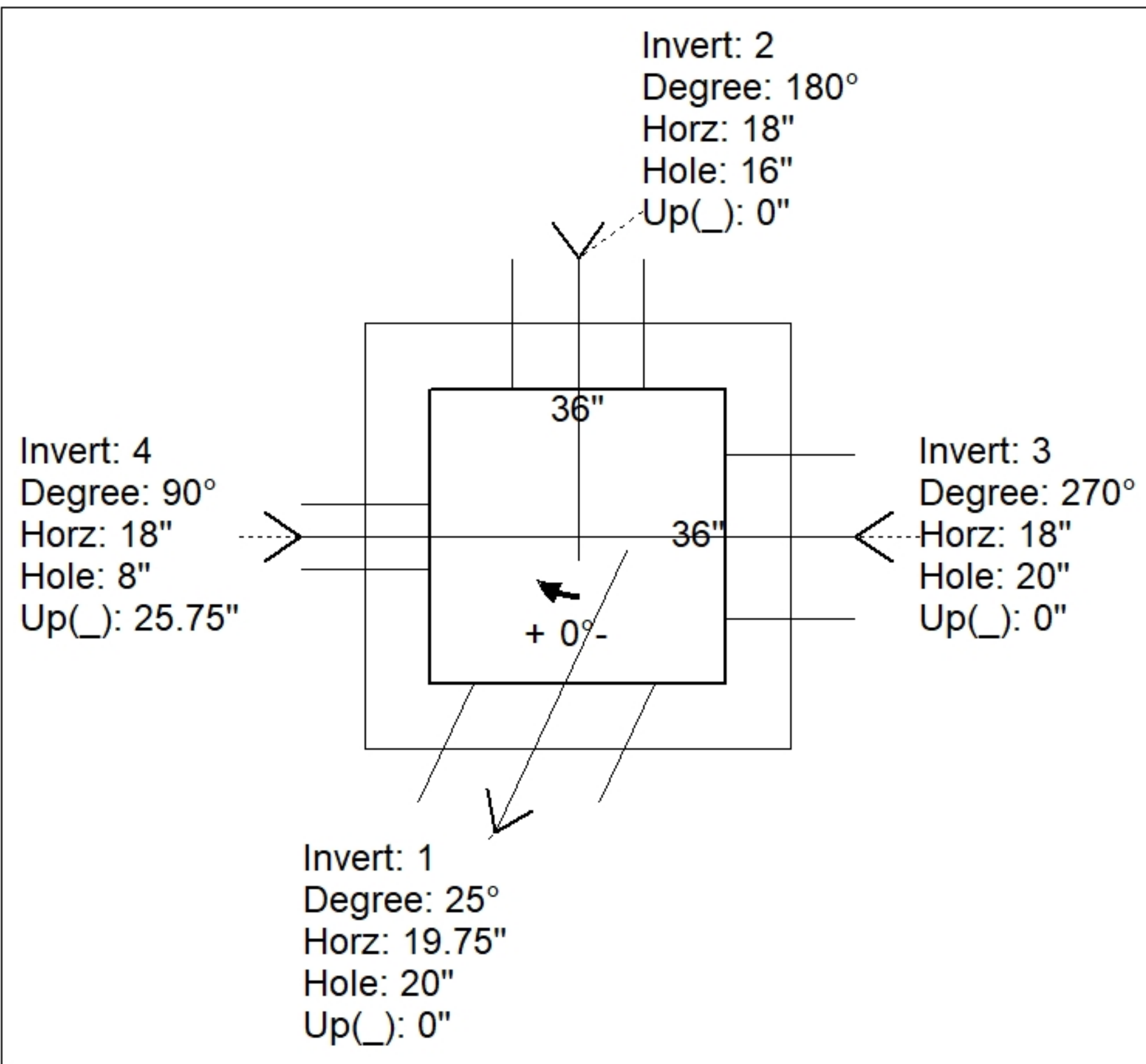
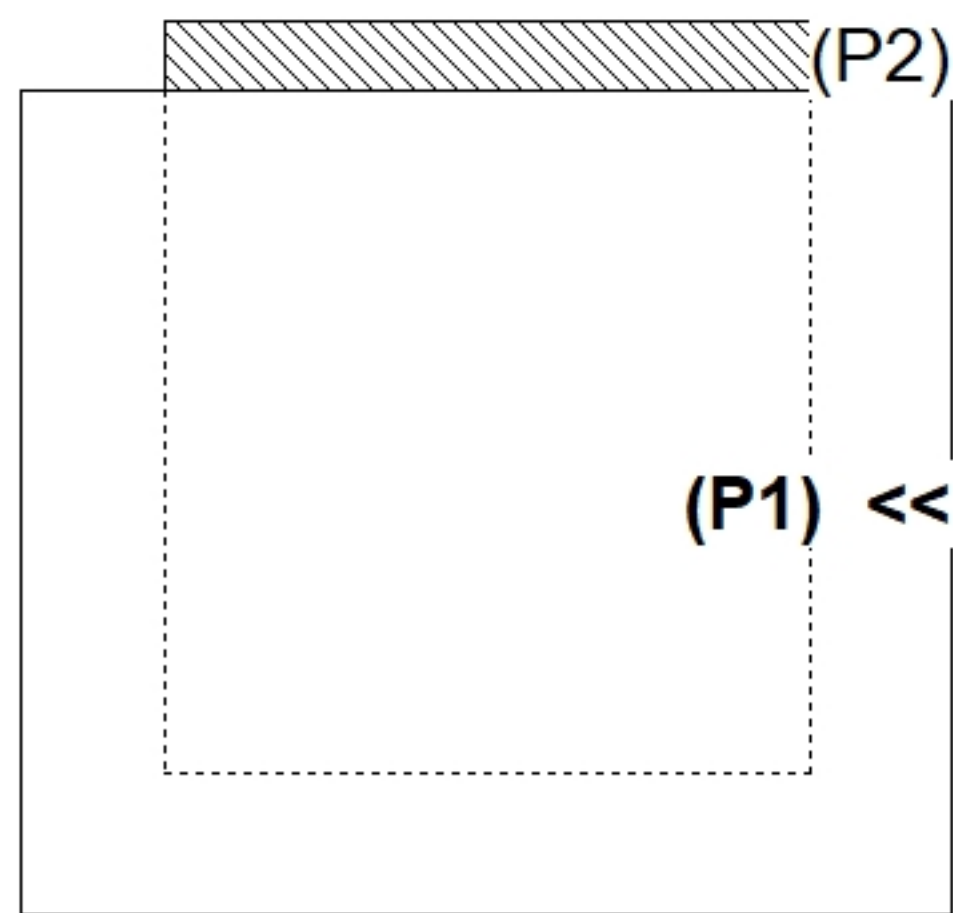
- Structure Notes:**
1. PER ASTM C913 SPECIFICATIONS.
  2. CONCRETE = 4,000 PSI AT 28 DAYS.
  3. NO INVERT CHANNEL.
  4. CASTING BY OTHERS
  5. REINFORCING PER ASTM A615 (GRADE 60).  
 - WALLS (As .12) #5 BARS AT 12" C.C.E.W.  
 - FLOOR (As .12) #5 BARS AT 12" C.C.E.W.

Rim: 432.85' Rim to Invert: 3.4' Slack: 0.1" Sump: 1.3" Step Position:

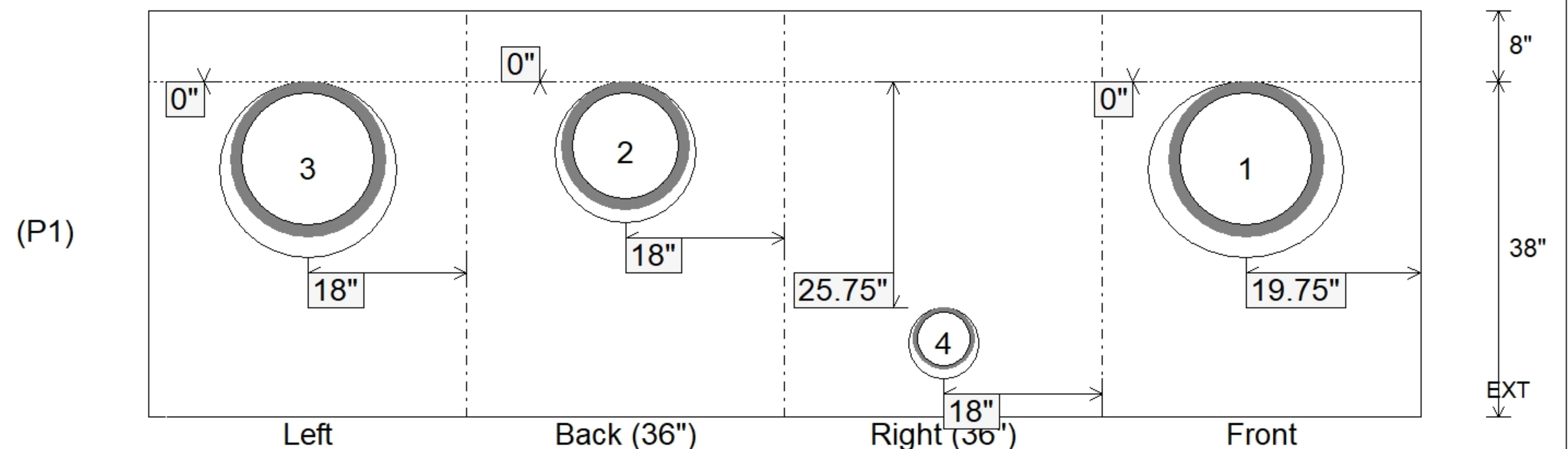
Position	Elev	Angle	Ext. (cw)	Pipe	Pipe OD	Connector	Hole	Horz Size	Up ( )	Offset
Invert 1	429.45'	25°	31.5"	15" HDPE	17.6"	Hole 20	20"	22.068"	0"	-6"
Invert 2	429.45'	180°	26"	12" HDPE	14.5"	Hole 16	16"	16"	0"	0"
Invert 3	429.45'	270°	26"	15" HDPE	17.6"	Hole 20	20"	20"	0"	0"
Invert 4	431.52'	90°	26"	6" HDPE (perf pipe)	6.9"	Hole 8	8"	8"	25.75"	0"
Invert 5										
Invert 6										
Invert 7										
Invert 8										

RIGHT-SIDE UP VIEW (int. dimensions)

UPSIDE-DOWN VIEW (int. dimensions)



INSIDE WALL DIMENSIONS



Coating (Int):  
 Coating (Ext):

Seam Up: Flat  
 Seam Dn: n/a

Wall Thickness: 8"  
 Floor Height: 8"

Height (Int): 38"  
 Height (Ext): 46"

Weight (Net): 5693 lb  
 Volume (Net): 1.45cu.yd