

**Job Name: 25-2636 KUB WTP Manhole**  
**Job Location: Knoxville, TN**  
**Contractor: Bowen Engineering Corporation**

PC: Jay Jarvis  
 TECH: Evan Niles  
 Plant: Beaver Dam, KY



**Structure ID: VAULT 2 BASE REWORK**

Spec: Storm  
 Type: BX 8inW, 8inF  
 Size: 72" x 72"

Rim: 842.46'  
 Invert: 836.71'  
 Rim to Invert: 5.75'

Sump: 0"  
 Floor (Top): 836.71'  
 Floor Height: 8"

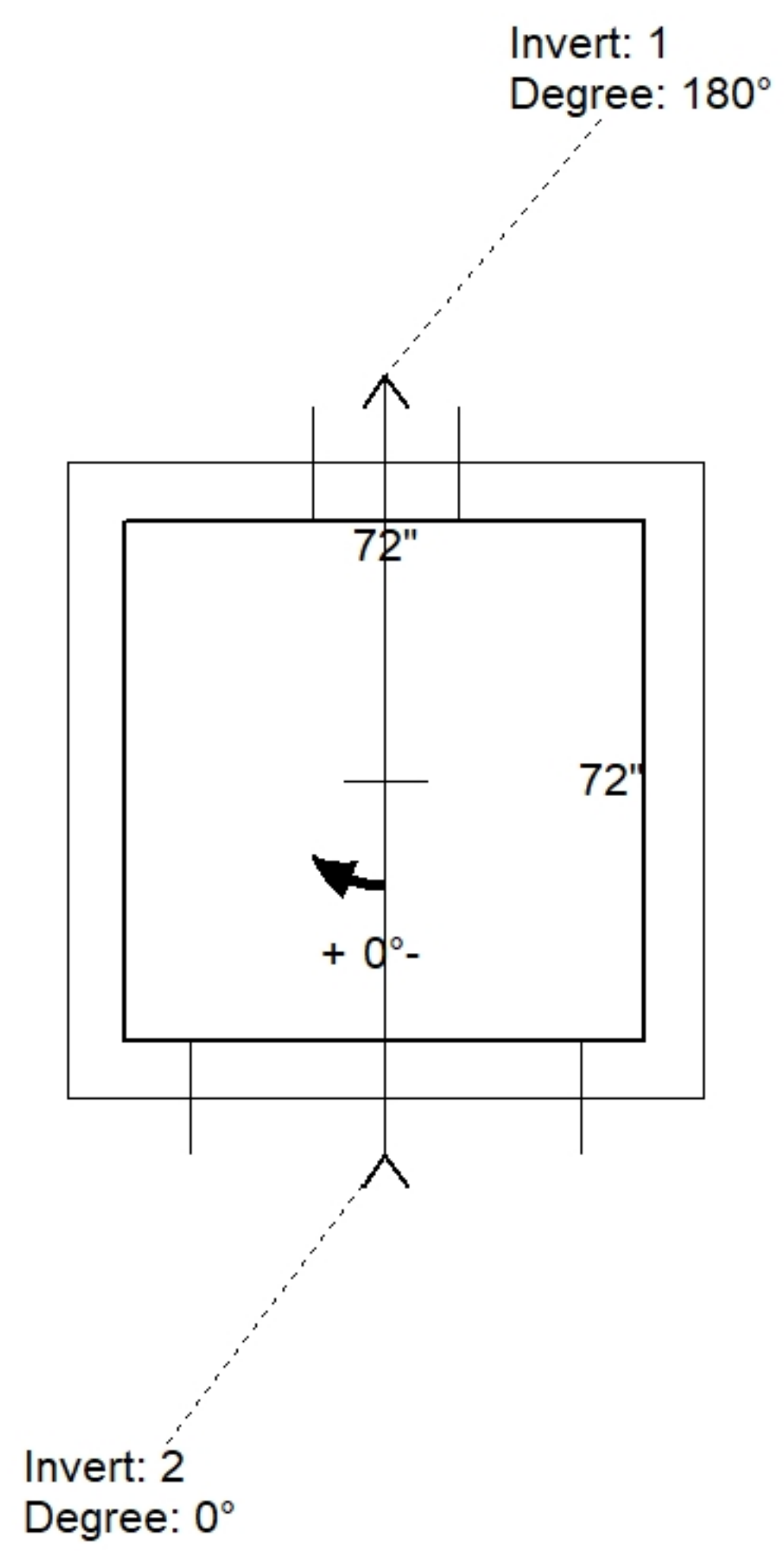
Floor (Bot): 836.043'  
 Overall Height: 5.75'  
 Slack: 8"

Structure Notes:

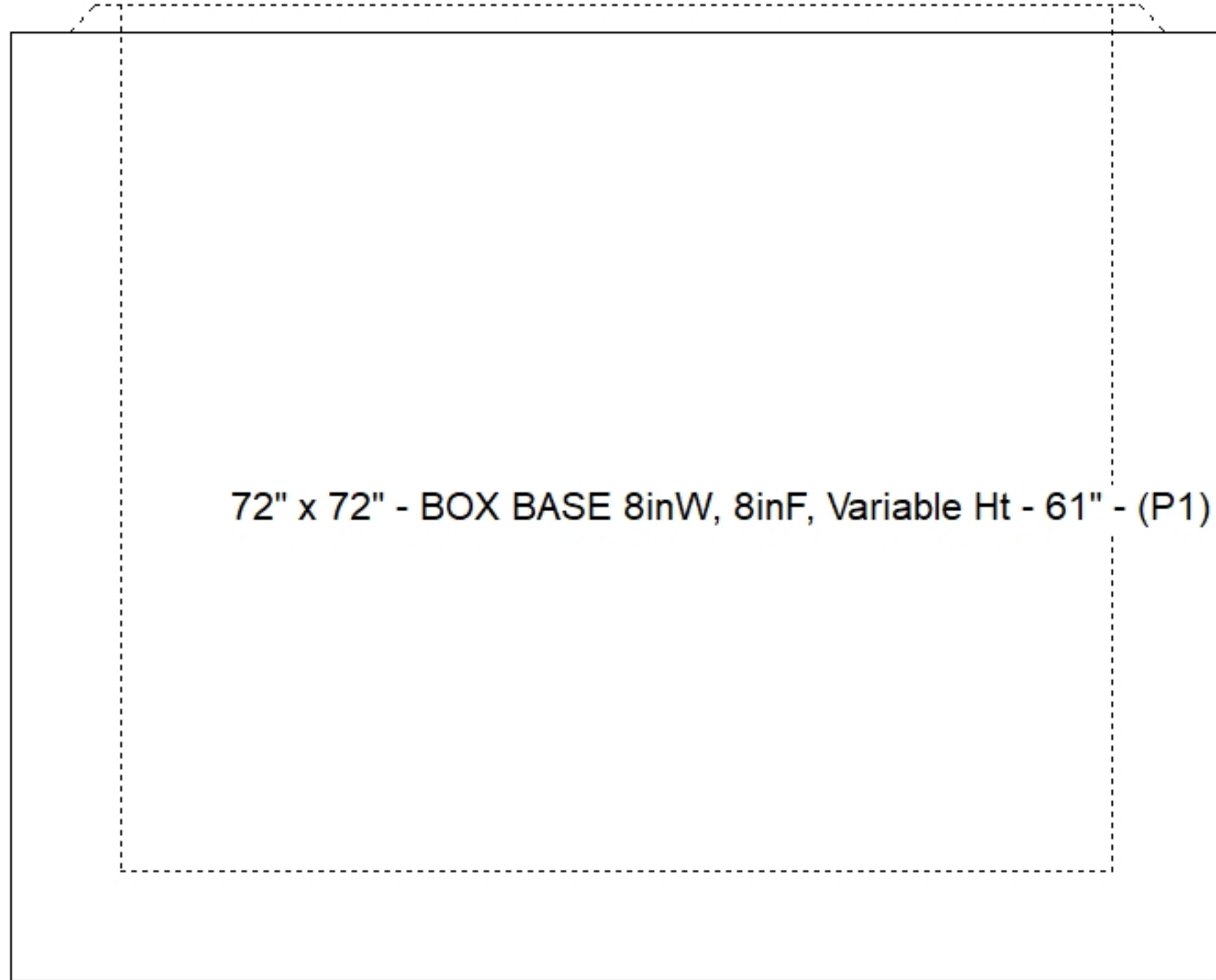
1. PER ASTM C913 SPECIFICATIONS.
2. CONCRETE = 4,000 PSI AT 28 DAYS.
3. CASTING ???

STRUCTURE SUMMARY:

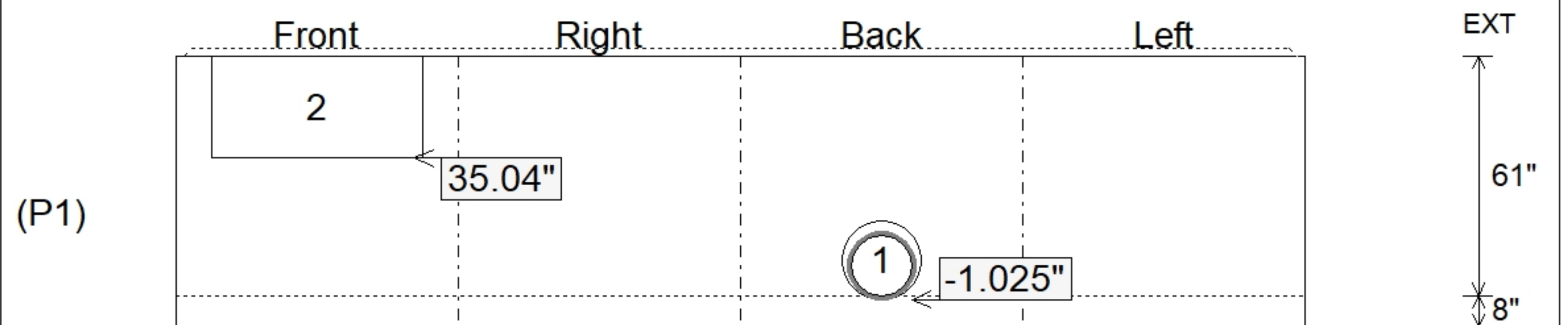
P1) 72" x 72" - BOX BASE 8inW, 8inF, Variable Ht - 61"	17150 lb
1) 72" x 72" - SGL 1"x14.5' Butyl (2x)	0 lb
1) Hole - 20	0 lb
1) Horiz Slot - 54"x26"	0 lb
<b>Structure Total:</b>	<b>17150 lb</b>



Position	Elev	Angle	Pipe	Pipe OD	Hole	Connector	Up (")	Ref
Rim	842.46'							
Reducer								
Invert 1	836.71'	180°	16" C900 DR18	17.4"	20"	Hole 20	-1.025"	P1
Invert 2	839.63'	0°	54" x 26" Horiz Slot	54" x 26"	54" x 26"	Horiz Slot 54"x26"	35.04"	P1
Invert 3								
Invert 4								
Invert 5								
Invert 6								
Invert 7								
Invert 8								



**Default - Interior Dimensions**



Submittal Drawing  
 11/5/2025 7:48:29 AM

SUBMITTAL  
 APPROVED BY: