

Job Name: 25-2636 KUB WTP Manhole
Job Location: Knoxville, TN
Contractor: Bowen Engineering Corporation

PC: Jay Jarvis
 TECH: Evan Niles
 Plant: Beaver Dam, KY



Structure ID: VAULT 1 BASE REWORK

Spec: Storm Rim: 842.46' Sump: 0" Floor (Bot): 836.043'
 Type: BX 8inW, 8inF Invert: 836.71' Floor (Top): 836.71' Overall Height: 5.75'
 Size: 72" x 72" Rim to Invert: 5.75' Floor Height: 8" Slack: 8"

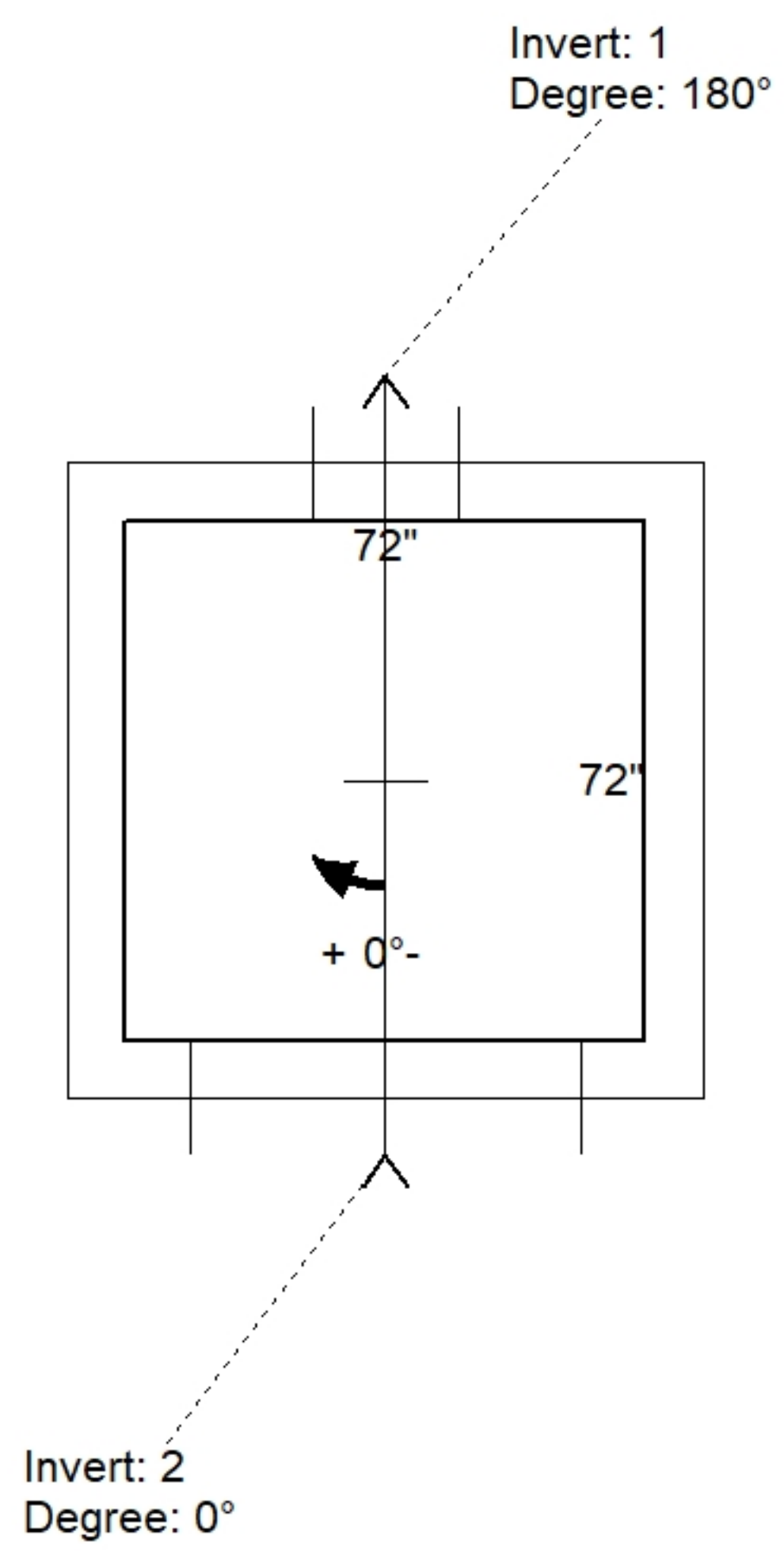
Structure Notes:

1. PER ASTM C913 SPECIFICATIONS.
2. CONCRETE = 4,000 PSI AT 28 DAYS.
3. CASTING ???

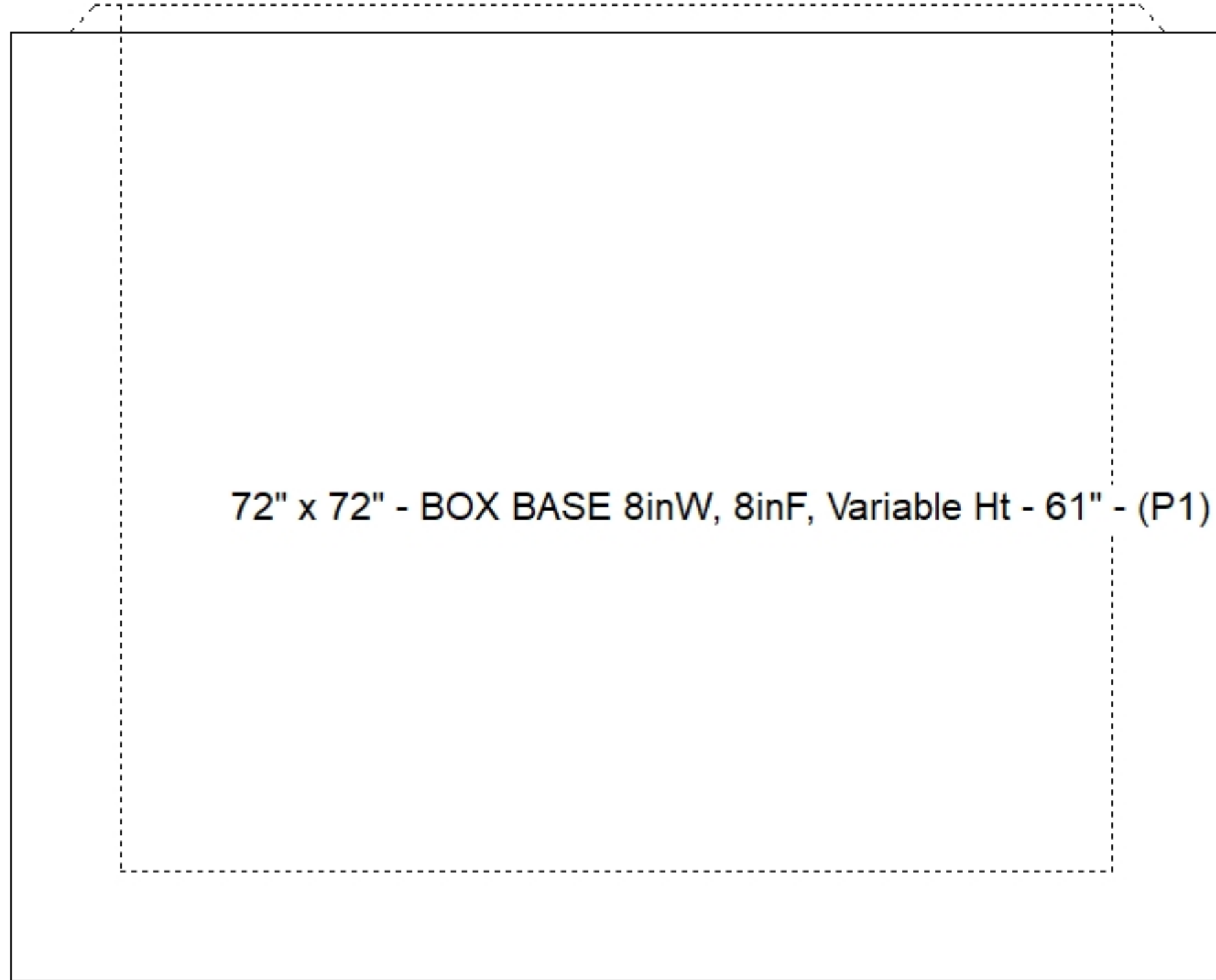
STRUCTURE SUMMARY:

P1) 72" x 72" - BOX BASE 8inW, 8inF, Variable Ht - 61"	17150 lb
1) 72" x 72" - SGL 1"x14.5' Butyl (2x)	0 lb
1) Hole - 20	0 lb
1) Horiz Slot - 54"x26"	0 lb

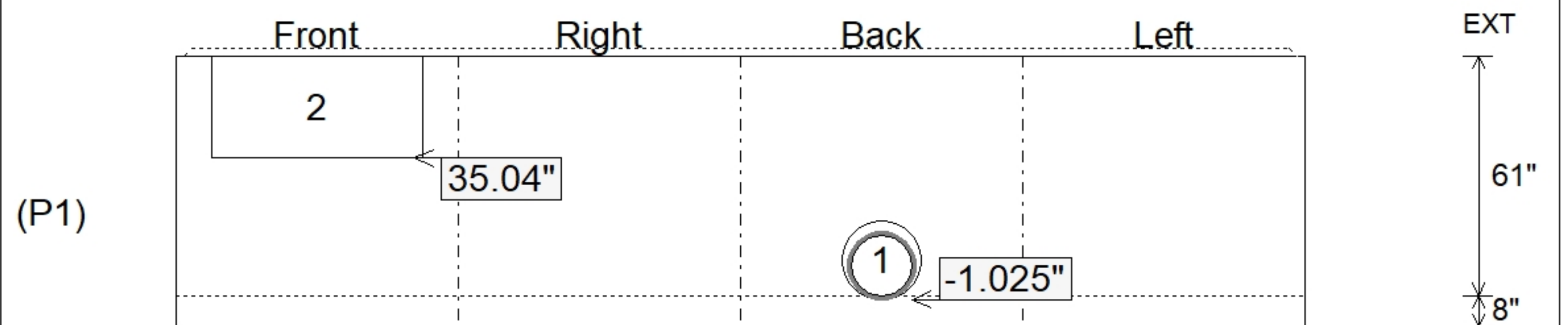
Structure Total:	17150 lb



Position	Elev	Angle	Pipe	Pipe OD	Hole	Connector	Up (")	Ref
Rim	842.46'							
Reducer								
Invert 1	836.71'	180°	16" C900 DR18	17.4"	20"	Hole 20	-1.025"	P1
Invert 2	839.63'	0°	54" x 26" Horiz Slot	54" x 26"	54" x 26"	Horiz Slot 54"x26"	35.04"	P1
Invert 3								
Invert 4								
Invert 5								
Invert 6								
Invert 7								
Invert 8								



Default - Interior Dimensions



Submittal Drawing
 11/5/2025 7:48:27 AM

SUBMITTAL
 APPROVED BY: