

Job Name: 25-2631 The Maxwell PH 2
 Job Location: Lexington, KY
 Contractor: Woodall Construction Co., Inc.

Plant: Beaver Dam

Tech: C.Russ

11/7/2025 12:46:26 PM

PC: T. Ryan



Structure ID: STR MH1

P1 MH060BA72

MH BASE

- P4) 24" - CASTING HEIGHT - 7"
- P3) 24" - GRADE RING - 3"
- P2) 60" - MH FLAT TOP w/ 24" ECC Hole - 13"
- P1) 60" - MH BASE - 72"
- 1) 60" - Conseal CS-102 1.00"
- 2) Hole - 26
- 1) Hole - 20
- 6) MH Step ML-10-TDS-NCR - 10"

- Structure Notes:**
1. CASTING PROVIDED BY OTHERS
 2. PER ASTM C478 SPECIFICATIONS.
 3. CONCRETE = 4,000 PSI AT 28 DAYS.
 4. REINFORCING PER ASTM A615 (GRADE 60).
 - TOP SLAB (As .62) #5 BARS AT 6" C.C.E.W..
 - RISER/WALLS (As .12)
 - FLOOR (As .31) #5 BARS AT 12" C.C.E.W.

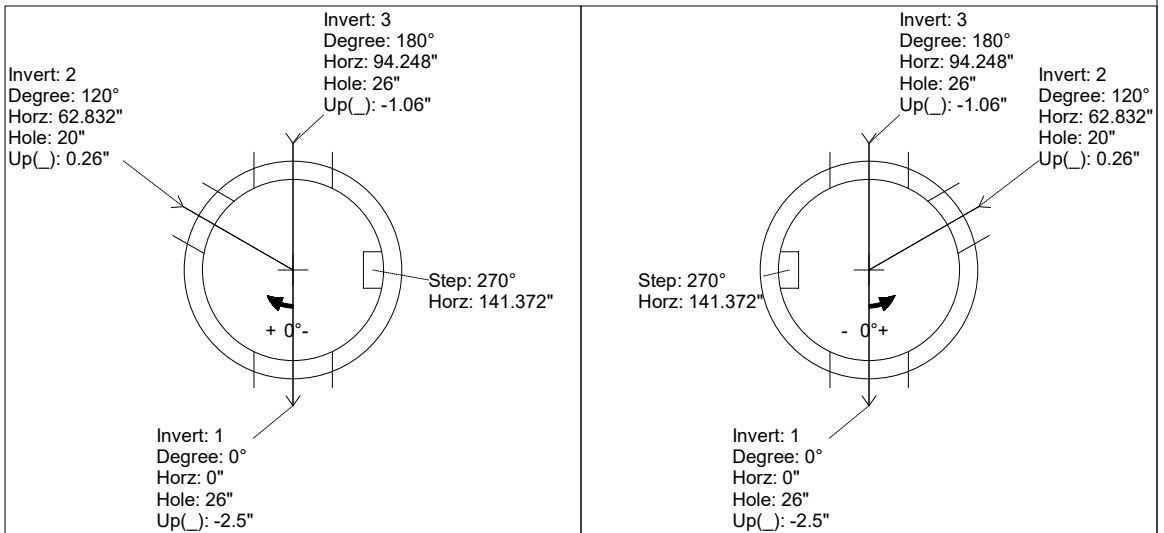
Structure Total: 12610 lb

Rim: 982.9' Rim to Invert: 7.95' Slack: 0.4" Sump: 0" Step Position: 0°

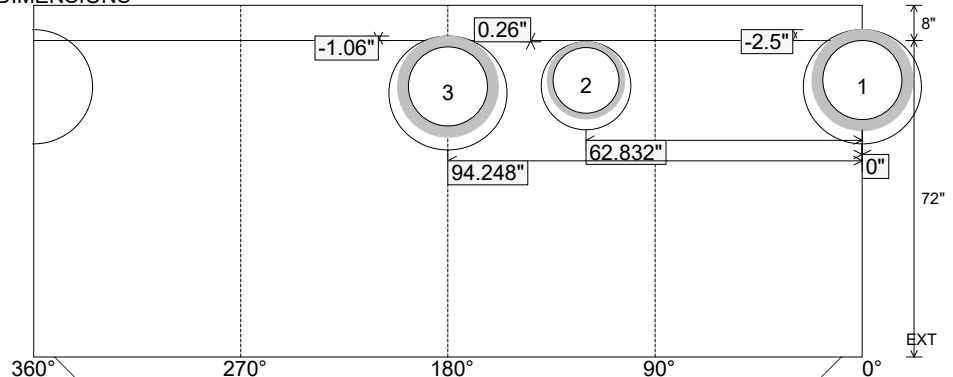
Position	Elev	Angle	Ext. (cw)	Pipe	Pipe OD	Connector	Hole	Horz Size	Up ()	Offset
Invert 1	974.95'	0°	0"	18" RCP B WALL	23"	Hole 26	26"	26.891"	-2.5"	0"
Invert 2	975.08'	120°	75.398"	15" HDPE	17.6"	Hole 20	20"	20.39"	0.26"	0"
Invert 3	975.07'	180°	113.097"	18" RCP B WALL	23"	Hole 26	26"	26.891"	-1.06"	0"
Invert 4										
Invert 5										
Invert 6										
Invert 7										
Invert 8										

RIGHT-SIDE UP VIEW (int. dimensions)

UPSIDE-DOWN VIEW (int. dimensions)



INSIDE WALL DIMENSIONS



Coating (Int):
 Coating (Ext):

Seam Up: Tongue
 Seam Dn: n/a

Wall Thickness: 6"
 Floor Height: 8"

Height (Int): 72"
 Height (Ext): 80"

Weight (Net): 9539 lb
 Volume (Net): 2.44cu.yd