

Job Name: 25-2631 The Maxwell PH 2
 Job Location: Lexington, KY
 Contractor: Woodall Construction Co., Inc.

Plant: Beaver Dam

Tech: C.Russ

11/7/2025 12:46:36 PM

PC: T. Ryan



Structure ID: STR 9

P1 MH048BA60

MH BASE

- P4) 24" x 30" - CASTING HEIGHT - 4"
- P3) 24" x 30" - GRADE RING - 3"
- P2) 48" - MH FLAT TOP w/24"x30" Hole - 12"
- P1) 48" - MH BASE - 60"
- 1) 48" - SGL 1"x14.5' Butyl (2x)
- 2) Hole - 20
- 5) MH Step ML-10-TDS-NCR - 10"

0 lb
 282 lb
 1935 lb
 5251 lb
 0 lb
 0 lb
 0 lb

 Structure Total: 7469 lb

Structure Notes:

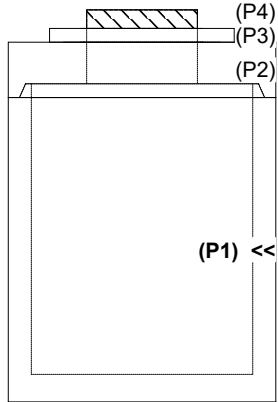
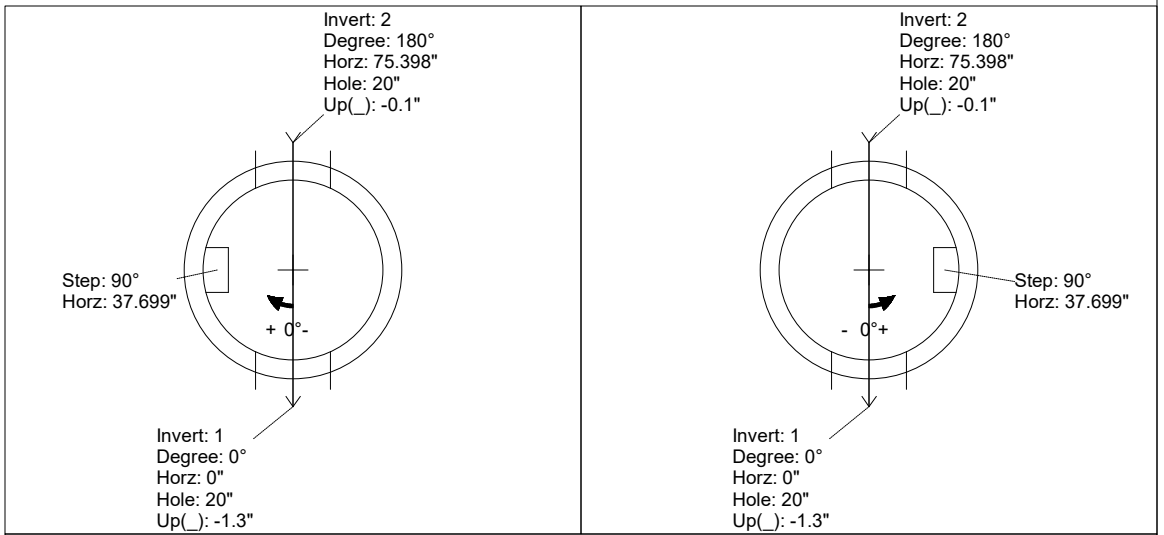
1. DBI TYPE 11 / ASTM C478 SPEC'S.
2. CONCRETE = 4,000 PSI AT 28 DAYS.
3. REINFORCING PER ASTM A615 (GRADE 60.)
4. DBI 11 FRAME/GRATE BY CONTRACTOR.

Rim: 987.46' Rim to Invert: 6.64' Slack: 0.68" Sump: 0" Step Position: 90°

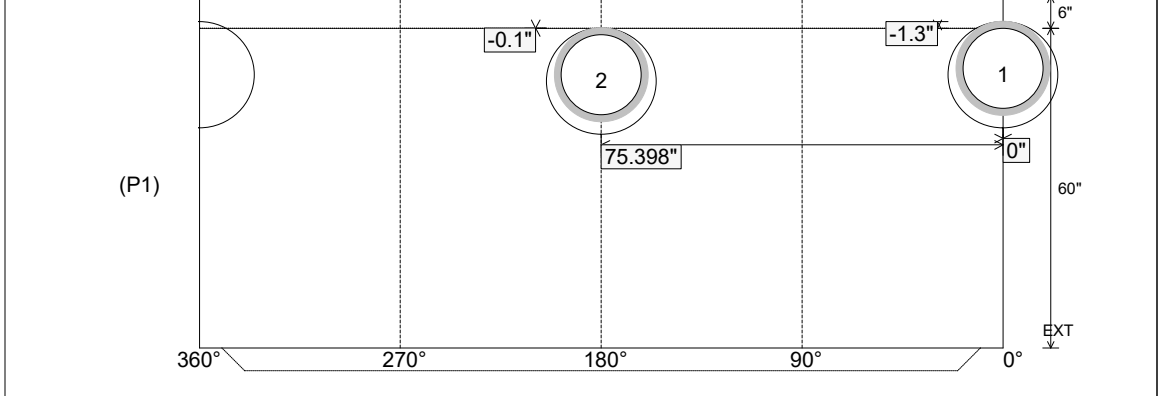
Position	Elev	Angle	Ext. (cw)	Pipe	Pipe OD	Connector	Hole	Horz Size	Up ()	Offset
Invert 1	980.82'	0°	0"	15" HDPE	17.6"	Hole 20	20"	20.629"	-1.3"	0"
Invert 2	980.92'	180°	91.106"	15" HDPE	17.6"	Hole 20	20"	20.629"	-0.1"	0"
Invert 3										
Invert 4										
Invert 5										
Invert 6										
Invert 7										
Invert 8										

RIGHT-SIDE UP VIEW (int. dimensions)

UPSIDE-DOWN VIEW (int. dimensions)



INSIDE WALL DIMENSIONS



Coating (Int): Coating (Ext):	Seam Up: Tongue Seam Dn: n/a	Wall Thickness: 5" Floor Height: 6"	Height (Int): 60" Height (Ext): 66"	Weight (Net): 5251 lb Volume (Net): 1.34cu.yd
----------------------------------	---------------------------------	--	--	--