

Job Name: 25-2631 The Maxwell PH 2
 Job Location: Lexington, KY
 Contractor: Woodall Construction Co., Inc.

Plant: Beaver Dam

11/7/2025 12:46:34 PM

Tech: C.Russ

PC: T. Ryan



Structure ID: STR 7

P1 MH048BAVF

MH BASE Custom Ht

- P3) 24" x 30" - CASTING HEIGHT - 4"
- P2) 48" - MH FLAT TOP w/24"x30" Hole - 12"
- P1) 48" - MH BASE Custom Ht - 70"
- 1) 48" - SGL 1"x14.5' Butyl (2x)
- 2) Hole - 20
- 6) MH Step ML-10-TDS-NCR - 10"

0 lb
 1935 lb
 5950 lb
 0 lb
 0 lb
 0 lb

 Structure Total: 7885 lb

Structure Notes:

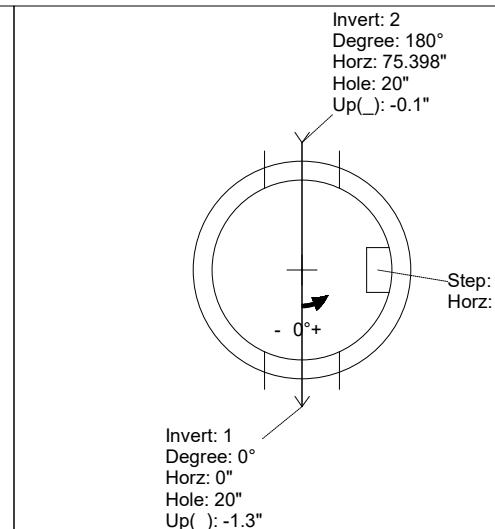
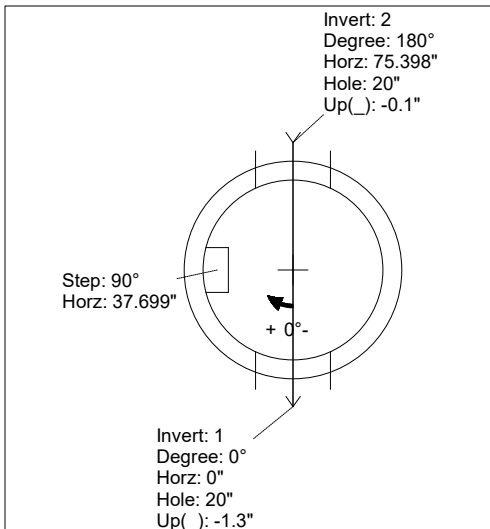
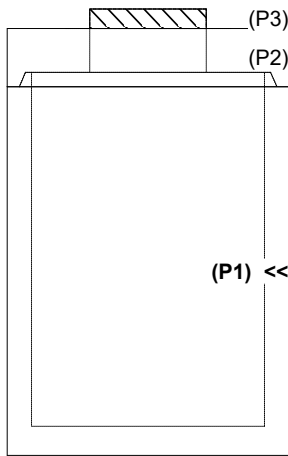
1. DBI TYPE 11 / ASTM C478 SPEC'S.
2. CONCRETE = 4,000 PSI AT 28 DAYS.
3. REINFORCING PER ASTM A615 (GRADE 60.)
4. DBI 11 FRAME/GRATE BY CONTRACTOR.ADE 60).

Rim: 987.05' Rim to Invert: 7.22' Slack: 0.64" Sump: 0" Step Position: 90°

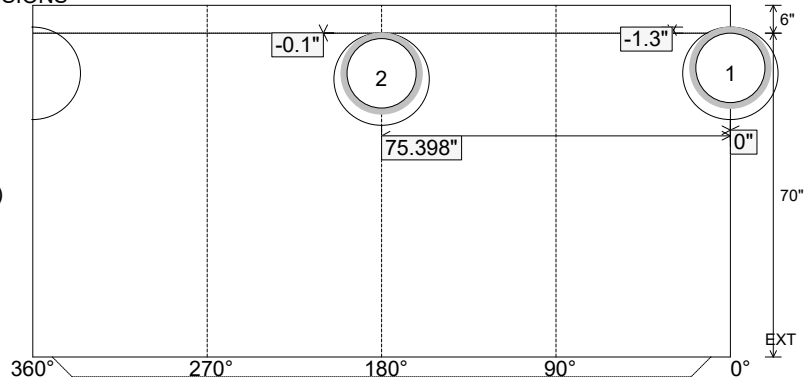
Position	Elev	Angle	Ext. (cw)	Pipe	Pipe OD	Connector	Hole	Horz Size	Up ()	Offset
Invert 1	979.83'	0°	0"	15" HDPE	17.6"	Hole 20	20"	20.629"	-1.3"	0"
Invert 2	979.93'	180°	91.106"	15" HDPE	17.6"	Hole 20	20"	20.629"	-0.1"	0"
Invert 3										
Invert 4										
Invert 5										
Invert 6										
Invert 7										
Invert 8										

RIGHT-SIDE UP VIEW (int. dimensions)

UPSIDE-DOWN VIEW (int. dimensions)



INSIDE WALL DIMENSIONS



Coating (Int):
 Coating (Ext):

Seam Up: Tongue
 Seam Dn: n/a

Wall Thickness: 5"
 Floor Height: 6"

Height (Int): 70"
 Height (Ext): 76"

Weight (Net): 5950 lb
 Volume (Net): 1.52cu.yd