

**Job Name: 25-2631 The Maxwell PH 2**  
**Job Location: Lexington, KY**  
**Contractor: Woodall Construction Co., Inc.**

PC: T. Ryan  
 TECH: C. Russ  
 Plant: Beaver Dam



Structure ID: **STR 6**

Spec: Storm  
 Type: STM.MH (Recessed pipe)  
 Size: 48"

Rim: 986.89'  
 Invert: 979.44'  
 Rim to Invert: 7.45'

Sump: 0"  
 Floor (Top): 979.44'  
 Floor Height: 6"

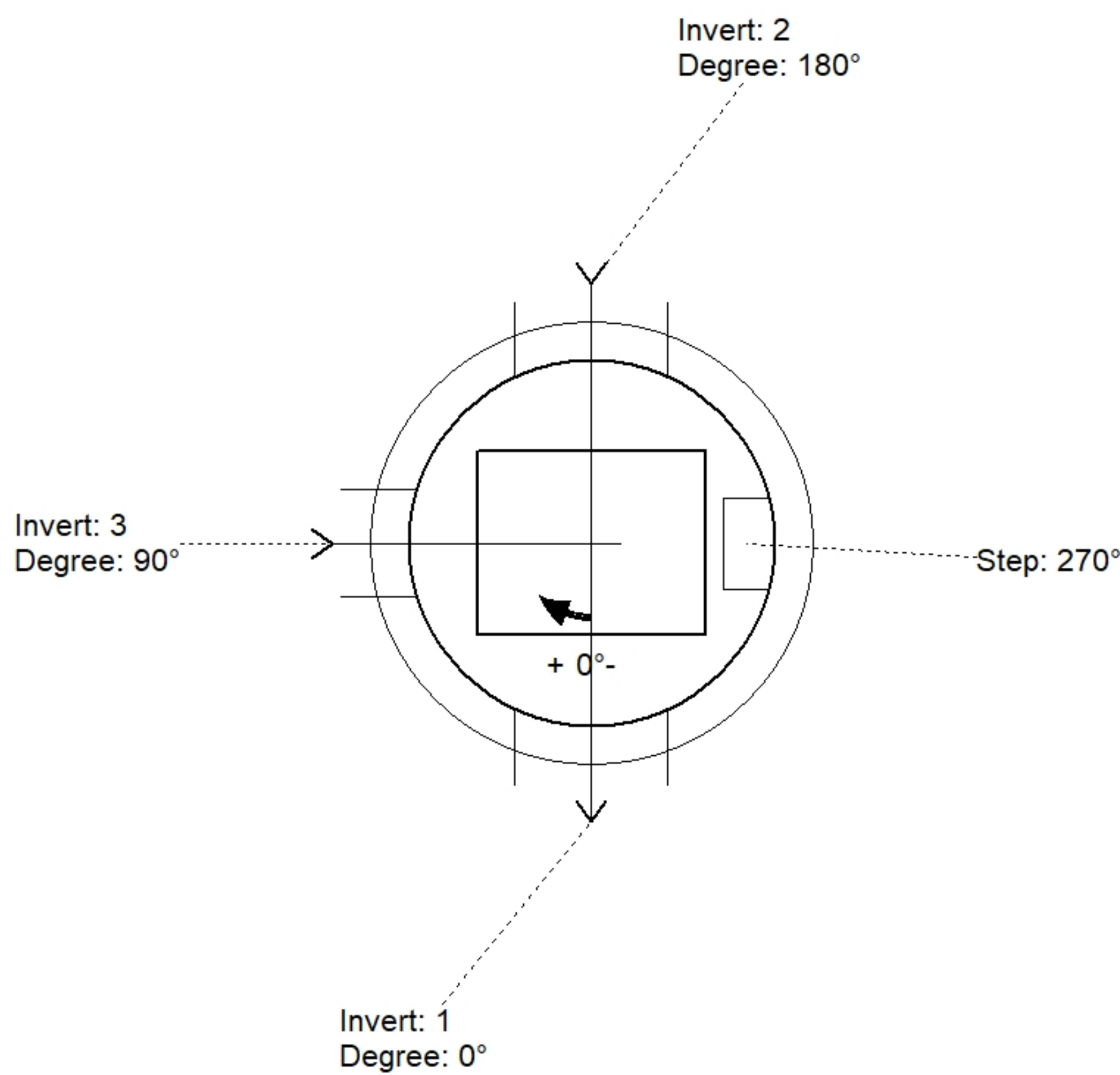
Floor (Bot): 978.94'  
 Overall Height: 7.833'  
 Slack: 1.4"

**Structure Notes:**

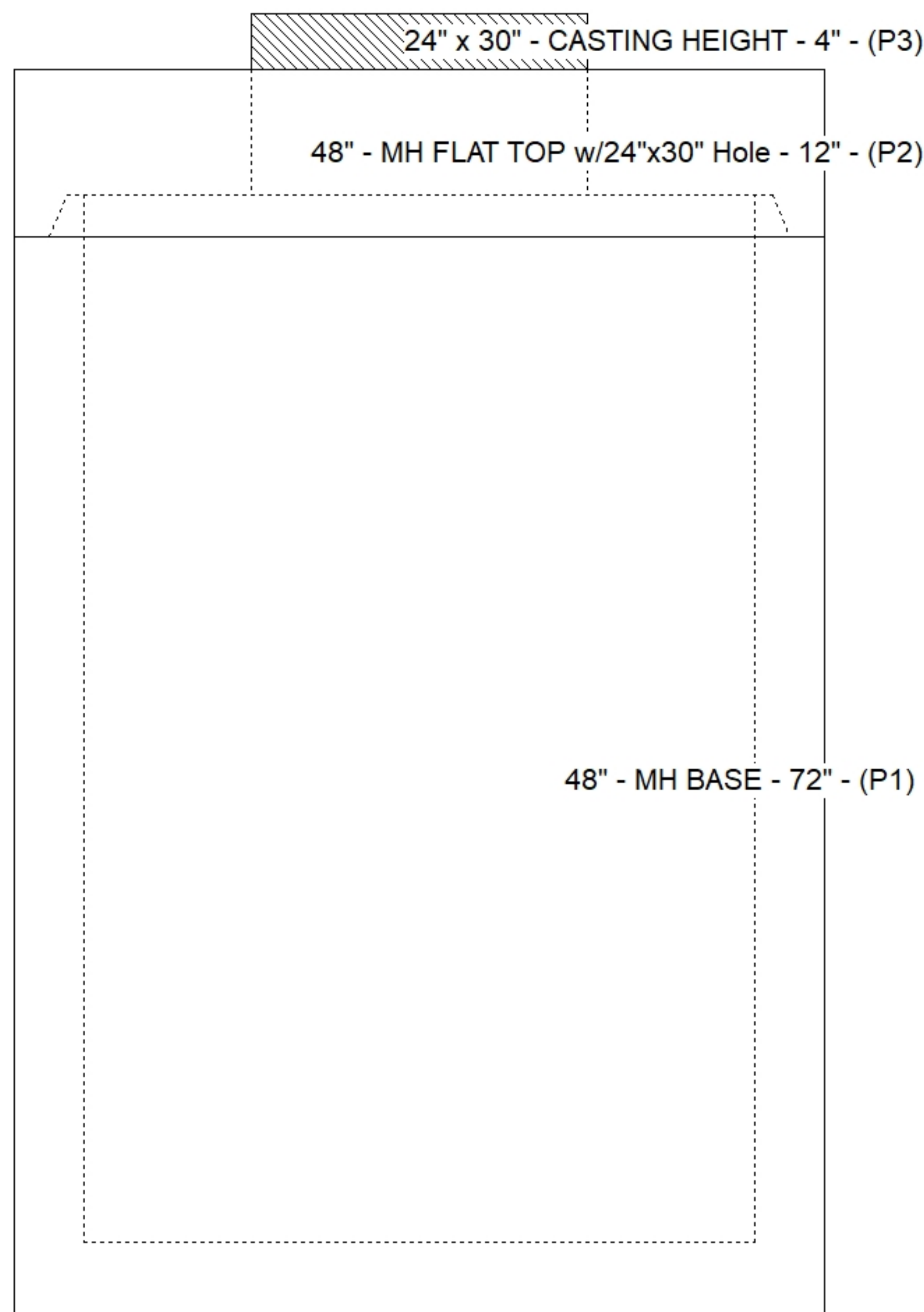
1. DBI TYPE 11 / ASTM C478 SPEC'S.
2. CONCRETE = 4,000 PSI AT 28 DAYS.
3. REINFORCING PER ASTM A615 (GRADE 60.)
4. DBI 11 FRAME/GRATE BY CONTRACTOR.

**STRUCTURE SUMMARY:**

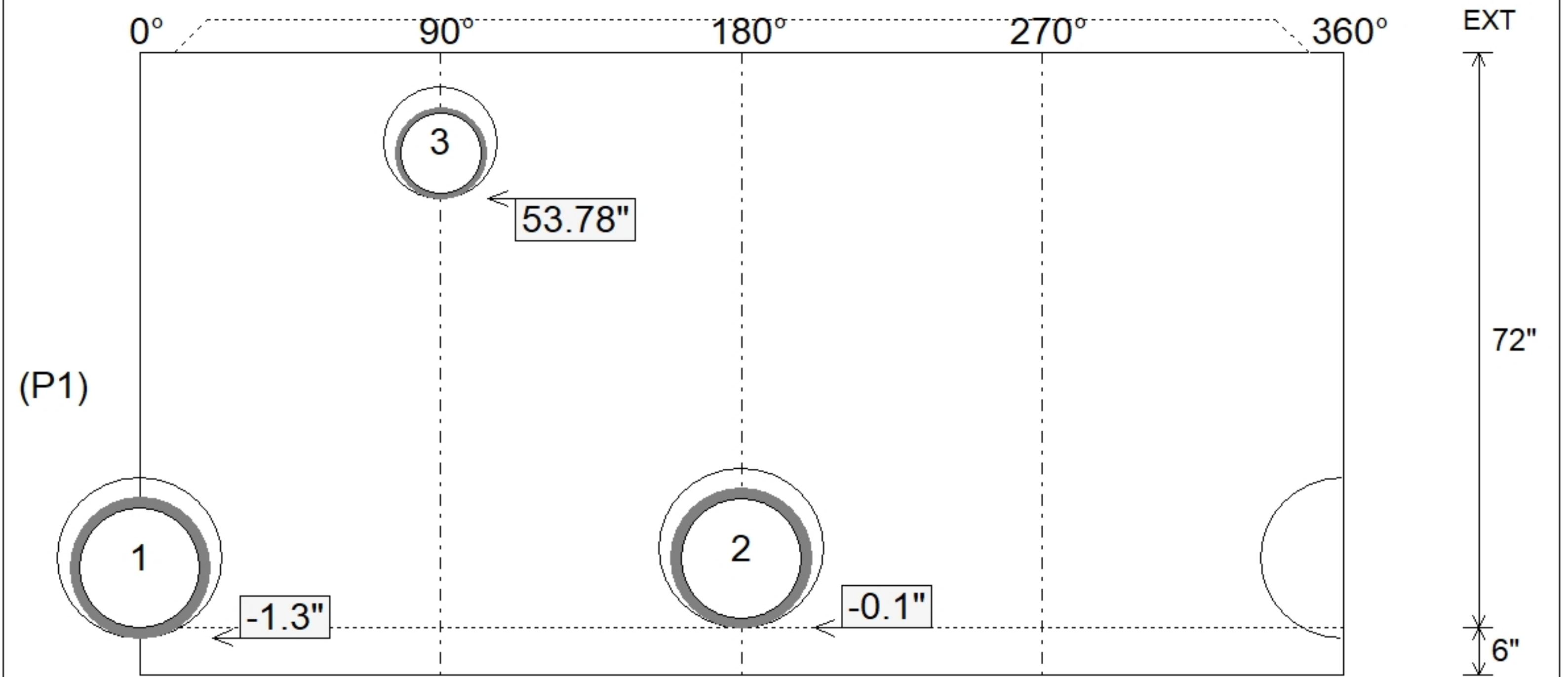
P3) 24" x 30" - CASTING HEIGHT - 4"	0 lb
P2) 48" - MH FLAT TOP w/24"x30" Hole - 12"	1935 lb
P1) 48" - MH BASE - 72"	6024 lb
1) 48" - SGL 1"x14.5' Butyl (2x)	0 lb
2) Hole - 20	0 lb
1) Hole - 14	0 lb
6) MH Step ML-10-TDS-NCR - 10"	0 lb
<b>Structure Total:</b>	<b>7960 lb</b>



Position	Elev	Angle	Pipe	Pipe OD	Hole	Connector	Up (↓)	Ref
Rim	986.89'							
Reducer								
Invert 1	979.44'	0°	15" HDPE	17.6"	20"	Hole 20	-1.3"	P1
Invert 2	979.54'	180°	15" HDPE	17.6"	20"	Hole 20	-0.1"	P1
Invert 3	983.98'	90°	10" HDPE	11.4"	14"	Hole 14	53.78"	P1
Invert 4								
Invert 5								
Invert 6								
Invert 7								
Invert 8								



**Default - Interior Dimensions**



Submittal Drawing  
 11/11/2025 8:37:36 AM

SUBMITTAL  
 APPROVED BY: