

Job Name: 25-2631 The Maxwell PH 2
Job Location: Lexington, KY
Contractor: Woodall Construction Co., Inc.

PC: T. Ryan
 TECH: C. Russ
 Plant: Beaver Dam



Structure ID: **STR 5**

Spec: Storm
 Type: STM.MH (Recessed pipe)
 Size: 48"

Rim: 986.6'
 Invert: 979.05'
 Rim to Invert: 7.55'

Sump: 0"
 Floor (Top): 979.05'
 Floor Height: 6"

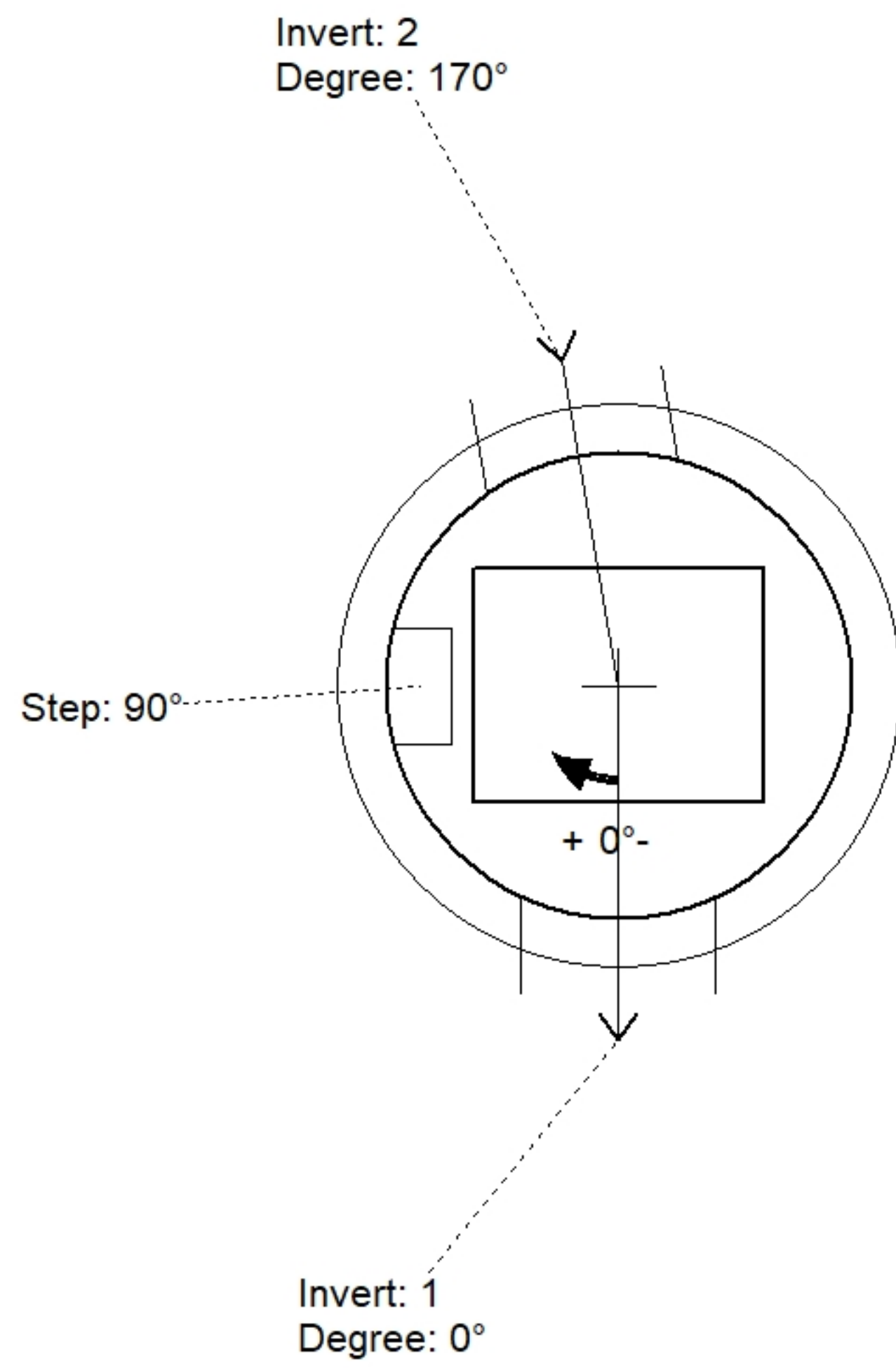
Floor (Bot): 978.55'
 Overall Height: 7.833'
 Slack: 2.6"

Structure Notes:

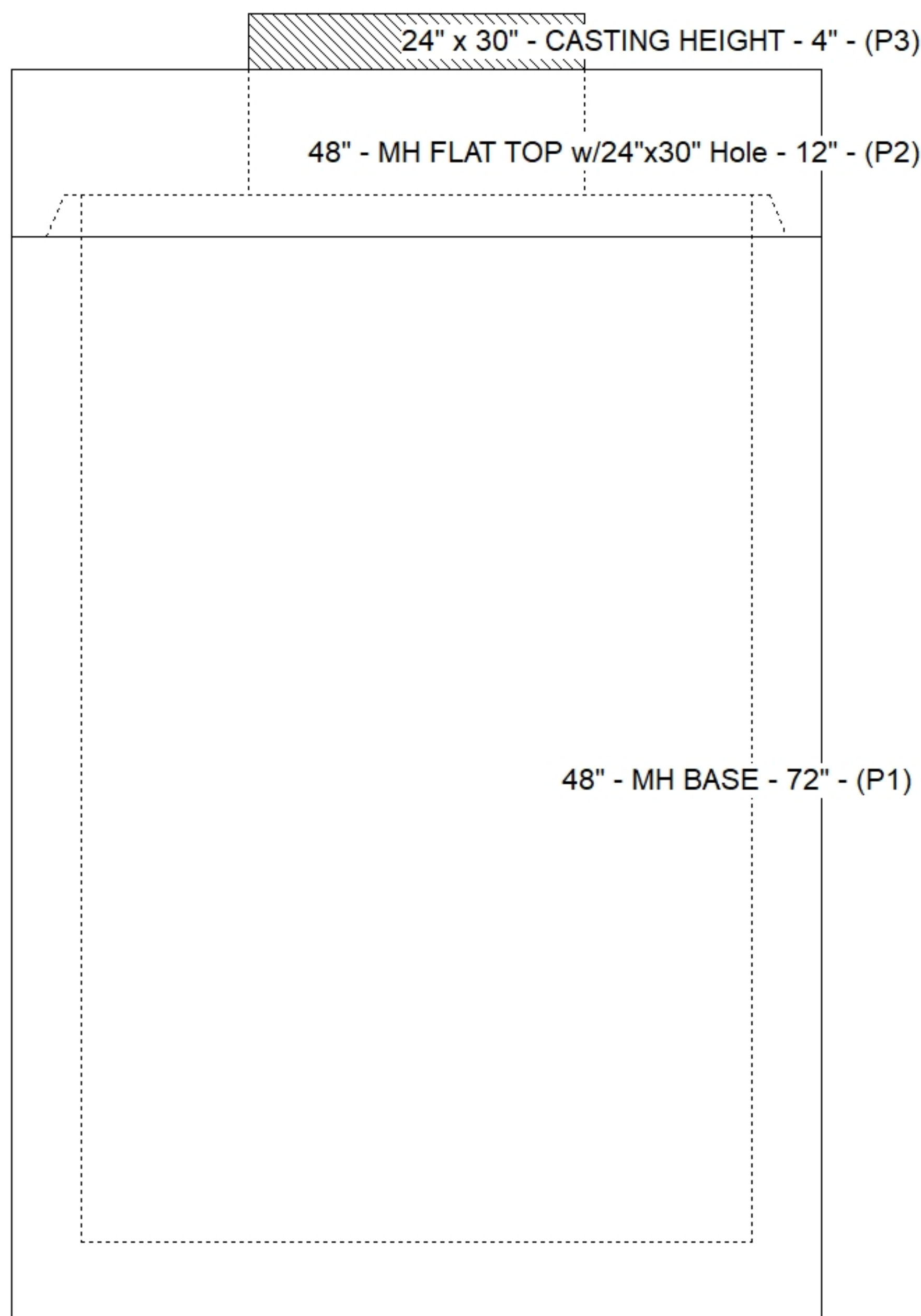
1. DBI TYPE 11 / ASTM C478 SPEC'S.
2. CONCRETE = 4,000 PSI AT 28 DAYS.
3. REINFORCING PER ASTM A615 (GRADE 60.)
4. DBI 11 FRAME/GRATE BY CONTRACTOR.

STRUCTURE SUMMARY:

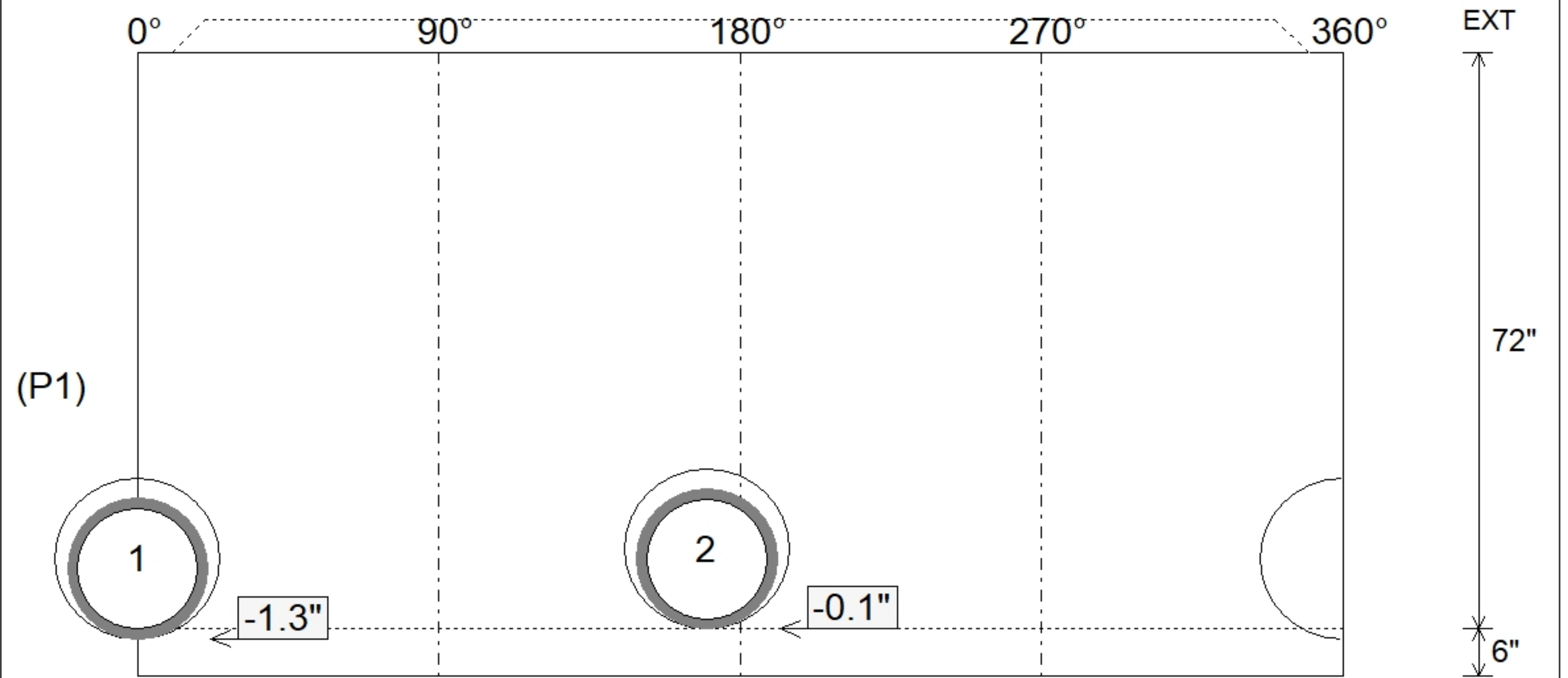
P3) 24" x 30" - CASTING HEIGHT - 4"	0 lb
P2) 48" - MH FLAT TOP w/24"x30" Hole - 12"	1935 lb
P1) 48" - MH BASE - 72"	6090 lb
1) 48" - SGL 1"x14.5' Butyl (2x)	0 lb
2) Hole - 20	0 lb
6) MH Step ML-10-TDS-NCR - 10"	0 lb
Structure Total:	8025 lb



Position	Elev	Angle	Pipe	Pipe OD	Hole	Connector	Up (L)	Ref
Rim	986.6'							
Reducer								
Invert 1	979.05'	0°	15" HDPE	17.6"	20"	Hole 20	-1.3"	P1
Invert 2	979.15'	170°	15" HDPE	17.6"	20"	Hole 20	-0.1"	P1
Invert 3								
Invert 4								
Invert 5								
Invert 6								
Invert 7								
Invert 8								



Default - Interior Dimensions



Submittal Drawing
 11/11/2025 8:37:36 AM

SUBMITTAL
 APPROVED BY: