

Job Name: 25-2631 The Maxwell PH 2  
 Job Location: Lexington, KY  
 Contractor: Woodall Construction Co., Inc.

Plant: Beaver Dam

11/7/2025 12:46:32 PM

Tech: C.Russ

PC: T. Ryan



**Structure ID: STR 5**

**P1 MH048BA72**

**MH BASE**

- P3) 24" x 30" - CASTING HEIGHT - 4"
- P2) 48" - MH FLAT TOP w/24"x30" Hole - 12"
- P1) 48" - MH BASE - 72"
- 1) 48" - SGL 1"x14.5' Butyl (2x)
- 2) Hole - 20"
- 6) MH Step ML-10-TDS-NCR - 10"

- Structure Notes:**
1. DBI TYPE 11 / ASTM C478 SPEC'S.
  2. CONCRETE = 4,000 PSI AT 28 DAYS.
  3. REINFORCING PER ASTM A615 (GRADE 60.)
  4. DBI 11 FRAME/GRATE BY CONTRACTOR.

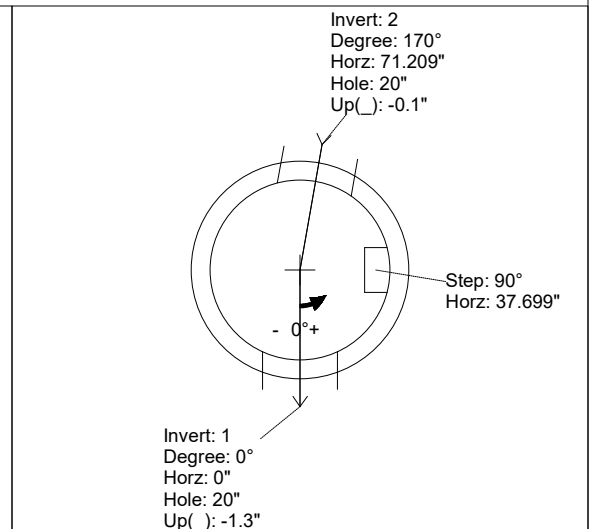
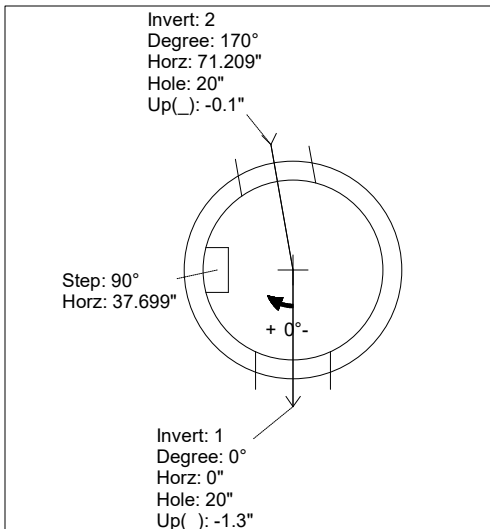
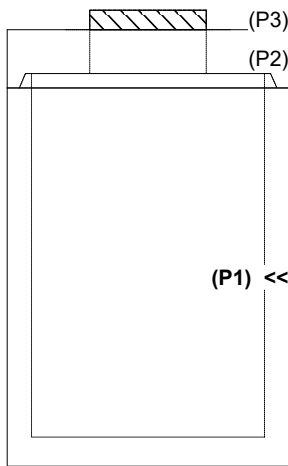
Structure Total: 8025 lb

Rim: 986.6' Rim to Invert: 7.55' Slack: 2.6" Sump: 0" Step Position: 0°

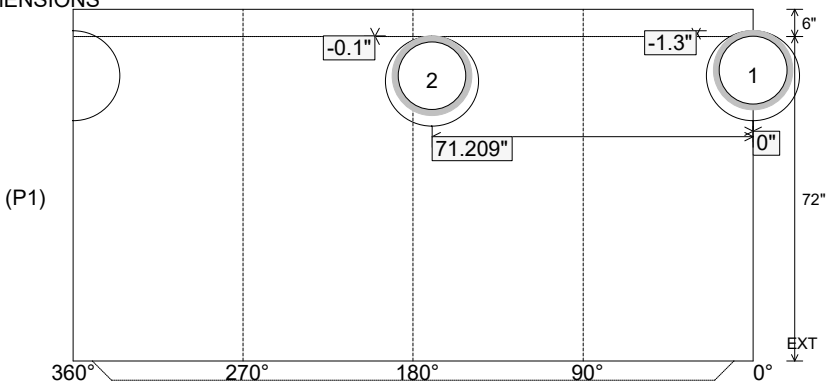
Position	Elev	Angle	Ext. (cw)	Pipe	Pipe OD	Connector	Hole	Horz Size	Up ( )	Offset
Invert 1	979.05'	0°	0"	15" HDPE	17.6"	Hole 20	20"	20.629"	-1.3"	0"
Invert 2	979.15'	170°	86.045"	15" HDPE	17.6"	Hole 20	20"	20.629"	-0.1"	0"
Invert 3										
Invert 4										
Invert 5										
Invert 6										
Invert 7										
Invert 8										

RIGHT-SIDE UP VIEW (int. dimensions)

UPSIDE-DOWN VIEW (int. dimensions)



INSIDE WALL DIMENSIONS



Coating (Int):  
 Coating (Ext):

Seam Up: Tongue  
 Seam Dn: n/a

Wall Thickness: 5"  
 Floor Height: 6"

Height (Int): 72"  
 Height (Ext): 78"

Weight (Net): 6090 lb  
 Volume (Net): 1.56cu.yd