

**Job Name: 25-2631 The Maxwell PH 2**  
**Job Location: Lexington, KY**  
**Contractor: Woodall Construction Co., Inc.**

PC: T. Ryan  
 TECH: C.Russ  
 Plant: Beaver Dam



Structure ID: **STR 4**  
 Spec: Storm  
 Type: STM.MH (Recessed pipe)  
 Size: 48"

Rim: 985.56'  
 Invert: 975.68'  
 Rim to Invert: 9.88'

Sump: 0"  
 Floor (Top): 975.68'  
 Floor Height: 6"

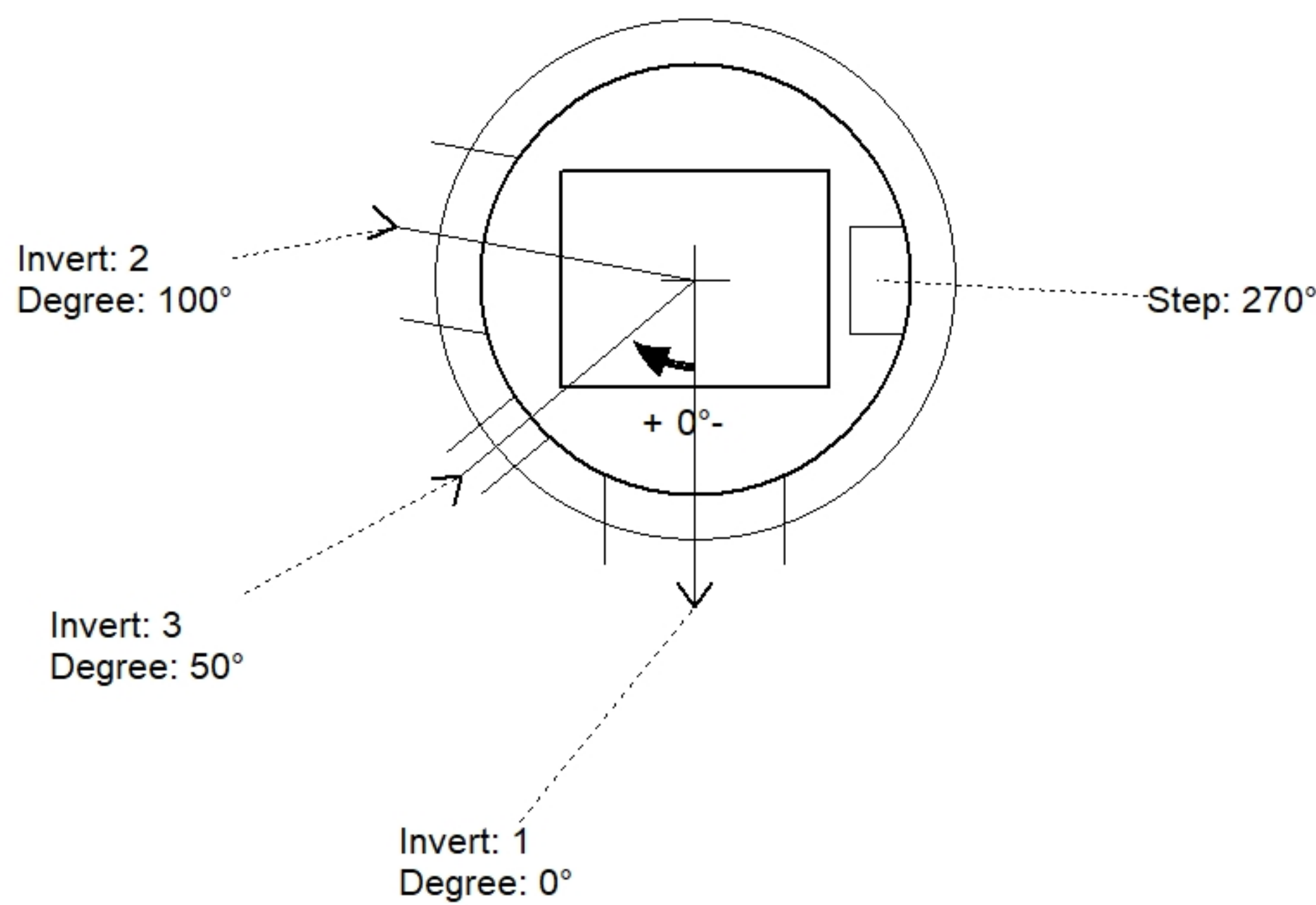
Floor (Bot): 975.18'  
 Overall Height: 10.333'  
 Slack: 0.56"

**Structure Notes:**

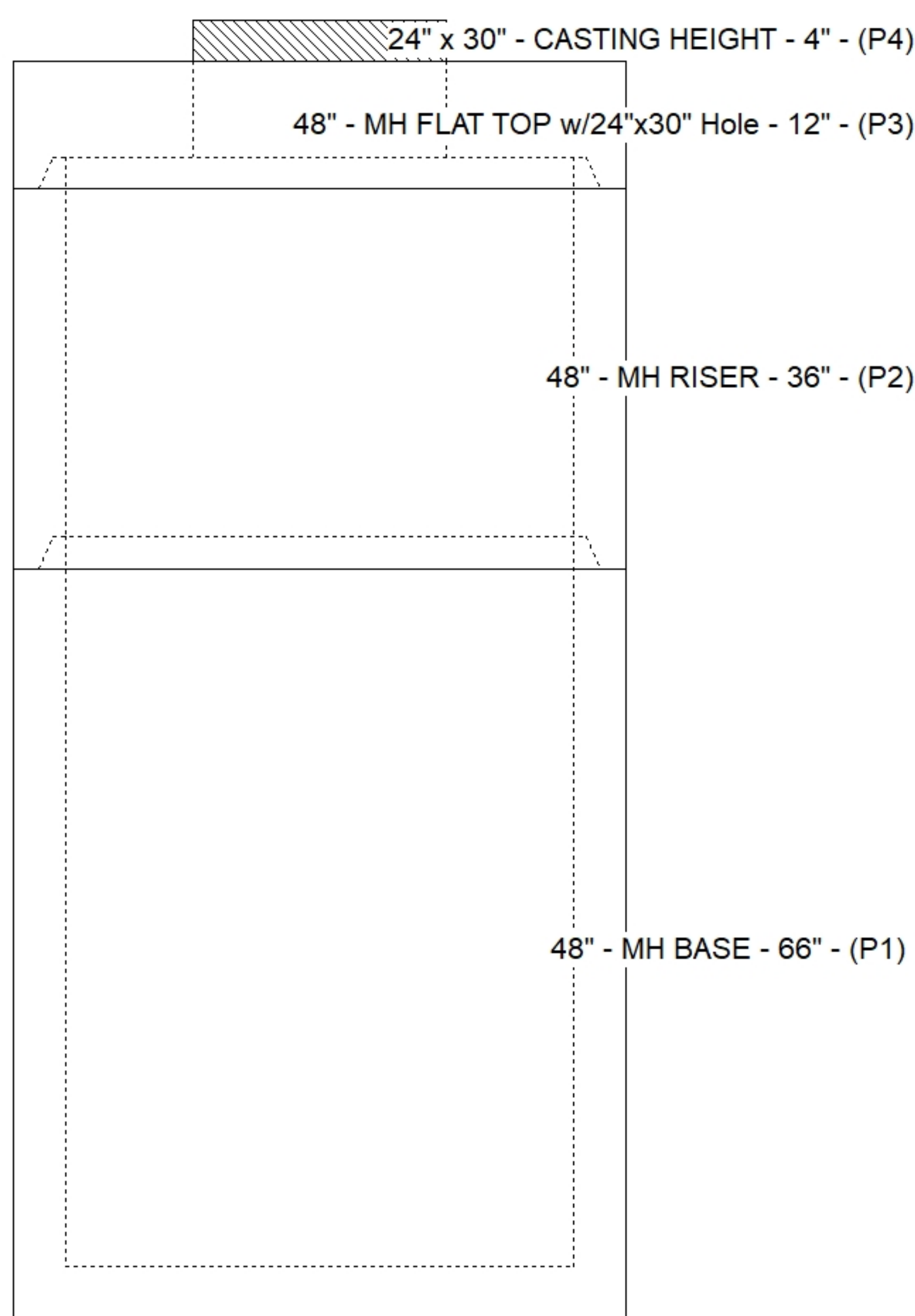
1. DBI TYPE 11 / ASTM C478 SPEC'S.
2. CONCRETE = 4,000 PSI AT 28 DAYS.
3. REINFORCING PER ASTM A615 (GRADE 60.)
4. DBI 11 FRAME/GRATE BY CONTRACTOR.

**STRUCTURE SUMMARY:**

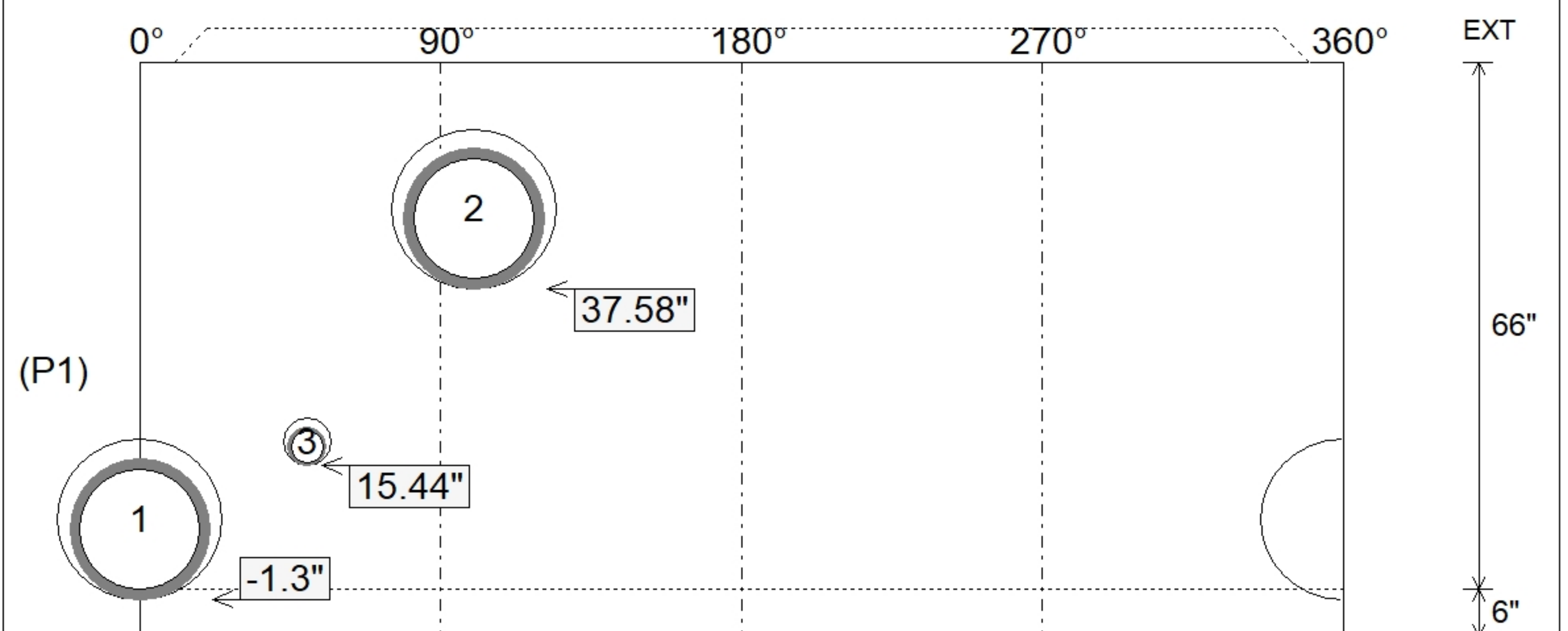
P4) 24" x 30" - CASTING HEIGHT - 4"	0 lb
P3) 48" - MH FLAT TOP w/24"x30" Hole - 12"	1935 lb
P2) 48" - MH RISER - 36"	2515 lb
P1) 48" - MH BASE - 66"	5658 lb
2) 48" - SGL 1"x14.5' Butyl (2x)	0 lb
2) Hole - 20	0 lb
1) Hole - 6	0 lb
9) MH Step ML-10-TDS-NCR - 10"	0 lb
<b>Structure Total:</b>	<b>10109 lb</b>



Position	Elev	Angle	Pipe	Pipe OD	Hole	Connector	Up (")	Ref
Rim	985.56'							
Reducer								
Invert 1	975.68'	0°	15" HDPE	17.6"	20"	Hole 20	-1.3"	P1
Invert 2	978.92'	100°	15" HDPE	17.6"	20"	Hole 20	37.58"	P1
Invert 3	977'	50°	4" HDPE (perf pipe)	4.8"	6"	Hole 6	15.44"	P1
Invert 4								
Invert 5								
Invert 6								
Invert 7								
Invert 8								



**Default - Interior Dimensions**



Submittal Drawing  
 11/11/2025 8:37:35 AM

SUBMITTAL  
 APPROVED BY: