

Job Name: 25-2631 The Maxwell PH 2
Job Location: Lexington, KY
Contractor: Woodall Construction Co., Inc.

PC: T. Ryan
 TECH: C. Russ
 Plant: Beaver Dam



Structure ID: **SSMH-4**
 Spec: Sanitary
 Type: SAN.MH
 Size: 48"

Rim: 978.61'
 Invert: 975.36'
 Rim to Invert: 3.25'

Sump: 2.04"
 Floor (Top): 975.19'
 Floor Height: 6"

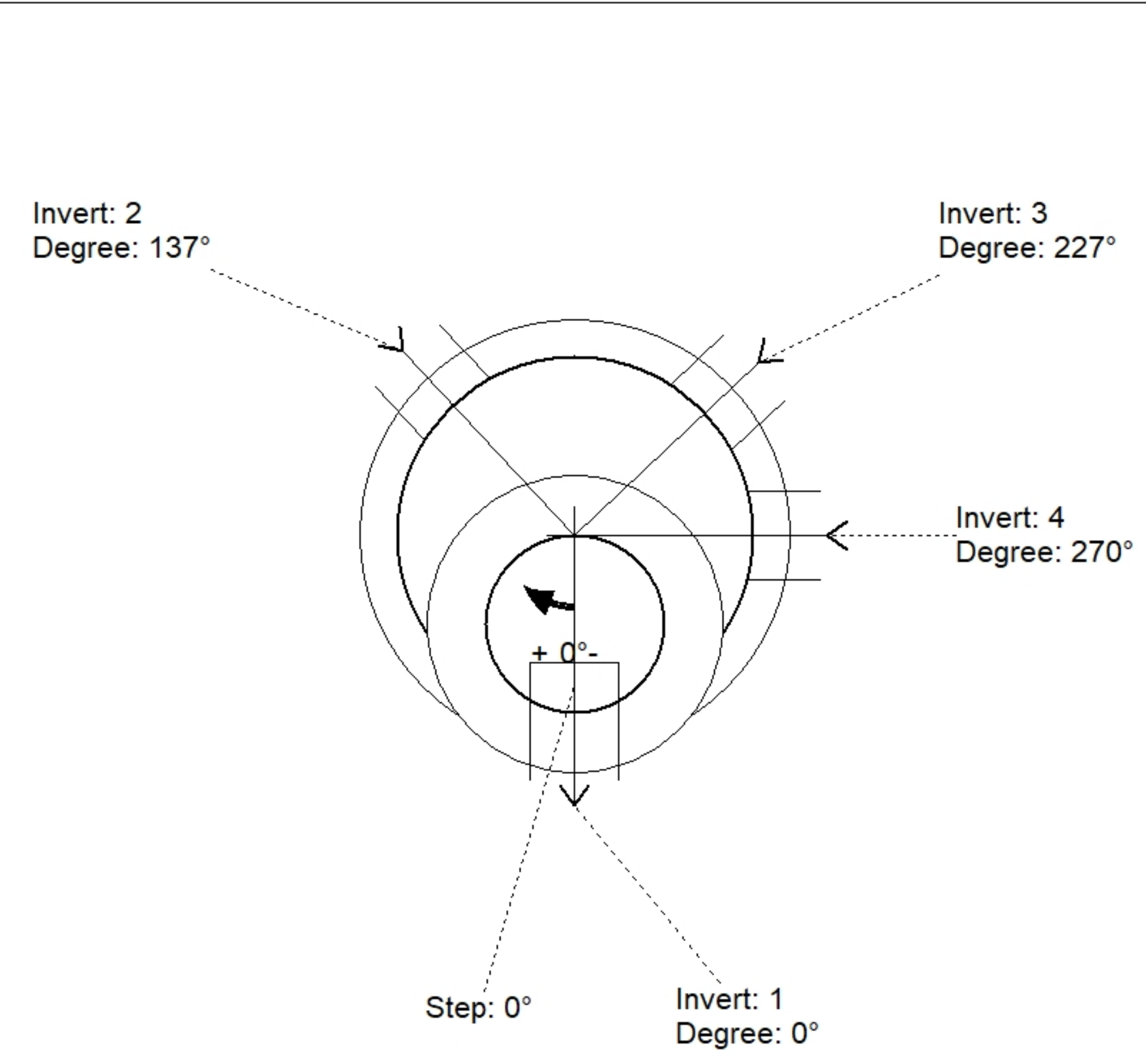
Floor (Bot): 974.69'
 Overall Height: 3.917'
 Slack: 0.04"

Structure Notes:

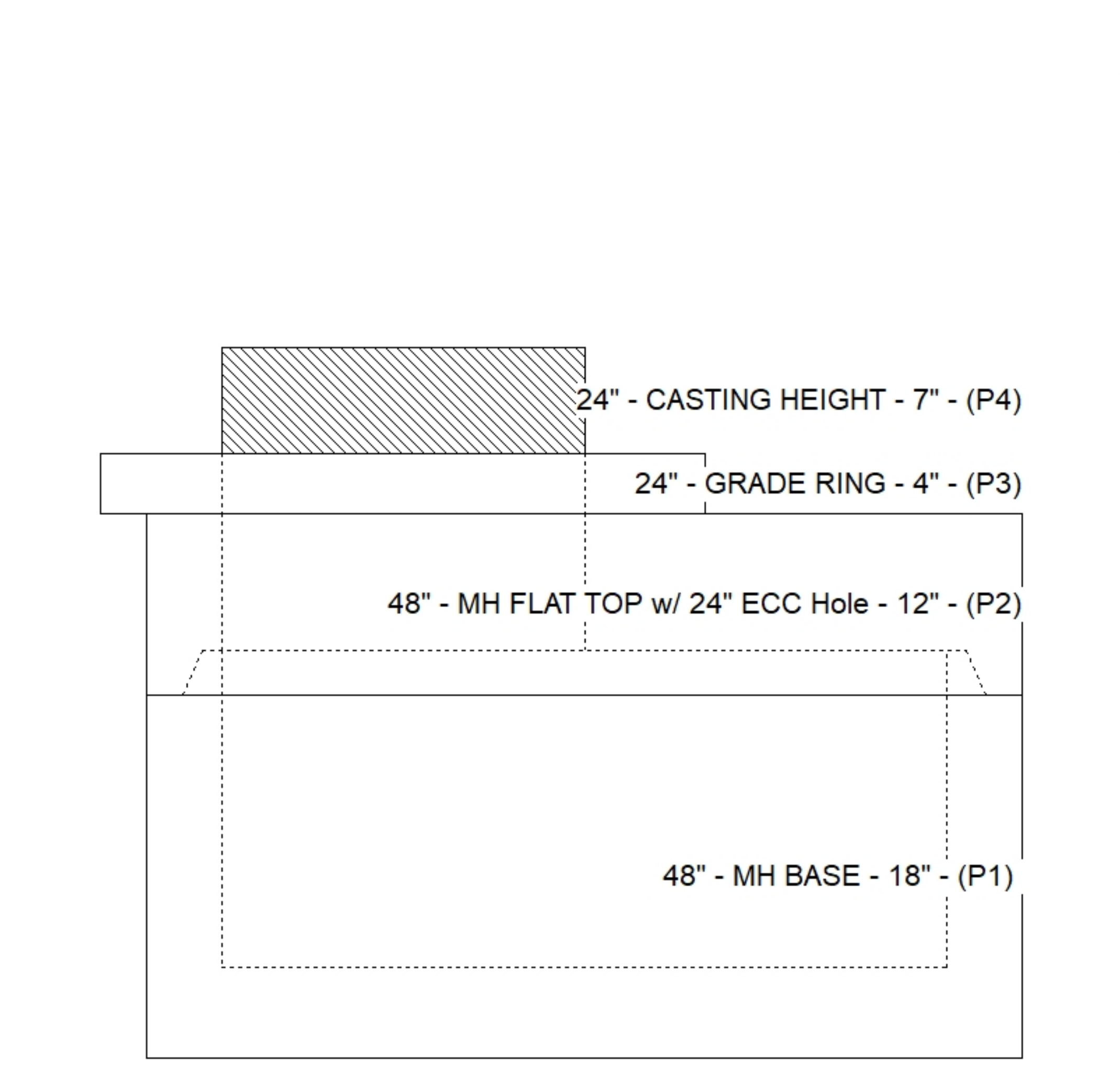
1. CASTING PROVIDED BY OTHERS
2. PER ASTM C478 SPECIFICATIONS.
3. CONCRETE = 4,000 PSI AT 28 DAYS.
4. REINFORCING PER ASTM A615 (GRADE 60).
 - CONE (As .12)
 - RISER/WALLS (As .12)
 - FLOOR (As .31) #5 BARS AT 12" C.C.E.W.

STRUCTURE SUMMARY:

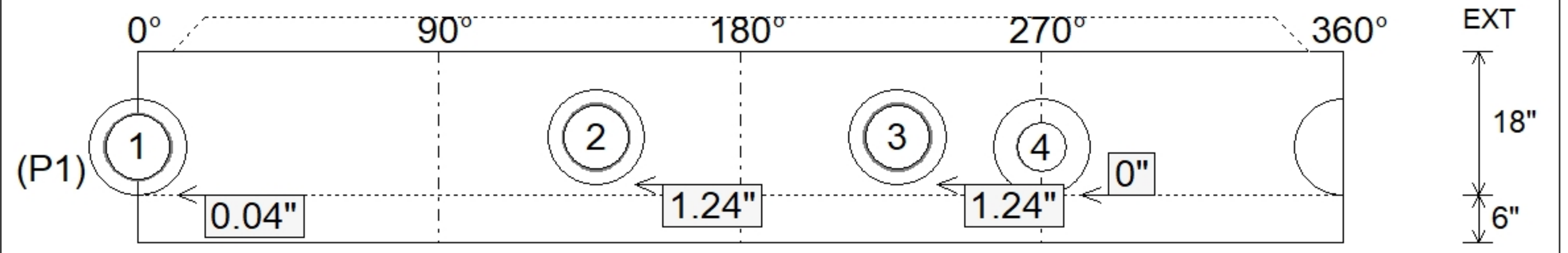
P4) 24" - CASTING HEIGHT - 7"	0 lb
P3) 24" - GRADE RING - 4"	270 lb
P2) 48" - MH FLAT TOP w/ 24" ECC Hole - 12"	1561 lb
P1) 48" - MH BASE - 18"	2396 lb
1) JOINT WRAP - 0.065"x6"x50' CONSEAL CS212	0 lb
1) JOINT WRAP PRIMER - CONSEAL CS-75 (1 gal.)	0 lb
1) 48" - MH INVERT CHANNEL - FULL HEIGHT	1440 lb
1) 48" - DBL 1"x14.5' Butyl (2x)	0 lb
3) PSX - 12-08 NYLO	24 lb
1) PSX - 12-06 NYLO	8 lb
1) MH Step ML-10-TDS-NCR - 10"	0 lb
Structure Total:	5699 lb



Position	Elev	Angle	Pipe	Pipe OD	Hole	Connector	Up (")	Ref
Rim	978.61'							
Reducer								
Invert 1	975.36'	0°	8" PVC SDR35	8.5"	12"	PSX 12-08 NYLO	0.04"	P1
Invert 2	975.46'	137°	8" PVC SDR35	8.5"	12"	PSX 12-08 NYLO	1.24"	P1
Invert 3	975.46'	227°	8" PVC SDR35	8.5"	12"	PSX 12-08 NYLO	1.24"	P1
Invert 4	975.44'	270°	6" PVC SDR35	6.25"	12"	PSX 12-06 NYLO	0"	P1
Invert 5								
Invert 6								
Invert 7								
Invert 8								



Default - Interior Dimensions



Submittal Drawing
 11/11/2025 8:37:34 AM

SUBMITTAL
 APPROVED BY: