

Job Name: 25-2631 The Maxwell PH 2
Job Location: Lexington, KY
Contractor: Woodall Construction Co., Inc.

PC: T. Ryan
 TECH: C. Russ
 Plant: Beaver Dam



Structure ID: **SSMH-3**
 Spec: Sanitary
 Type: SAN.MH
 Size: 48"

Rim: 987.6'
 Invert: 982.25'
 Rim to Invert: 5.35'

Sump: 2"
 Floor (Top): 982.083'
 Floor Height: 6"

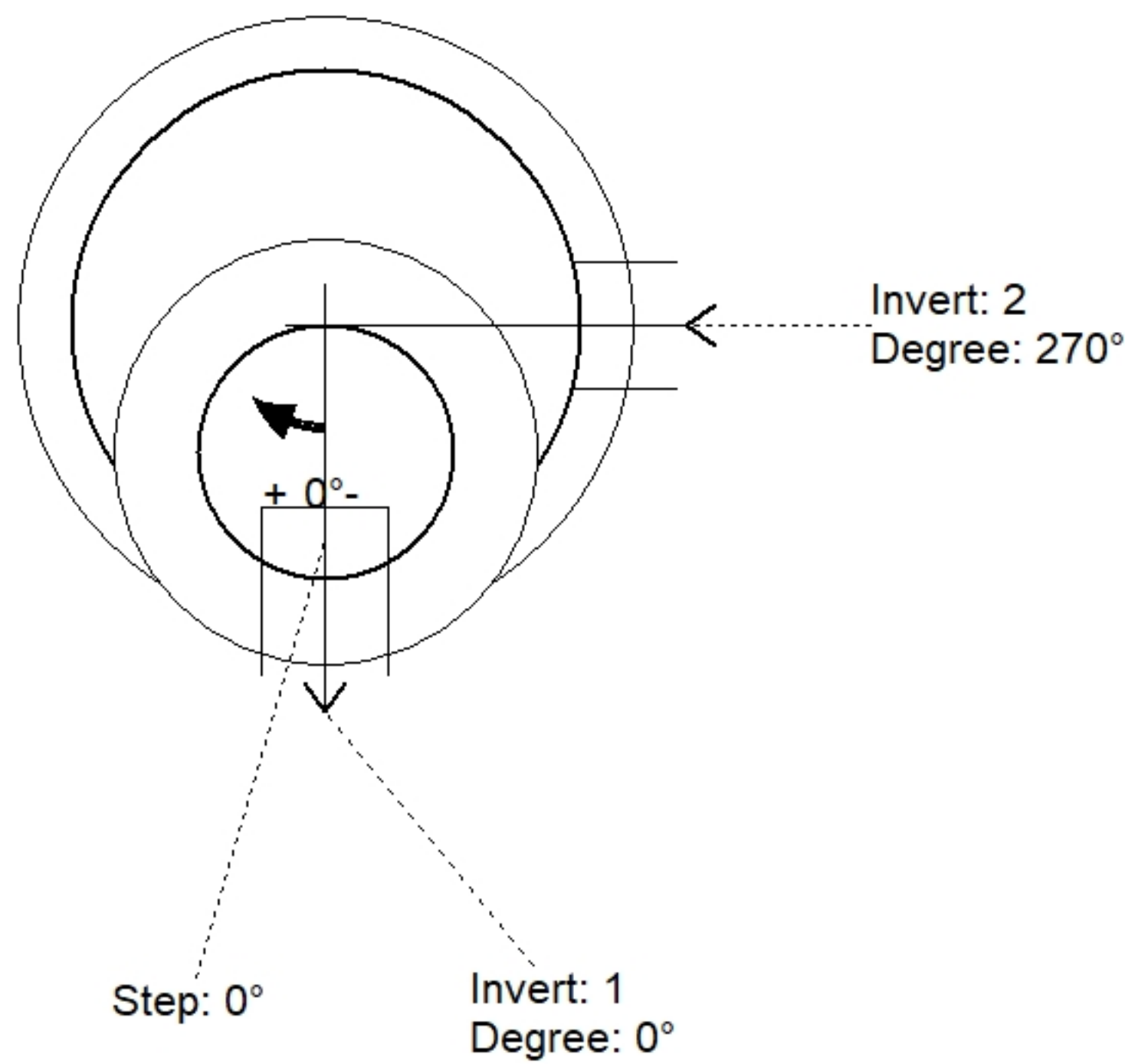
Floor (Bot): 981.583'
 Overall Height: 5.917'
 Slack: 1.2"

Structure Notes:

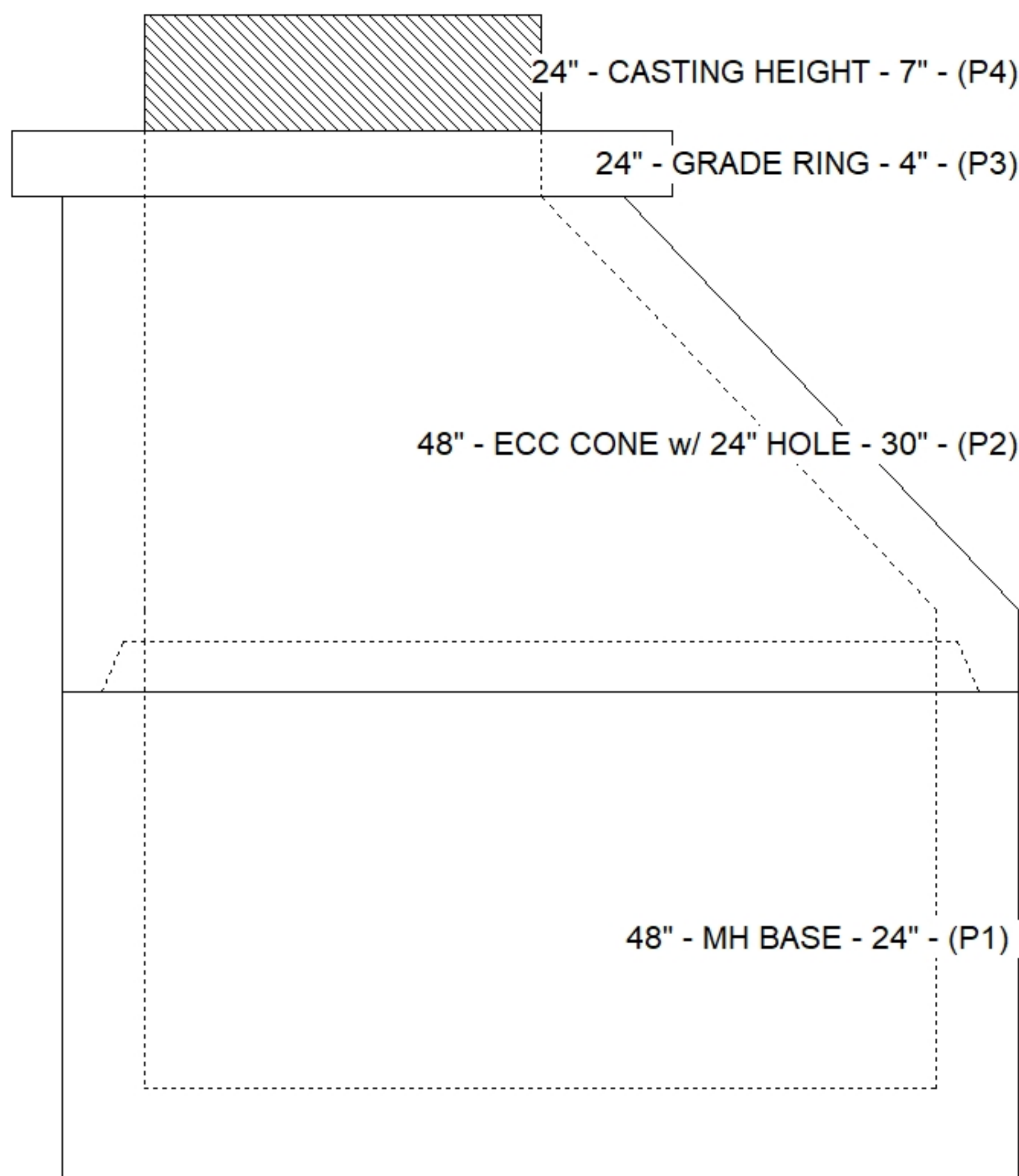
1. CASTING PROVIDED BY OTHERS
2. PER ASTM C478 SPECIFICATIONS.
3. CONCRETE = 4,000 PSI AT 28 DAYS.
4. REINFORCING PER ASTM A615 (GRADE 60).
 - CONE (As .12)
 - RISER/WALLS (As .12)
 - FLOOR (As .31) #5 BARS AT 12" C.C.E.W.

STRUCTURE SUMMARY:

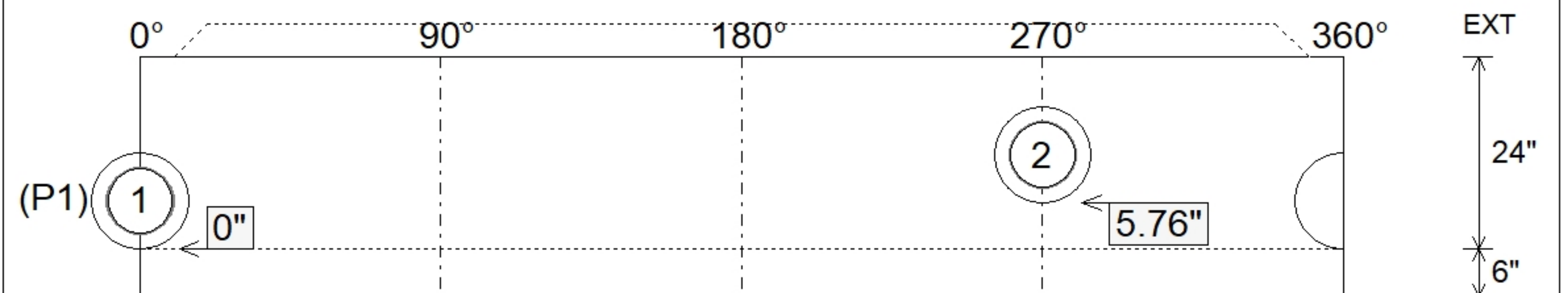
| | |
|---|----------------|
| P4) 24" - CASTING HEIGHT - 7" | 0 lb |
| P3) 24" - GRADE RING - 4" | 270 lb |
| P2) 48" - ECC CONE w/ 24" HOLE - 30" | 2050 lb |
| P1) 48" - MH BASE - 24" | 2911 lb |
| 1) JOINT WRAP - 0.065"x6"x50' CONSEAL CS212 | 0 lb |
| 1) JOINT WRAP PRIMER - CONSEAL CS-75 (1 gal.) | 0 lb |
| 1) 48" - MH INVERT CHANNEL - FULL HEIGHT | 1440 lb |
| 1) 48" - DBL 1"x14.5' Butyl (2x) | 0 lb |
| 2) PSX - 12-08 NYLO | 16 lb |
| 4) MH Step ML-10-TDS-NCR - 10" | 0 lb |
| Structure Total: | 6687 lb |



| Position | Elev | Angle | Pipe | Pipe OD | Hole | Connector | Up () | Ref |
|----------|---------|-------|--------------|---------|------|----------------|--------|-----|
| Rim | 987.6' | | | | | | | |
| Reducer | | | | | | | | |
| Invert 1 | 982.25' | 0° | 8" PVC SDR35 | 8.5" | 12" | PSX 12-08 NYLO | 0" | P1 |
| Invert 2 | 982.73' | 270° | 8" PVC SDR35 | 8.5" | 12" | PSX 12-08 NYLO | 5.76" | P1 |
| Invert 3 | | | | | | | | |
| Invert 4 | | | | | | | | |
| Invert 5 | | | | | | | | |
| Invert 6 | | | | | | | | |
| Invert 7 | | | | | | | | |
| Invert 8 | | | | | | | | |



Default - Interior Dimensions



Submittal Drawing
 11/11/2025 8:37:34 AM

SUBMITTAL
 APPROVED BY: