

Job Name: 25-2631 The Maxwell PH 2
Job Location: Lexington, KY
Contractor: Woodall Construction Co., Inc.

PC: T. Ryan
 TECH: C.Russ
 Plant: Beaver Dam



Structure ID: **SSMH-2**
 Spec: Sanitary
 Type: SAN.MH
 Size: 48"

Rim: 987.3'
 Invert: 982.58'
 Rim to Invert: 4.72'

Sump: 2"
 Floor (Top): 982.413'
 Floor Height: 6"

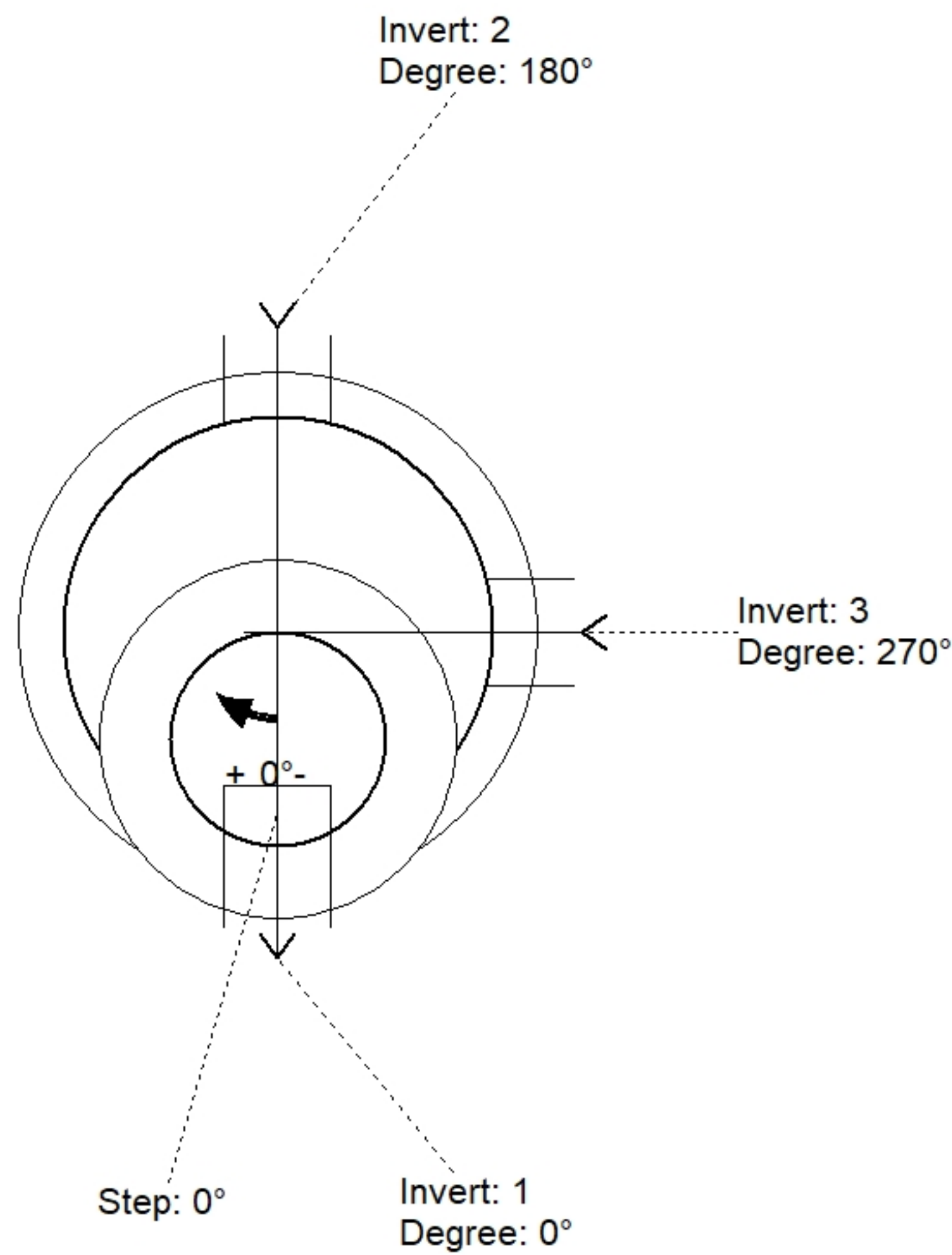
Floor (Bot): 981.913'
 Overall Height: 5.333'
 Slack: 0.64"

Structure Notes:

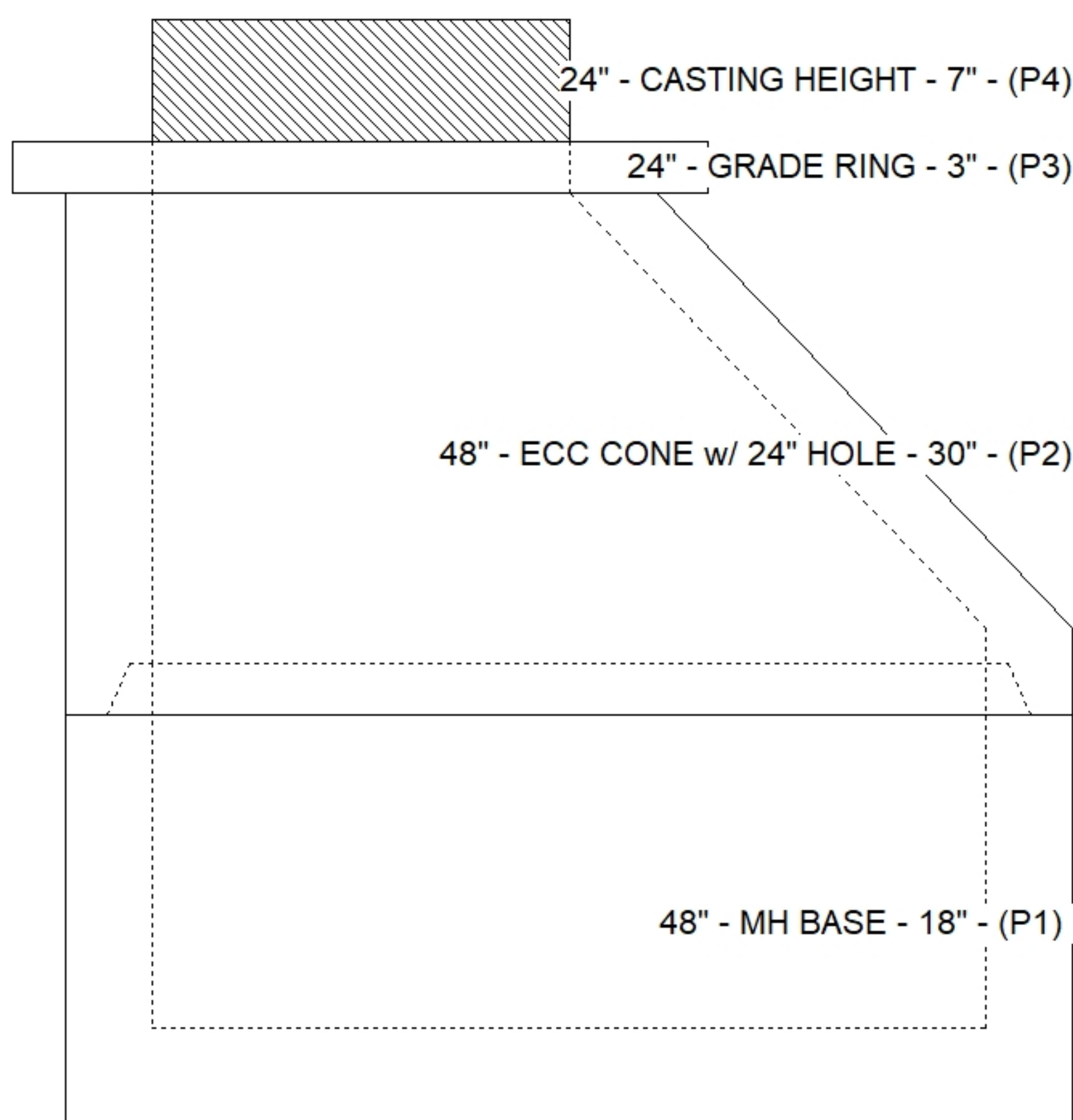
1. CASTING PROVIDED BY OTHERS
2. PER ASTM C478 SPECIFICATIONS.
3. CONCRETE = 4,000 PSI AT 28 DAYS.
4. REINFORCING PER ASTM A615 (GRADE 60).
 - CONE (As .12)
 - RISER/WALLS (As .12)
 - FLOOR (As .31) #5 BARS AT 12" C.C.E.W.

STRUCTURE SUMMARY:

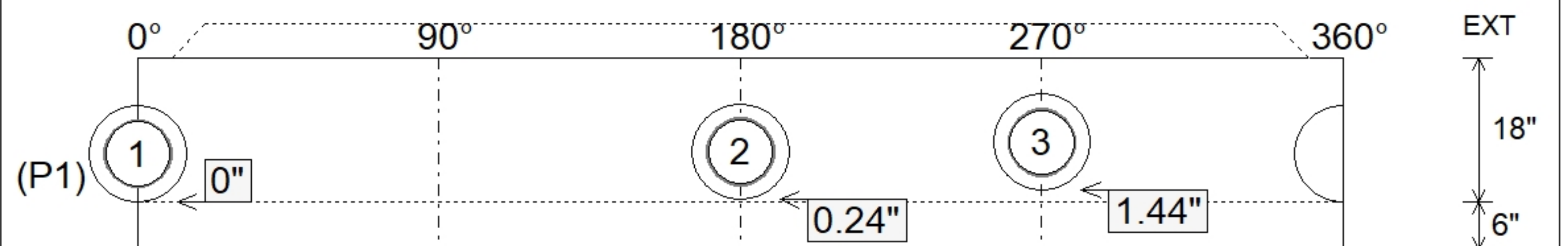
P4) 24" - CASTING HEIGHT - 7"	0 lb
P3) 24" - GRADE RING - 3"	202 lb
P2) 48" - ECC CONE w/ 24" HOLE - 30"	2050 lb
P1) 48" - MH BASE - 18"	2444 lb
1) JOINT WRAP - 0.065"x6"x50' CONSEAL CS212	0 lb
1) JOINT WRAP PRIMER - CONSEAL CS-75 (1 gal.)	0 lb
1) 48" - MH INVERT CHANNEL - FULL HEIGHT	1440 lb
1) 48" - DBL 1"x14.5' Butyl (2x)	0 lb
3) PSX - 12-08 NYLO	24 lb
4) MH Step ML-10-TDS-NCR - 10"	0 lb
Structure Total:	6160 lb



Position	Elev	Angle	Pipe	Pipe OD	Hole	Connector	Up ()	Ref
Rim	987.3'							
Reducer								
Invert 1	982.58'	0°	8" PVC SDR35	8.5"	12"	PSX 12-08 NYLO	0"	P1
Invert 2	982.6'	180°	8" PVC SDR35	8.5"	12"	PSX 12-08 NYLO	0.24"	P1
Invert 3	982.7'	270°	8" PVC SDR35	8.5"	12"	PSX 12-08 NYLO	1.44"	P1
Invert 4								
Invert 5								
Invert 6								
Invert 7								
Invert 8								



Default - Interior Dimensions



Submittal Drawing
 11/11/2025 8:37:33 AM

SUBMITTAL
 APPROVED BY: