

**Job Name: 25-2631 The Maxwell PH 2**  
**Job Location: Lexington, KY**  
**Contractor: Woodall Construction Co., Inc.**

PC: T. Ryan  
 TECH: C.Russ  
 Plant: Beaver Dam



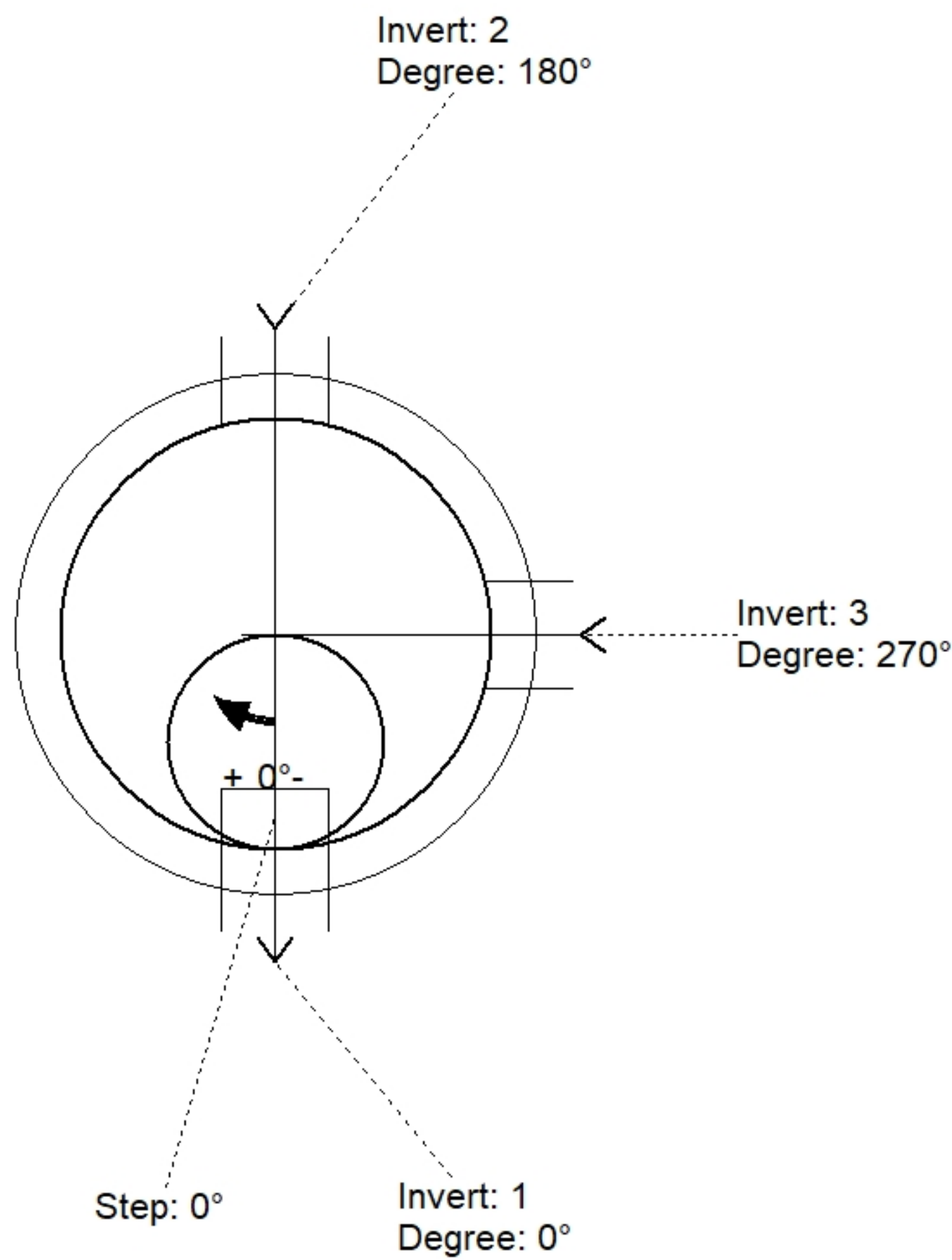
Structure ID: **SSMH-1**  
 Spec: Sanitary Rim: 986.46' Sump: 2" Floor (Bot): 982.353'  
 Type: SAN.MH Invert: 983.02' Floor (Top): 982.853' Overall Height: 4.083'  
 Size: 48" Rim to Invert: 3.44' Floor Height: 6" Slack: 0.28"

**Structure Notes:**

1. CASTING PROVIDED BY OTHERS
2. PER ASTM C478 SPECIFICATIONS.
3. CONCRETE = 4,000 PSI AT 28 DAYS.
4. REINFORCING PER ASTM A615 (GRADE 60).
  - CONE (As .12)
  - RISER/WALLS (As .12)
  - FLOOR (As .31) #5 BARS AT 12" C.C.E.W.

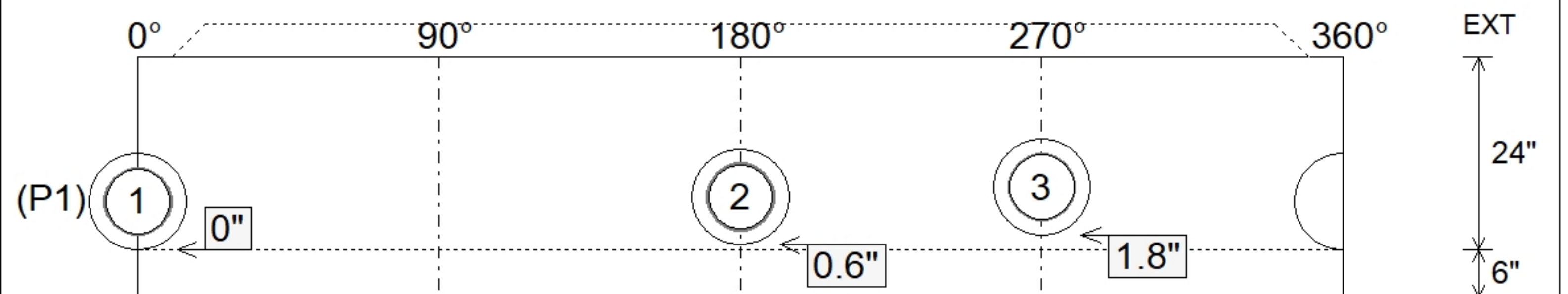
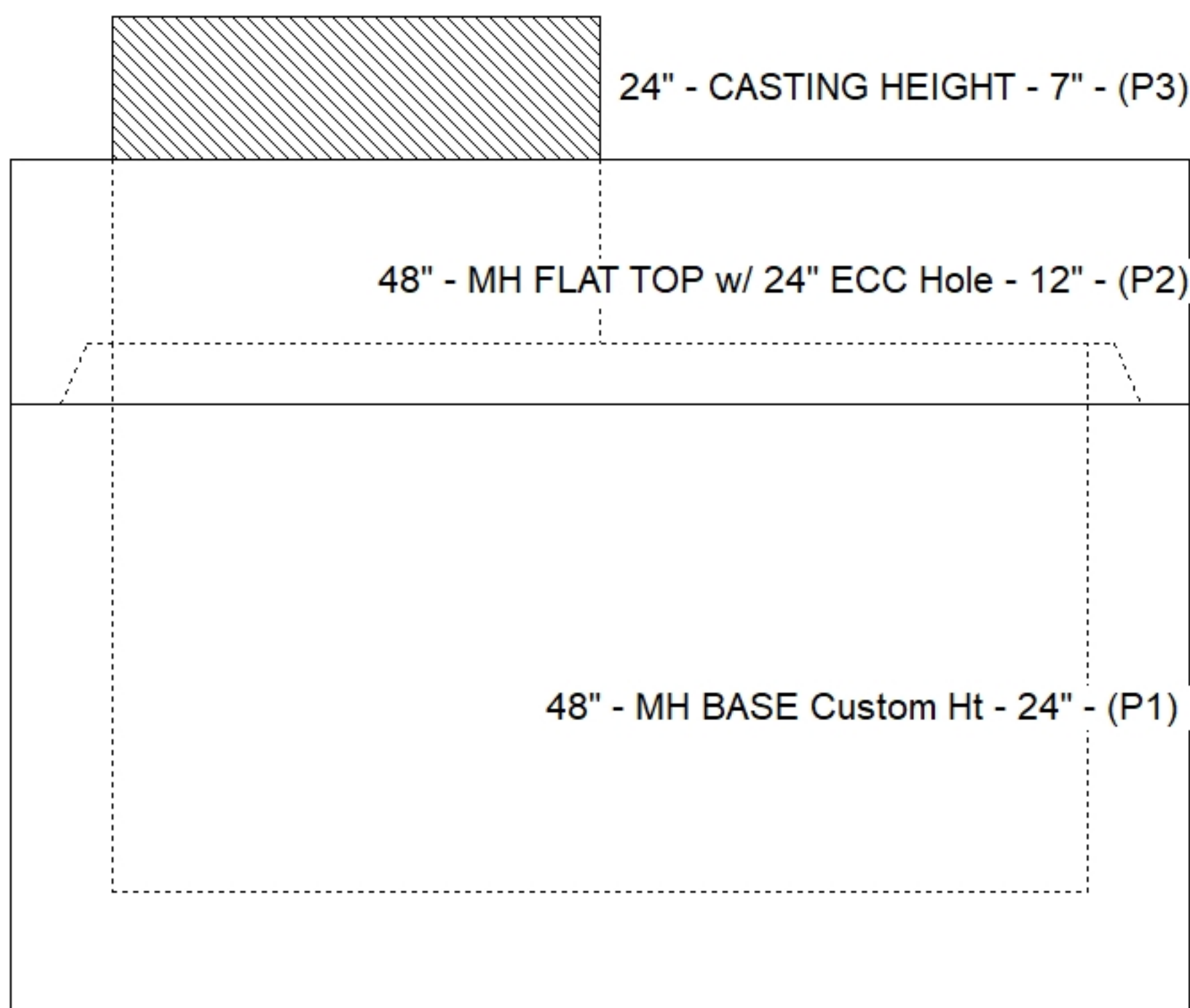
**STRUCTURE SUMMARY:**

P3) 24" - CASTING HEIGHT - 7"	0 lb
P2) 48" - MH FLAT TOP w/ 24" ECC Hole - 12"	1561 lb
P1) 48" - MH BASE Custom Ht - 24"	2863 lb
1) JOINT WRAP - 0.065"x6"x50' CONSEAL CS212	0 lb
1) JOINT WRAP PRIMER - CONSEAL CS-75 (1 gal.)	0 lb
1) 48" - MH INVERT CHANNEL - FULL HEIGHT	1440 lb
1) 48" - DBL 1"x14.5' Butyl (2x)	0 lb
3) PSX - 12-08 NYLO	24 lb
1) MH Step ML-10-TDS-NCR - 10"	0 lb
<b>Structure Total:</b>	<b>5888 lb</b>



Position	Elev	Angle	Pipe	Pipe OD	Hole	Connector	Up (")	Ref
Rim	986.46'							
Reducer								
Invert 1	983.02'	0°	8" PVC SDR35	8.5"	12"	PSX 12-08 NYLO	0"	P1
Invert 2	983.07'	180°	8" PVC SDR35	8.5"	12"	PSX 12-08 NYLO	0.6"	P1
Invert 3	983.17'	270°	8" PVC SDR35	8.5"	12"	PSX 12-08 NYLO	1.8"	P1
Invert 4								
Invert 5								
Invert 6								
Invert 7								
Invert 8								

**Default - Interior Dimensions**



Submittal Drawing  
 11/11/2025 8:37:32 AM

SUBMITTAL  
 APPROVED BY: