

**Job Name: 25-2631 The Maxwell PH 2**  
**Job Location: Lexington, KY**  
**Contractor: Woodall Construction Co., Inc.**

PC: T. Ryan  
 TECH: C. Russ  
 Plant: Beaver Dam



Structure ID: OS 3  
 Spec: Storm  
 Type: STM.MH (Recessed pipe)  
 Size: 48"

Rim: 966.31'  
 Invert: 957.92'  
 Rim to Invert: 8.39'

Sump: 0"  
 Floor (Top): 957.92'  
 Floor Height: 6"

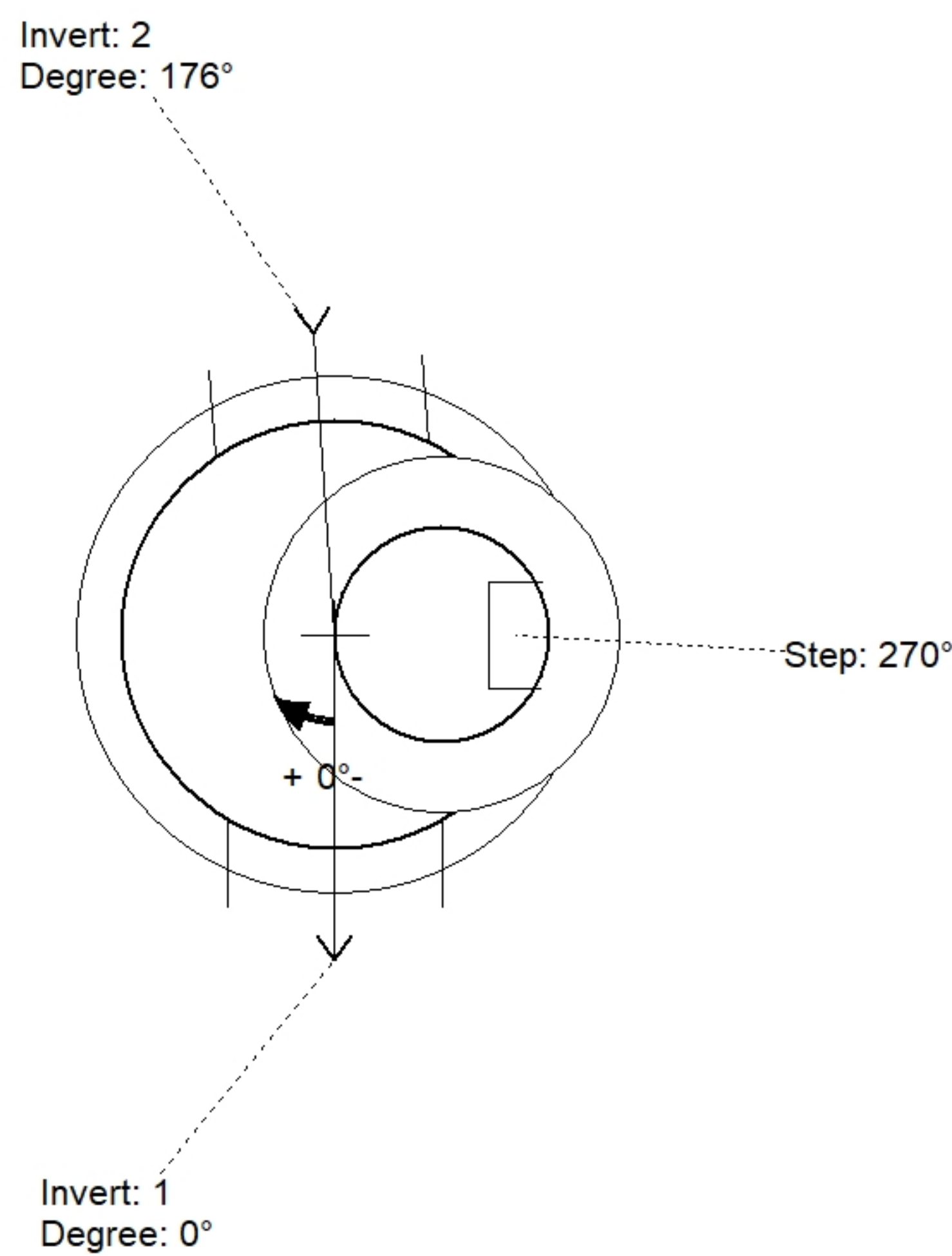
Floor (Bot): 957.42'  
 Overall Height: 8.833'  
 Slack: 0.68"

**Structure Notes:**

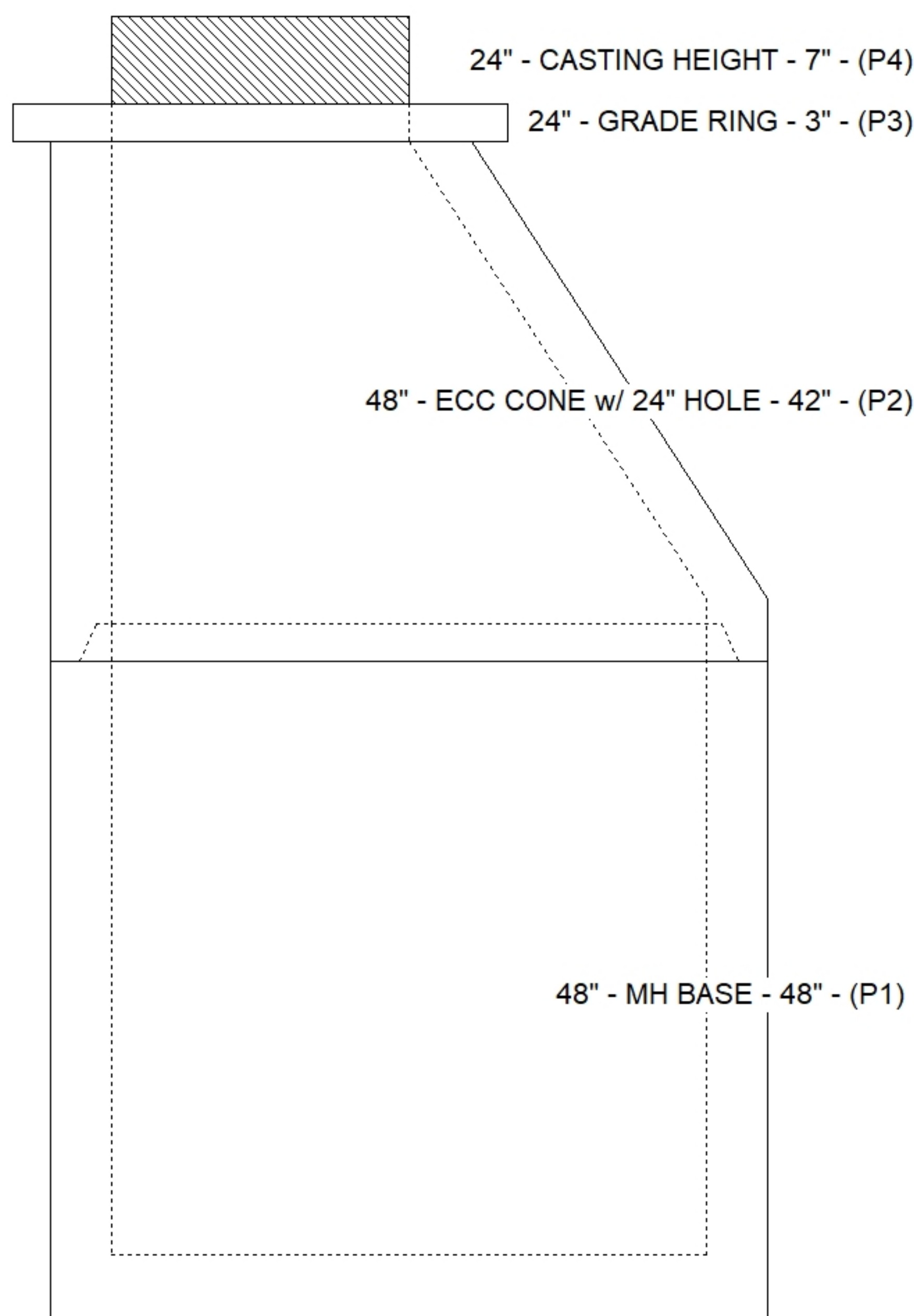
1. ASTM C478 SPEC'S.
2. CONCRETE = 4,000 PSI AT 28 DAYS.
3. REINFORCING PER ASTM A615 (GRADE 60.)
4. CASTING PROVIDED BY OTHERS.

**STRUCTURE SUMMARY:**

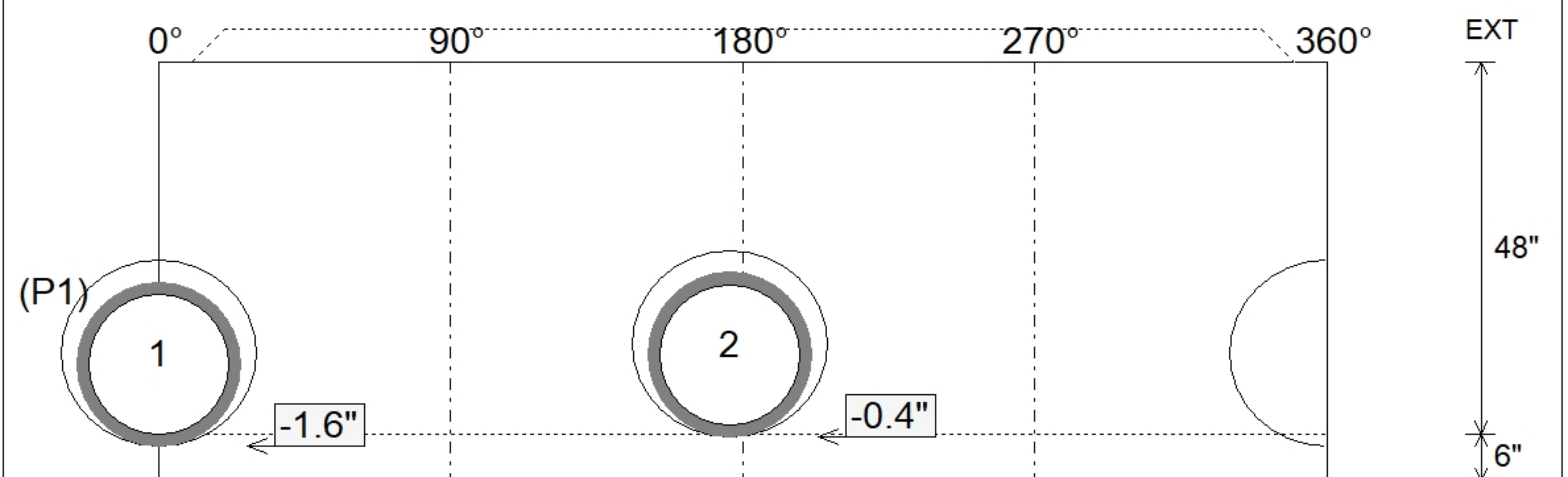
P4) 24" - CASTING HEIGHT - 7"	0 lb
P3) 24" - GRADE RING - 3"	202 lb
P2) 48" - ECC CONE w/ 24" HOLE - 42"	3200 lb
P1) 48" - MH BASE - 48"	4289 lb
1) 48" - SGL 1"x14.5' Butyl (2x)	0 lb
2) Hole - 24	0 lb
8) MH Step ML-10-TDS-NCR - 10"	0 lb
<b>Structure Total:</b>	<b>7691 lb</b>



Position	Elev	Angle	Pipe	Pipe OD	Hole	Connector	Up (L)	Ref
Rim	966.31'							
Reducer								
Invert 1	957.92'	0°	18" HDPE	21.2"	24"	Hole 24	-1.6"	P1
Invert 2	958.02'	176°	18" HDPE	21.2"	24"	Hole 24	-0.4"	P1
Invert 3								
Invert 4								
Invert 5								
Invert 6								
Invert 7								
Invert 8								



**Default - Interior Dimensions**



Submittal Drawing  
 11/11/2025 8:37:39 AM

SUBMITTAL  
 APPROVED BY: