

**Job Name: 25-2631 The Maxwell PH 2**  
**Job Location: Lexington, KY**  
**Contractor: Woodall Construction Co., Inc.**

PC: T. Ryan  
 TECH: C.Russ  
 Plant: Beaver Dam



Structure ID: OS 2

Spec: Storm  
 Type: STM.MH (Recessed pipe)  
 Size: 60"

Rim: 971.46'  
 Invert: 963.33'  
 Rim to Invert: 8.13'

Sump: 0"  
 Floor (Top): 963.33'  
 Floor Height: 8"

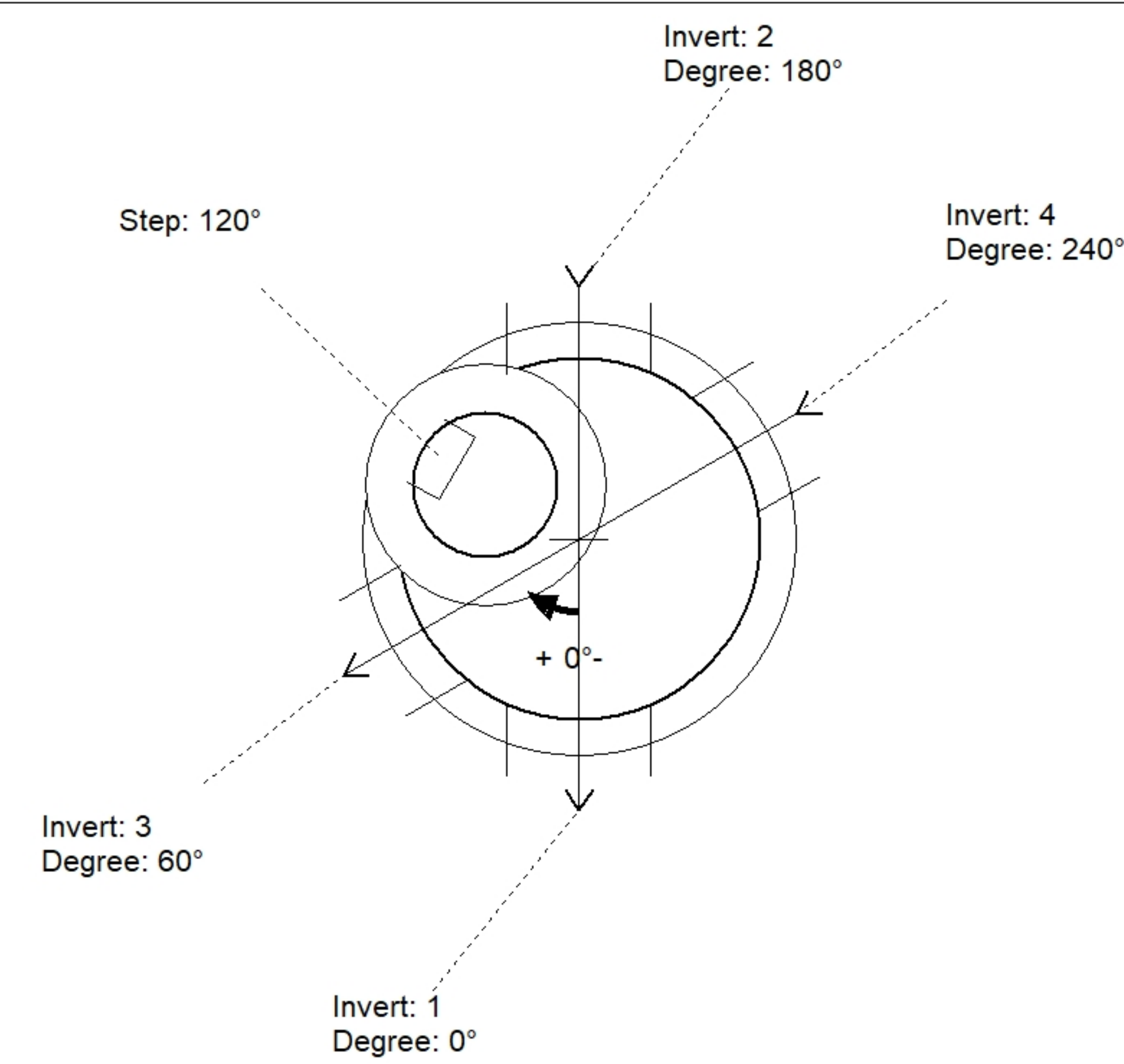
Floor (Bot): 962.663'  
 Overall Height: 8.667'  
 Slack: 1.56"

**Structure Notes:**

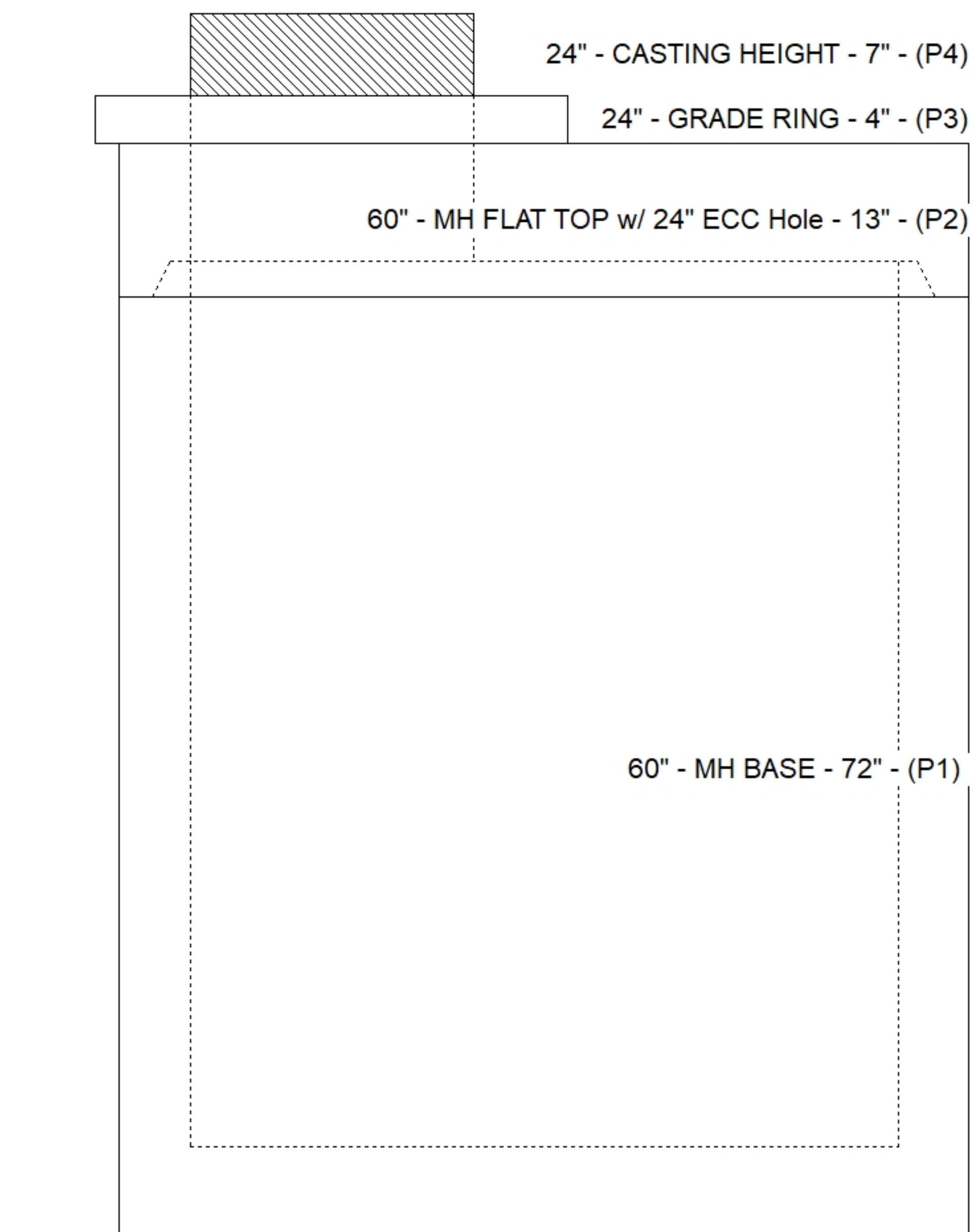
1. CASTING PROVIDED BY OTHERS
2. PER ASTM C478 SPECIFICATIONS.
3. CONCRETE = 4,000 PSI AT 28 DAYS.
4. REINFORCING PER ASTM A615 (GRADE 60).
  - TOP SLAB (As .62) #5 BARS AT 6" C.C.E.W..
  - RISER/WALLS (As .12)
  - FLOOR (As .31) #5 BARS AT 12" C.C.E.W.

**STRUCTURE SUMMARY:**

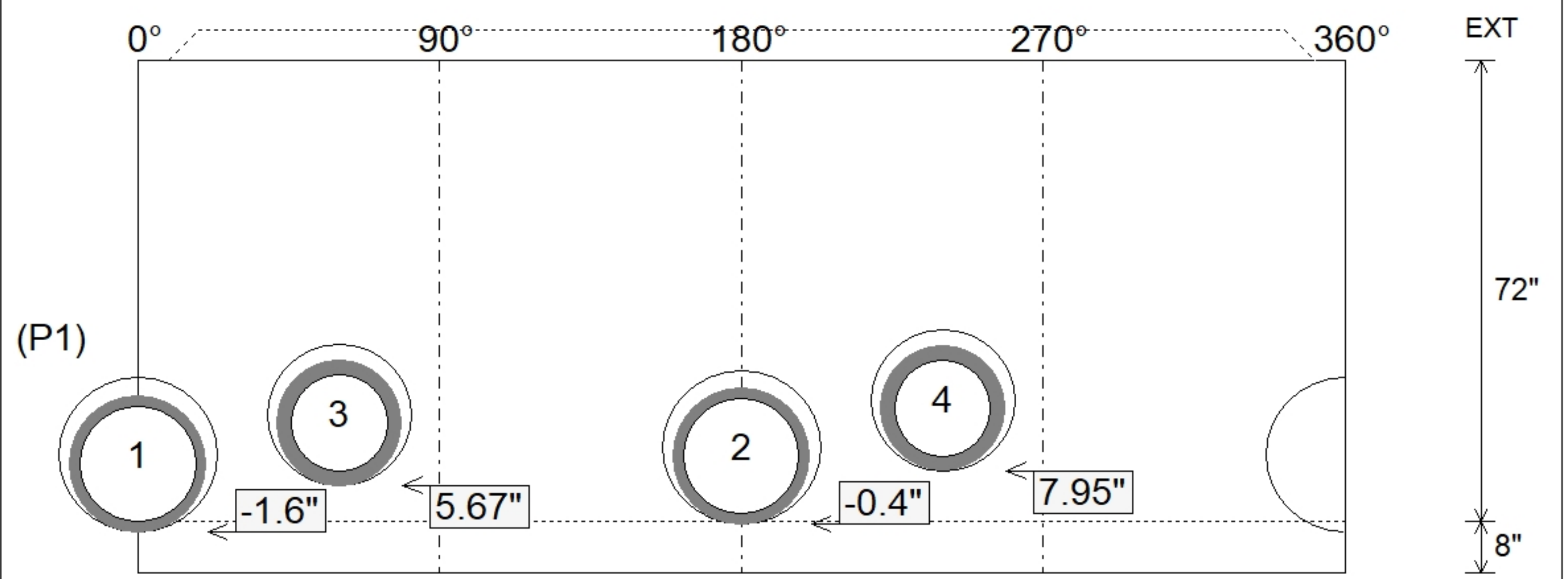
P4) 24" - CASTING HEIGHT - 7"	0 lb
P3) 24" - GRADE RING - 4"	270 lb
P2) 60" - MH FLAT TOP w/ 24" ECC Hole - 13"	2869 lb
P1) 60" - MH BASE - 72"	9392 lb
1) 60" - Conseal CS-102 1.00"	0 lb
2) Hole - 24	0 lb
2) Hole - 22	0 lb
6) MH Step ML-10-TDS-NCR - 10"	0 lb
<b>Structure Total:</b>	<b>12531 lb</b>



Position	Elev	Angle	Pipe	Pipe OD	Hole	Connector	Up (")	Ref
Rim	971.46'							
Reducer								
Invert 1	963.33'	0°	18" HDPE	21.2"	24"	Hole 24	-1.6"	P1
Invert 2	963.43'	180°	18" HDPE	21.2"	24"	Hole 24	-0.4"	P1
Invert 3	963.99'	60°	15" RCP B WALL	19.5"	22"	Hole 22	5.67"	P1
Invert 4	964.18'	240°	15" RCP B WALL	19.5"	22"	Hole 22	7.95"	P1
Invert 5								
Invert 6								
Invert 7								
Invert 8								



**Default - Interior Dimensions**



Submittal Drawing  
 11/11/2025 8:37:39 AM

SUBMITTAL  
 APPROVED BY: