

Job Name: 25-2631 The Maxwell PH 2
 Job Location: Lexington, KY
 Contractor: Woodall Construction Co., Inc.

Plant: Beaver Dam

11/7/2025 12:46:45 PM

Tech: C.Russ

PC: T. Ryan



Structure ID: OS 2

P1 MH060BA72

MH BASE

- P4) 24" - CASTING HEIGHT - 7"
- P3) 24" - GRADE RING - 4"
- P2) 60" - MH FLAT TOP w/ 24" ECC Hole - 13"
- P1) 60" - MH BASE - 72"
- 1) 60" - Conseal CS-102 1.00"
- 2) Hole - 24
- 2) Hole - 22
- 6) MH Step ML-10-TDS-NCR - 10"

- Structure Notes:**
1. CASTING PROVIDED BY OTHERS
 2. PER ASTM C478 SPECIFICATIONS.
 3. CONCRETE = 4,000 PSI AT 28 DAYS.
 4. REINFORCING PER ASTM A615 (GRADE 60).
 - TOP SLAB (As .62) #5 BARS AT 6" C.C.E.W..
 - RISER/WALLS (As .12)
 - FLOOR (As .31) #5 BARS AT 12" C.C.E.W.

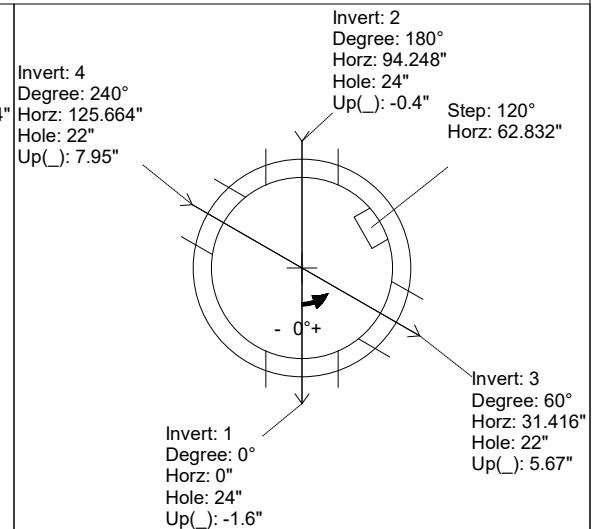
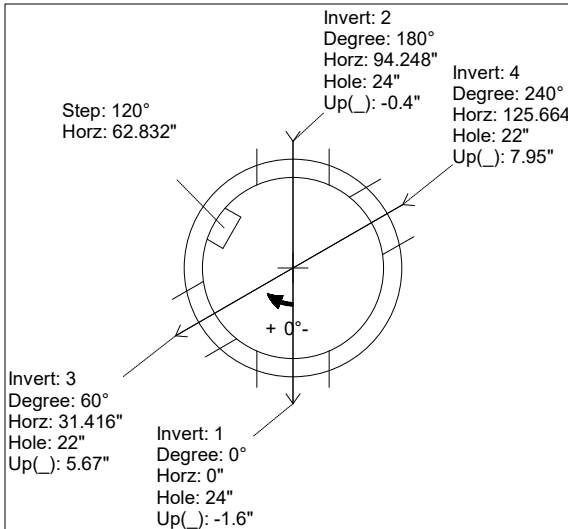
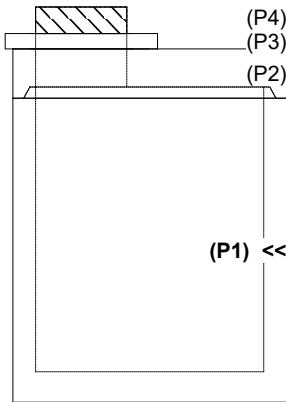
Structure Total: 12531 lb

Rim: 971.46' Rim to Invert: 8.13' Slack: 1.56" Sump: 0" Step Position: 120°

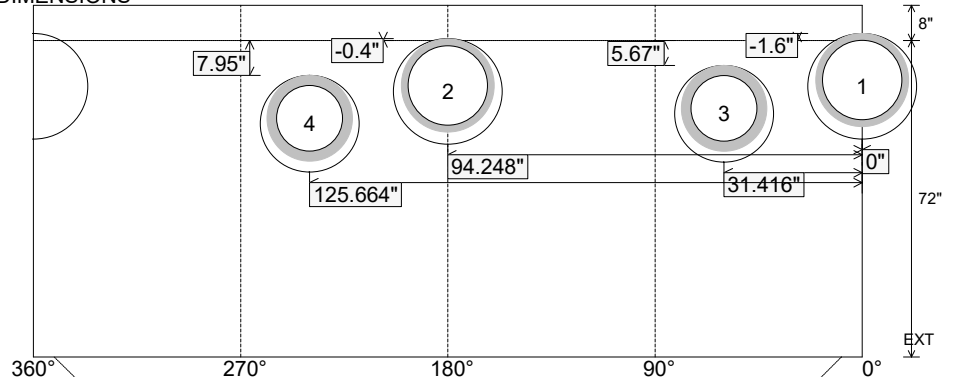
Position	Elev	Angle	Ext. (cw)	Pipe	Pipe OD	Connector	Hole	Horz Size	Up ()	Offset
Invert 1	963.33'	0°	0"	18" HDPE	21.2"	Hole 24	24"	24.691"	-1.6"	0"
Invert 2	963.43'	180°	113.097"	18" HDPE	21.2"	Hole 24	24"	24.691"	-0.4"	0"
Invert 3	963.99'	60°	37.699"	15" RCP B WALL	19.5"	Hole 22	22"	22.525"	5.67"	0"
Invert 4	964.18'	240°	150.796"	15" RCP B WALL	19.5"	Hole 22	22"	22.525"	7.95"	0"
Invert 5										
Invert 6										
Invert 7										
Invert 8										

RIGHT-SIDE UP VIEW (int. dimensions)

UPSIDE-DOWN VIEW (int. dimensions)



INSIDE WALL DIMENSIONS



Coating (Int):
Coating (Ext):

Seam Up: Tongue
Seam Dn: n/a

Wall Thickness: 6"
Floor Height: 8"

Height (Int): 72"
Height (Ext): 80"

Weight (Net): 9392 lb
Volume (Net): 2.4cu.yd