

Job Name: 25-2631 The Maxwell PH 2
Job Location: Lexington, KY
Contractor: Woodall Construction Co., Inc.

PC: T. Ryan
 TECH: C. Russ
 Plant: Beaver Dam



Structure ID: OS 1

Spec: Storm
 Type: STM.MH (Recessed pipe)
 Size: 48"

Rim: 975.33'
 Invert: 967.45'
 Rim to Invert: 7.88'

Sump: 0"
 Floor (Top): 967.45'
 Floor Height: 6"

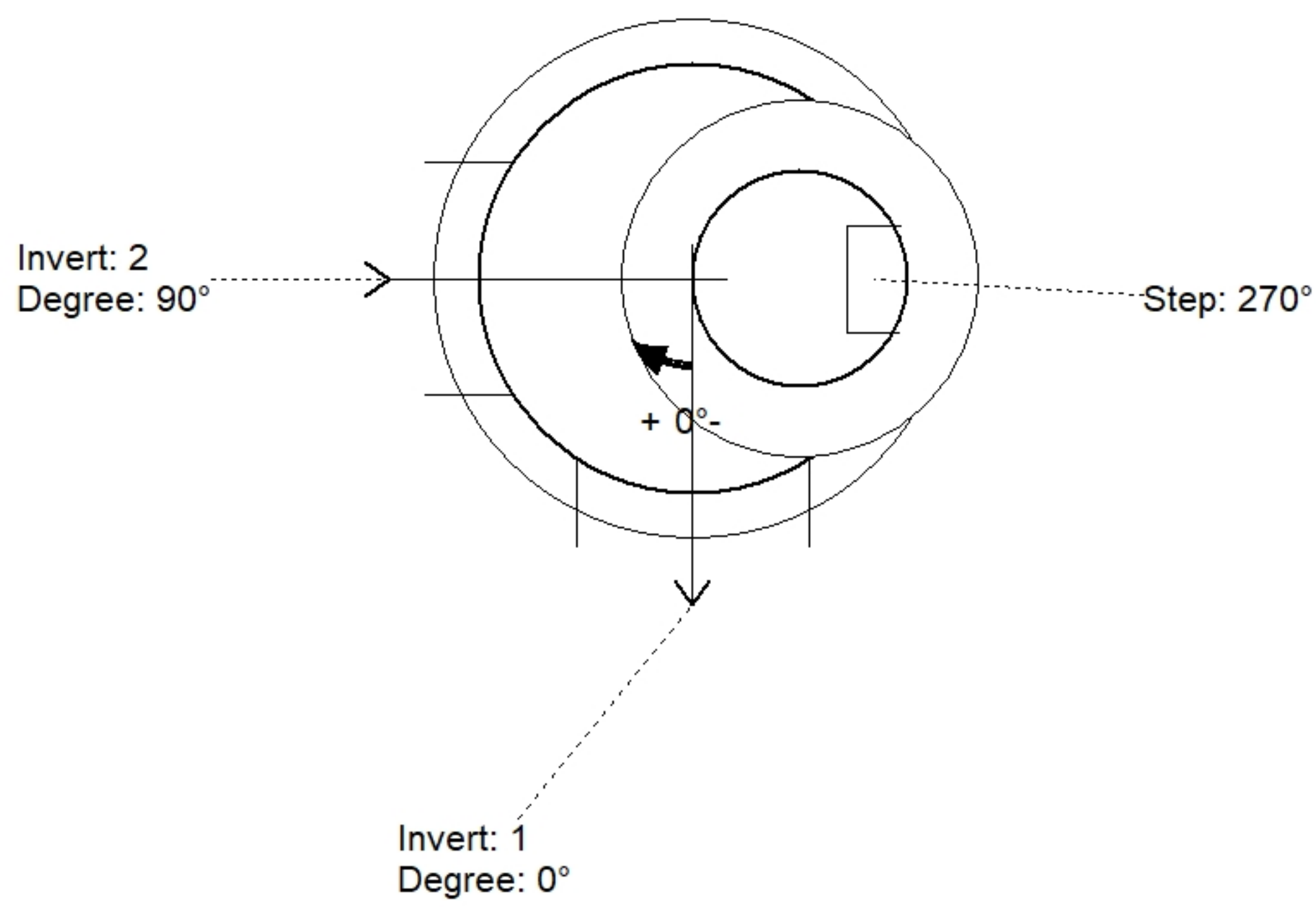
Floor (Bot): 966.95'
 Overall Height: 8.333'
 Slack: 0.56"

Structure Notes:

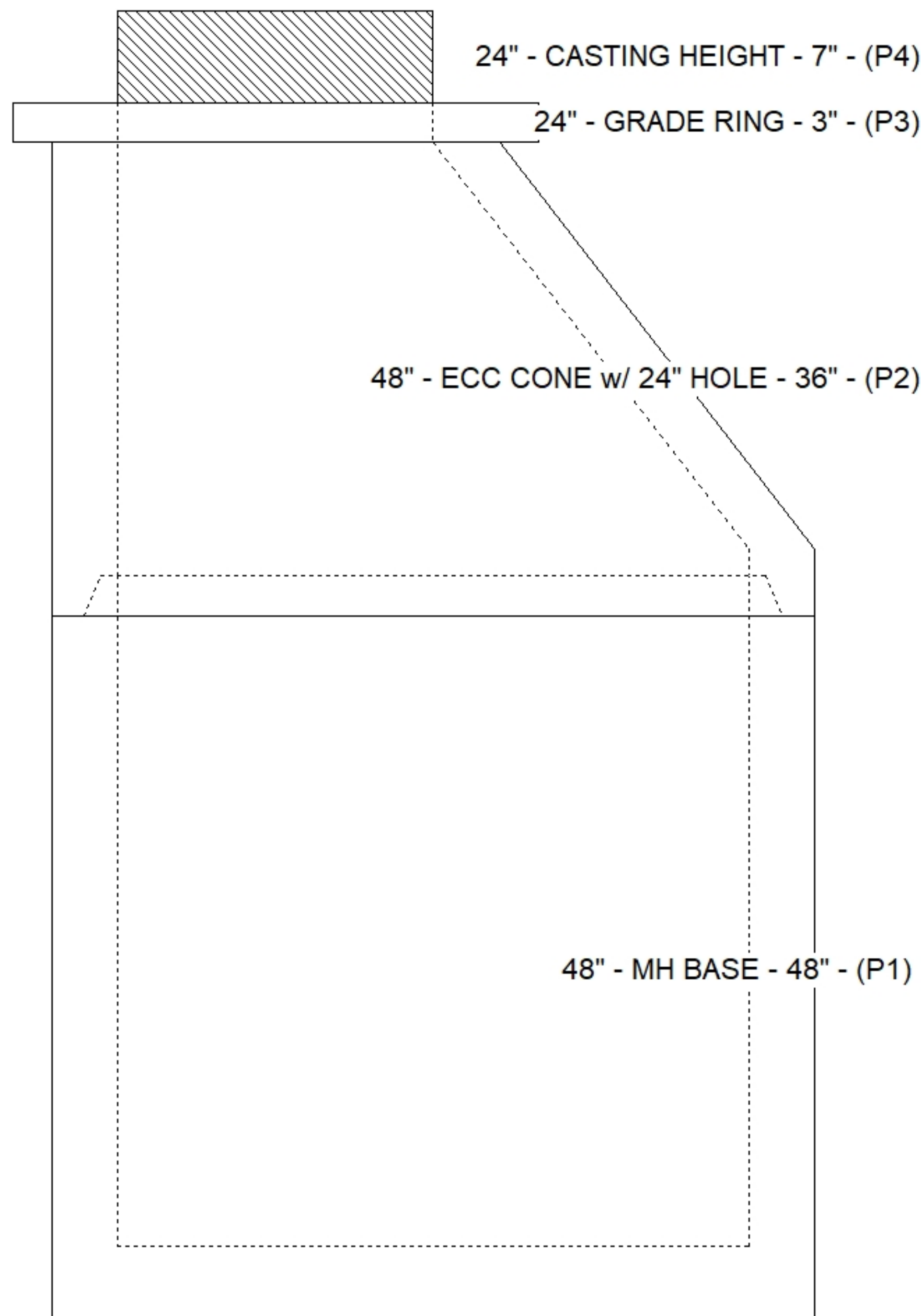
1. PER ASTM C478 SPECIFICATIONS.
2. CONCRETE = 4,000 PSI AT 28 DAYS.
3. NO INVERT CHANNEL.
4. REINFORCING PER ASTM A615 (GRADE 60).
5. CASTING BY OTHERS.

STRUCTURE SUMMARY:

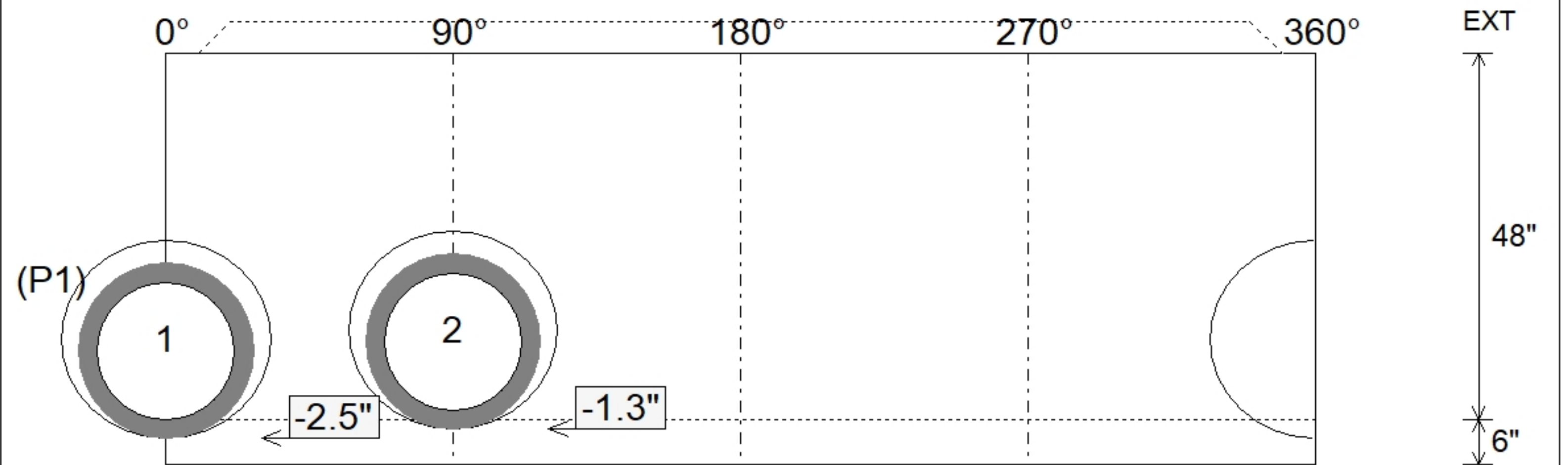
P4) 24" - CASTING HEIGHT - 7"	0 lb
P3) 24" - GRADE RING - 3"	202 lb
P2) 48" - ECC CONE w/ 24" HOLE - 36"	3000 lb
P1) 48" - MH BASE - 48"	4217 lb
1) 48" - SGL 1"x14.5' Butyl (2x)	0 lb
2) Hole - 26	0 lb
7) MH Step ML-10-TDS-NCR - 10"	0 lb
Structure Total:	7419 lb



Position	Elev	Angle	Pipe	Pipe OD	Hole	Connector	Up ()	Ref
Rim	975.33'							
Reducer								
Invert 1	967.45'	0°	18" RCP B WALL	23"	26"	Hole 26	-2.5"	P1
Invert 2	967.55'	90°	18" RCP B WALL	23"	26"	Hole 26	-1.3"	P1
Invert 3								
Invert 4								
Invert 5								
Invert 6								
Invert 7								
Invert 8								



Default - Interior Dimensions



Submittal Drawing
 11/11/2025 8:37:39 AM

SUBMITTAL
 APPROVED BY: