

Job Name: 25-2627 High St. Culvert Replacement

Job Location: Springfield, KY

Contractor: M&J Construction

PC: C. Goff

TECH: J. Horsley

Plant: Beaver Dam



Structure ID: **NEW MH 1A (STMH 84dia)**

Spec: Storm

Rim: 755.66'

Sump: 5.496"

Floor (Bot): 748.775'

Type: STM.MH

Invert: 749.9'

Floor (Top): 749.442'

Overall Height: 6.833'

Size: 84"

Rim to Invert: 5.76'

Floor Height: 8"

Slack: 0.616"

Structure Notes:

1. PER ASTM C478 SPECIFICATIONS.
2. CONCRETE = 4,000 PSI AT 28 DAYS.
3. NO INVERT CHANNEL.
4. CASTING BY ICAST (HOE MC-315 F/C).

REINFORCING PER ASTM A615 (GRADE 60).

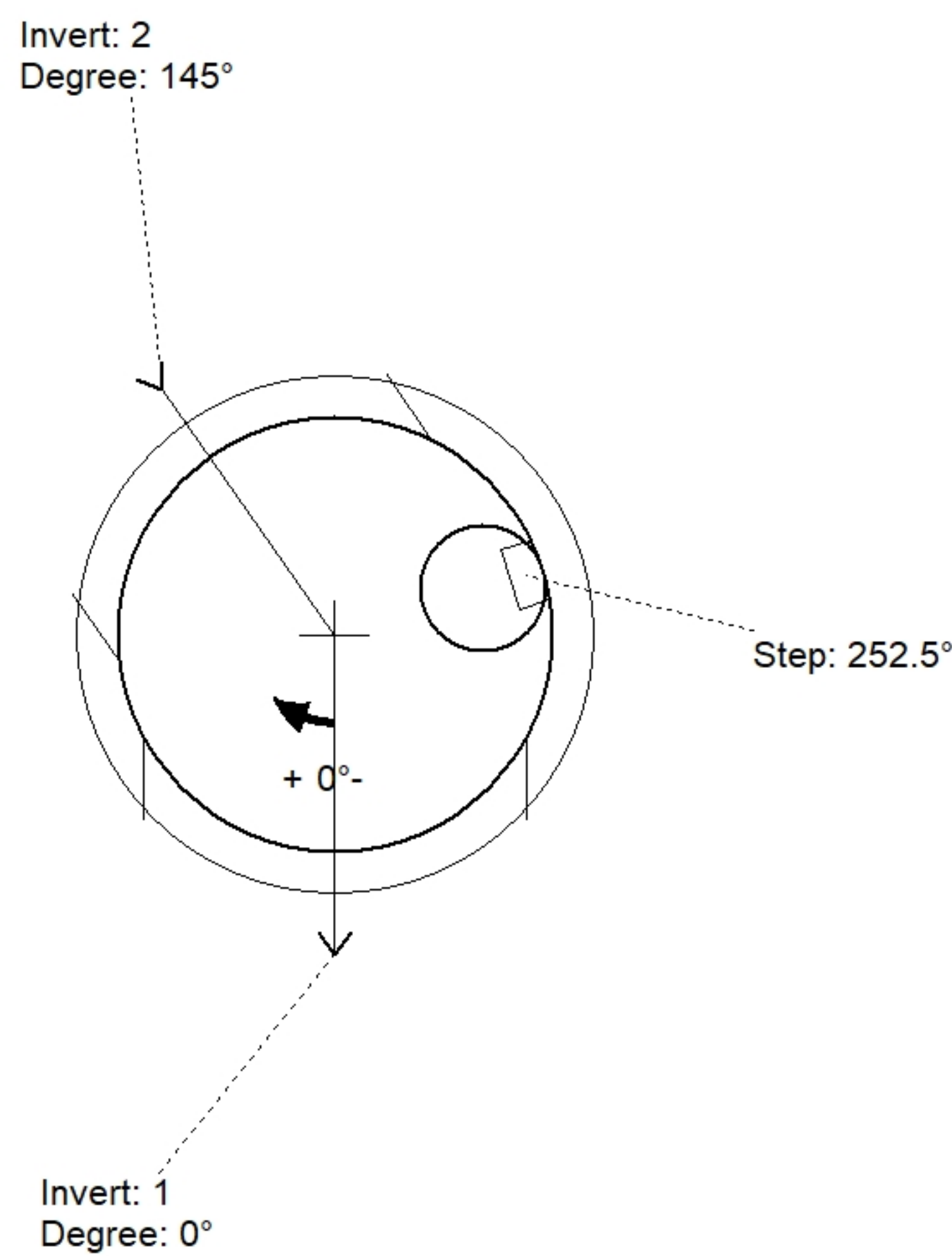
- TOP SLAB = H2O LOADING..
- RISER/WALLS (As .18)
- FLOOR (As .37) #5 BARS AT 10" C.C.E.W.

RFI:

1. VERIFY RIM & INVERT ELEVATIONS.

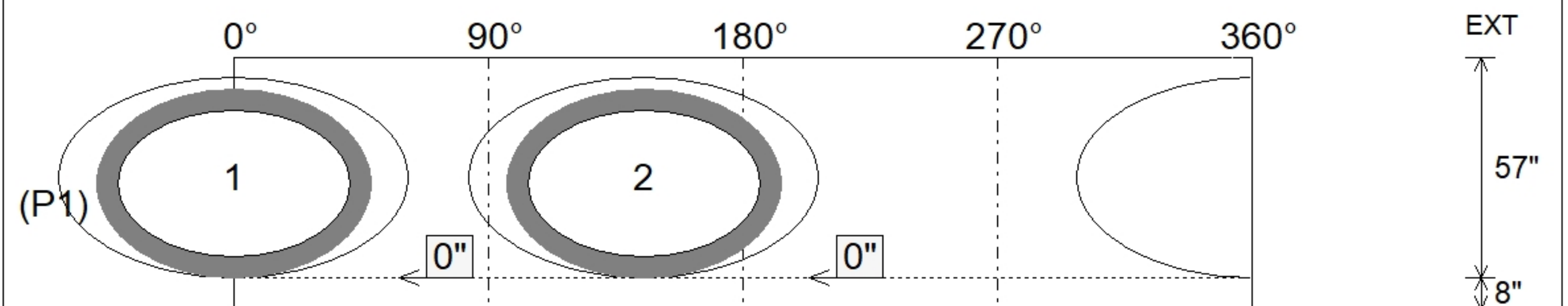
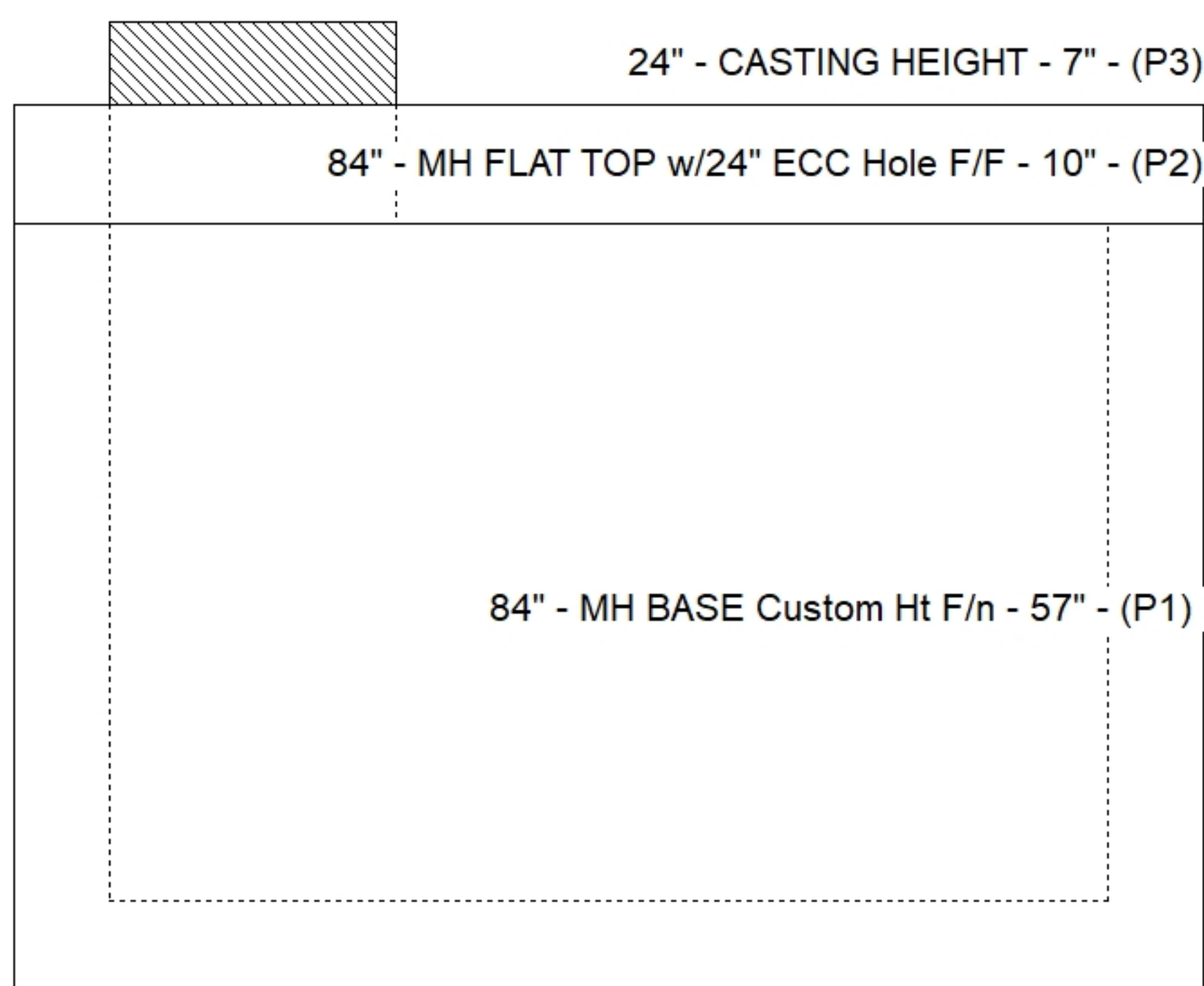
STRUCTURE SUMMARY:

P3) 24" - CASTING HEIGHT - 7"	0 lb
P2) 84" - MH FLAT TOP w/24" ECC Hole F/F - 10"	6211 lb
P1) 84" - MH BASE Custom Ht F/n - 57"	11565 lb
1) CASTING - HOE MC-315 F/C Storm	258 lb
1) 84" - Conseal CS-102 1.00"	0 lb
2) Hole - 74 x 52	0 lb
4) MH Step ML-10-TDS-NCR - 10"	0 lb
Structure Total:	18034 lb



Position	Elev	Angle	Pipe	Pipe OD	Hole	Connector	Up ()	Ref
Rim	755.66'							
Reducer								
Invert 1	749.9'	0°	60" x 38" ELL RCP	71" x 49"	74" x 52"	Hole 74 x 52	0"	P1
Invert 2	749.9'	145°	60" x 38" ELL RCP	71" x 49"	74" x 52"	Hole 74 x 52	0"	P1
Invert 3								
Invert 4								
Invert 5								
Invert 6								
Invert 7								
Invert 8								

Cast (Int. Dim.) - Interior Dimensions



Submittal Drawing
11/13/2025 1:49:04 PM

SUBMITTAL
APPROVED BY: