

Structure ID: NEW MH 1A (STMH 84dia)

P1 MH084BAVF

MH BASE Custom Ht F/n

P3) 24" - CASTING HEIGHT - 7" P2) 84" - MH FLAT TOP w/24" ECC Hole F/F - 10" P1) 84" - MH BASE Custom Ht F/n - 57" 1) CASTING - HOE MC-315 F/C Storm 1) 84" - Conseal CS-102 1.00" 2) Hole - 74 x 52 4) MH Step ML-10-TDS-NCR - 10"	0 lb 6211 lb 11565 lb 258 lb 0 lb 0 lb 0 lb ----- 18034 lb	
Structure Total:		18034 lb

Structure Notes:

1. PER ASTM C478 SPECIFICATIONS.
2. CONCRETE = 4,000 PSI AT 28 DAYS.
3. NO INVERT CHANNEL.
4. CASTING BY ICAST (HOE MC-315 F/C).

REINFORCING PER ASTM A615 (GRADE 60).

- TOP SLAB = H20 LOADING..
- RISER/WALLS (As .18)
- FLOOR (As .37) #5 BARS AT 10" C.C.E.W.

RFI:

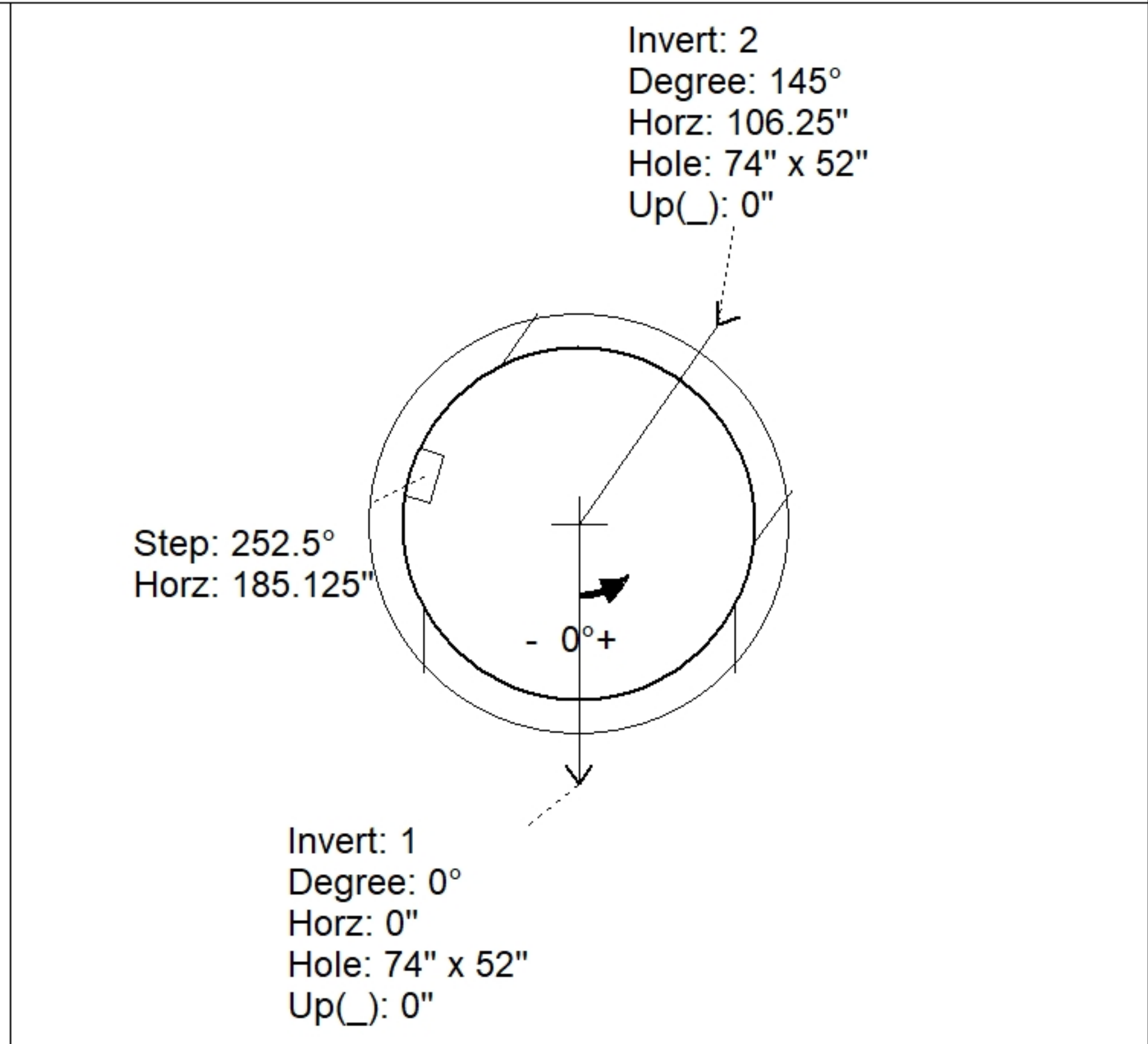
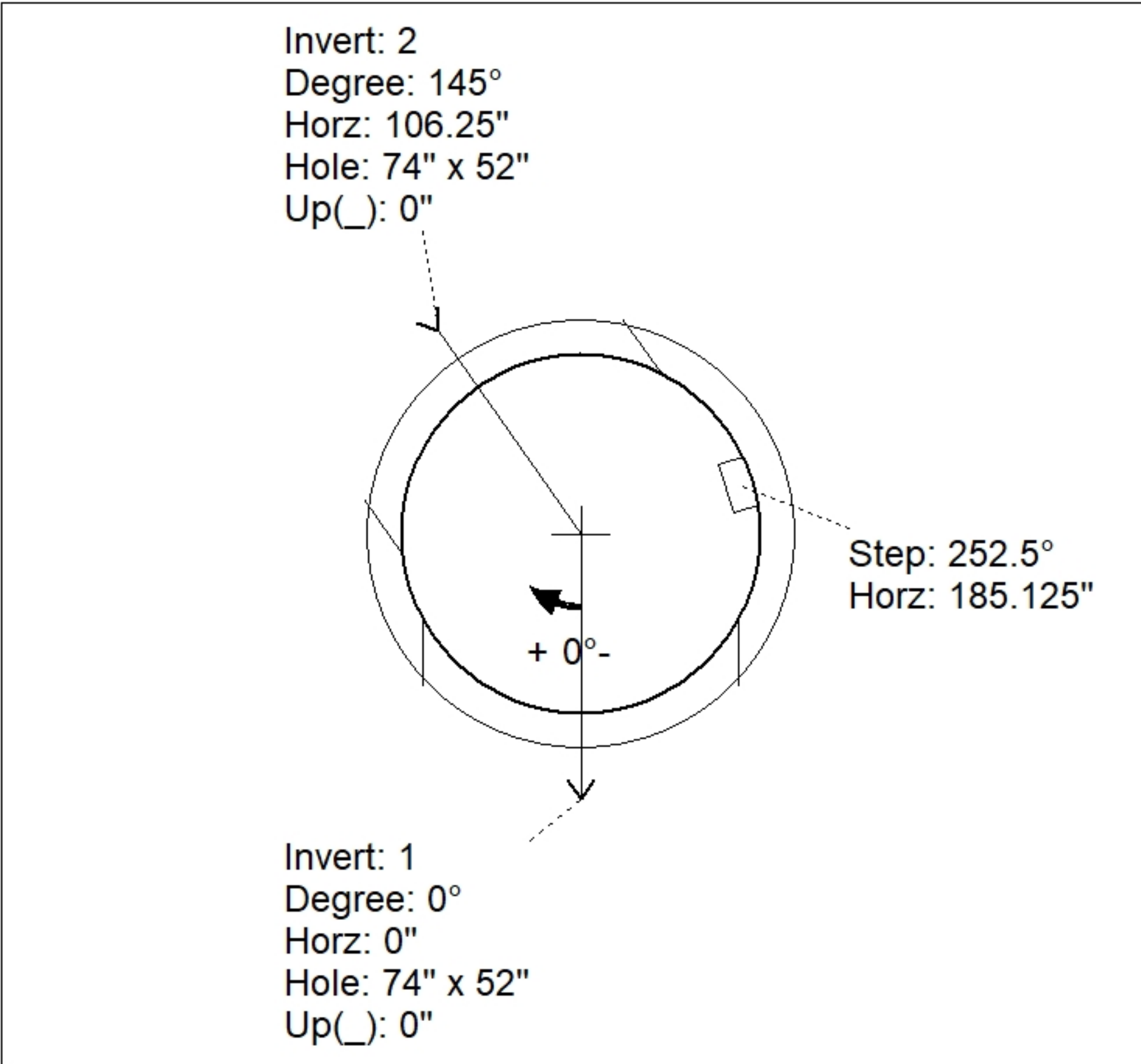
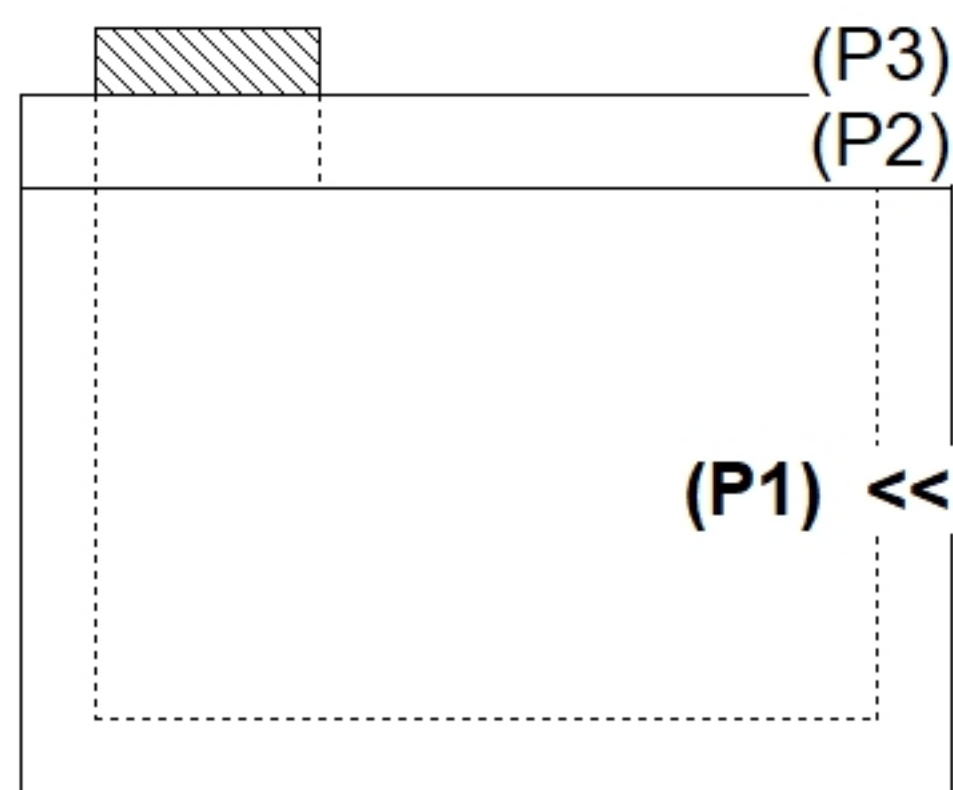
1. VERIFY RIM & INVERT ELEVATIONS.

Rim: 755.66' Rim to Invert: 5.76' Slack: 0.616" Sump: 5.496" Step Position: 252.5°

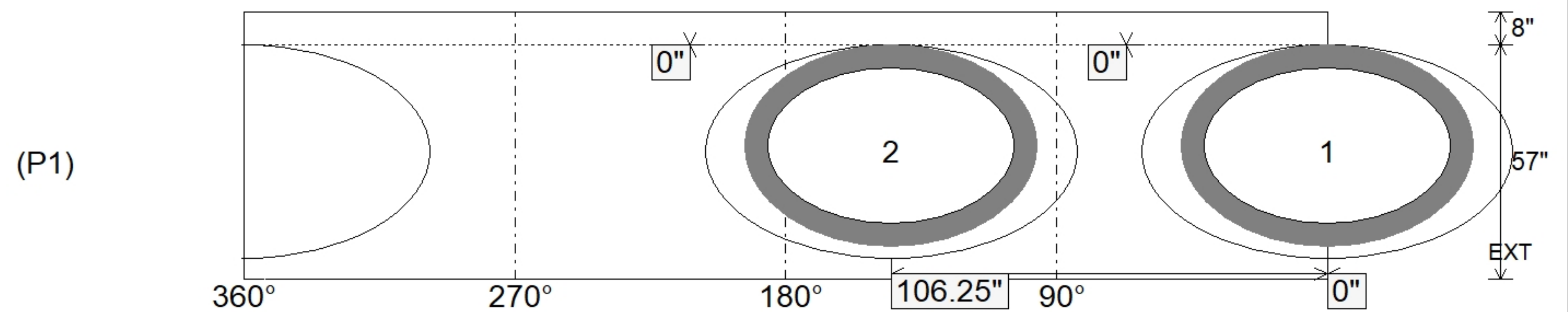
Position	Elev	Angle	Ext. (cw)	Pipe	Pipe OD	Connector	Hole	Horz Size	Up ()	Offset
Invert 1	749.9'	0°	0"	60" x 38" ELL RCP	71" x 49"	Hole 74 x 52	74" x 52"	90.541"	0"	0"
Invert 2	749.9'	145°	126.5"	60" x 38" ELL RCP	71" x 49"	Hole 74 x 52	74" x 52"	90.541"	0"	0"
Invert 3										
Invert 4										
Invert 5										
Invert 6										
Invert 7										
Invert 8										

RIGHT-SIDE UP VIEW (int. dimensions)

UPSIDE-DOWN VIEW (int. dimensions)



INSIDE WALL DIMENSIONS



Coating (Int):	Seam Up: Flat Seam Dn: n/a	Wall Thickness: 8" Floor Height: 8"	Height (Int): 57" Height (Ext): 65"	Weight (Net): 11565 lb Volume (Net): 2.95cu.yd
Coating (Ext):				