

Structure ID: 008 (STMH 60dia)

P1 MH060BAVF

MH BASE Custom Ht F/n

P3) 24" - CASTING HEIGHT - 7" P2) 60" - MH FLAT TOP w/ 24" ECC Hole F/F - 8" P1) 60" - MH BASE Custom Ht F/n - 38" 1) CASTING - HOE MC-315 F/C Storm 1) 60" - Conseal CS-102 1.00" 2) DOGHOUSE INVRTD - 40"x38" 3) MH Step ML-10-TDS-NCR - 10"	0 lb 2429 lb 5228 lb 258 lb 0 lb 0 lb 0 lb ----- Structure Total: 7915 lb
--	---

Structure Notes:

1. PER ASTM C478 SPECIFICATIONS.
2. CONCRETE = 4,000 PSI AT 28 DAYS.
3. NO INVERT CHANNEL.
4. CASTING BY ICAST (HOE MC-315 F/C)

REINFORCING PER ASTM A615 (GRADE 60).

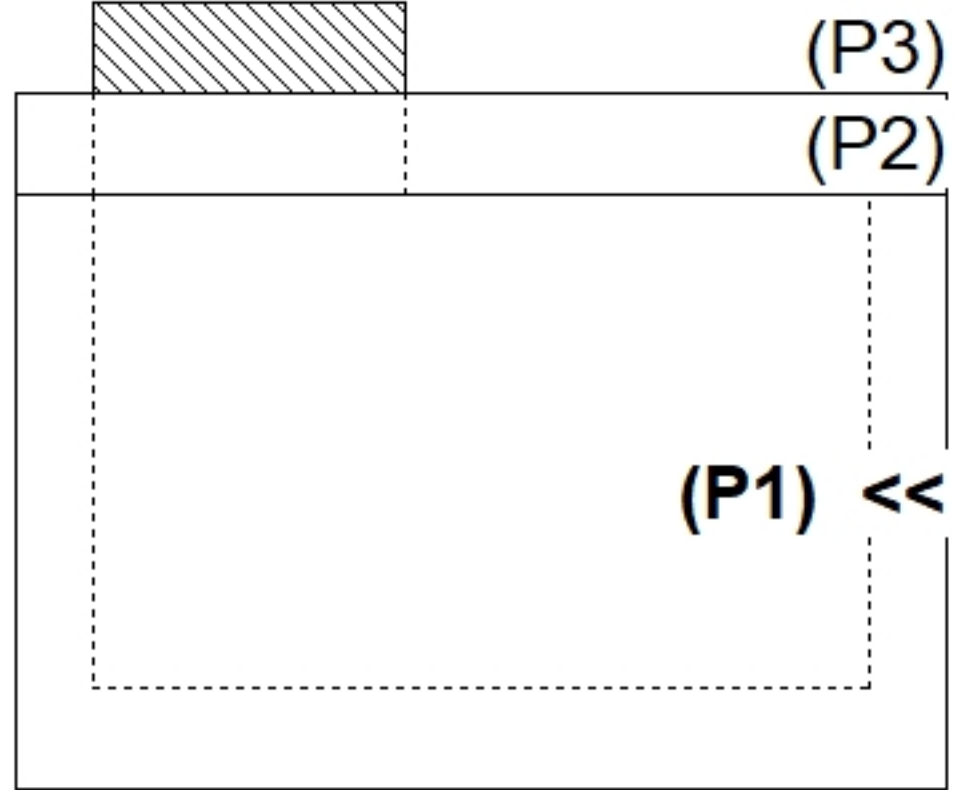
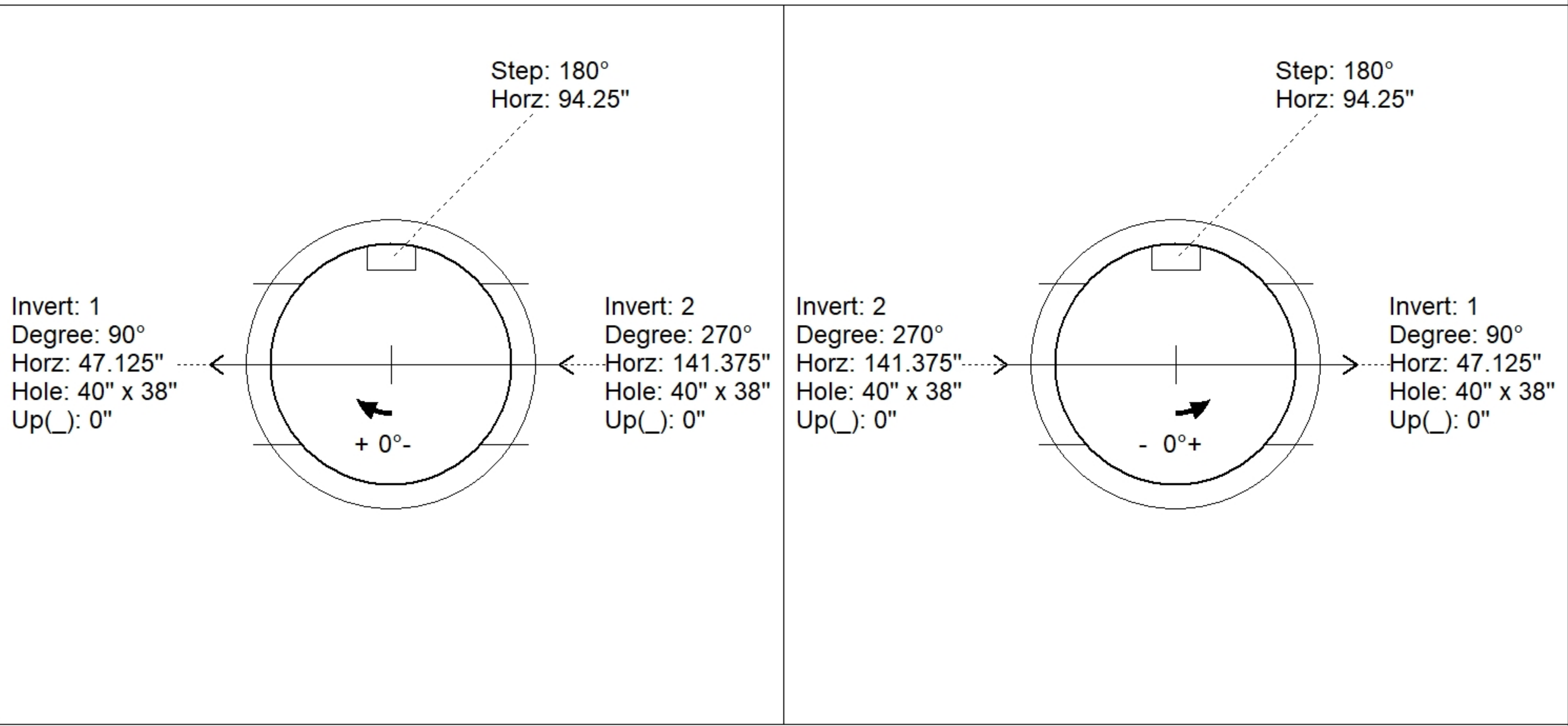
- TOP SLAB = H20 LOADING.
- RISER/WALLS (As .18)
- FLOOR (As .37) #5 BARS AT 10" C.C.E.W.

Rim: 743.49' Rim to Invert: 4.18' Slack: 0.66" Sump: 3.5" Step Position: 180°

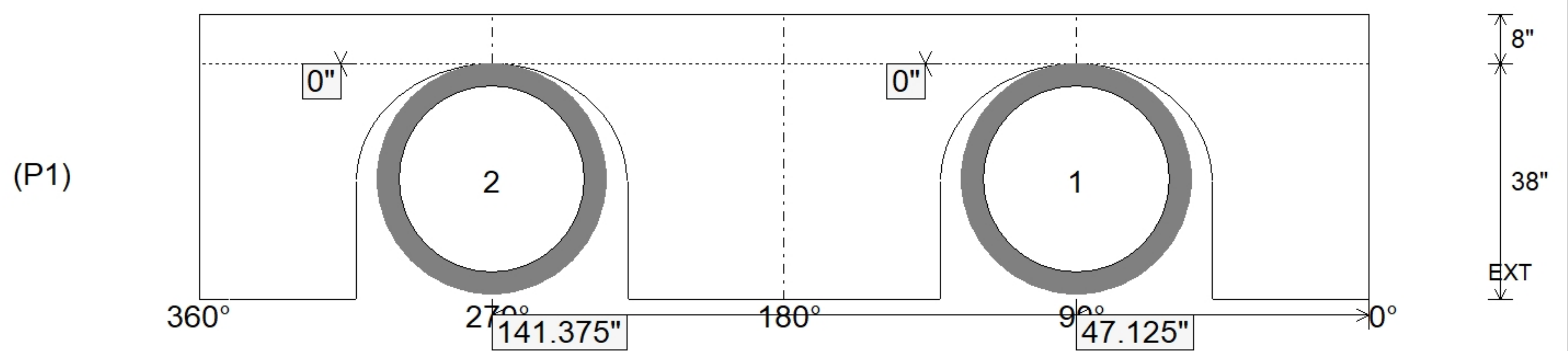
Position	Elev	Angle	Ext. (cw)	Pipe	Pipe OD	Connector	Hole	Horz Size	Up ()	Offset
Invert 1	739.31'	90°	56.5"	30" RCP B WALL	37"	DOGHOUSE INVRTD 40"x38"	40" x 38"	43.784"	0"	0"
Invert 2	739.31'	270°	169.625"	30" RCP B WALL	37"	DOGHOUSE INVRTD 40"x38"	40" x 38"	43.784"	0"	0"
Invert 3										
Invert 4										
Invert 5										
Invert 6										
Invert 7										
Invert 8										

RIGHT-SIDE UP VIEW (int. dimensions)

UPSIDE-DOWN VIEW (int. dimensions)



INSIDE WALL DIMENSIONS



Coating (Int):	Seam Up: Flat Seam Dn: n/a	Wall Thickness: 6" Floor Height: 8"	Height (Int): 38" Height (Ext): 46"
Coating (Ext):			Weight (Net): 5228 lb Volume (Net): 1.34cu.yd