

Job Name: 25-2627 High St. Culvert Replacement
Job Location: Springfield, KY
Contractor: M&J Construction

PC: C. Goff
 TECH: J. Horsley
 Plant: Beaver Dam



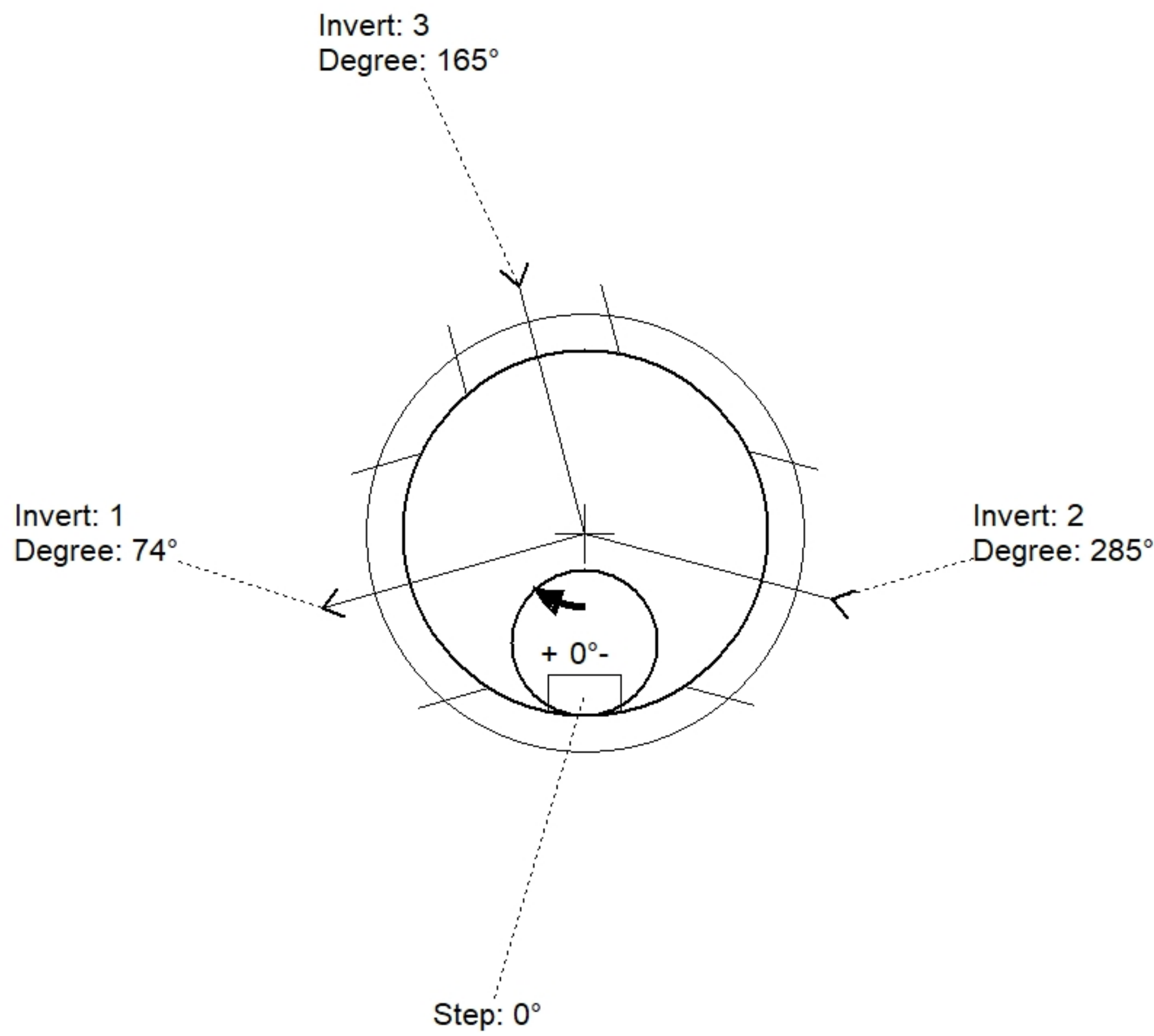
Structure ID: 007 (STMH 60dia)
 Spec: Storm Rim: 746.53' Sump: 3.5" Floor (Bot): 739.742'
 Type: STM.MH Invert: 740.7' Floor (Top): 740.408' Overall Height: 6.75'
 Size: 60" Rim to Invert: 5.83' Floor Height: 8" Slack: 0.46"

Structure Notes:

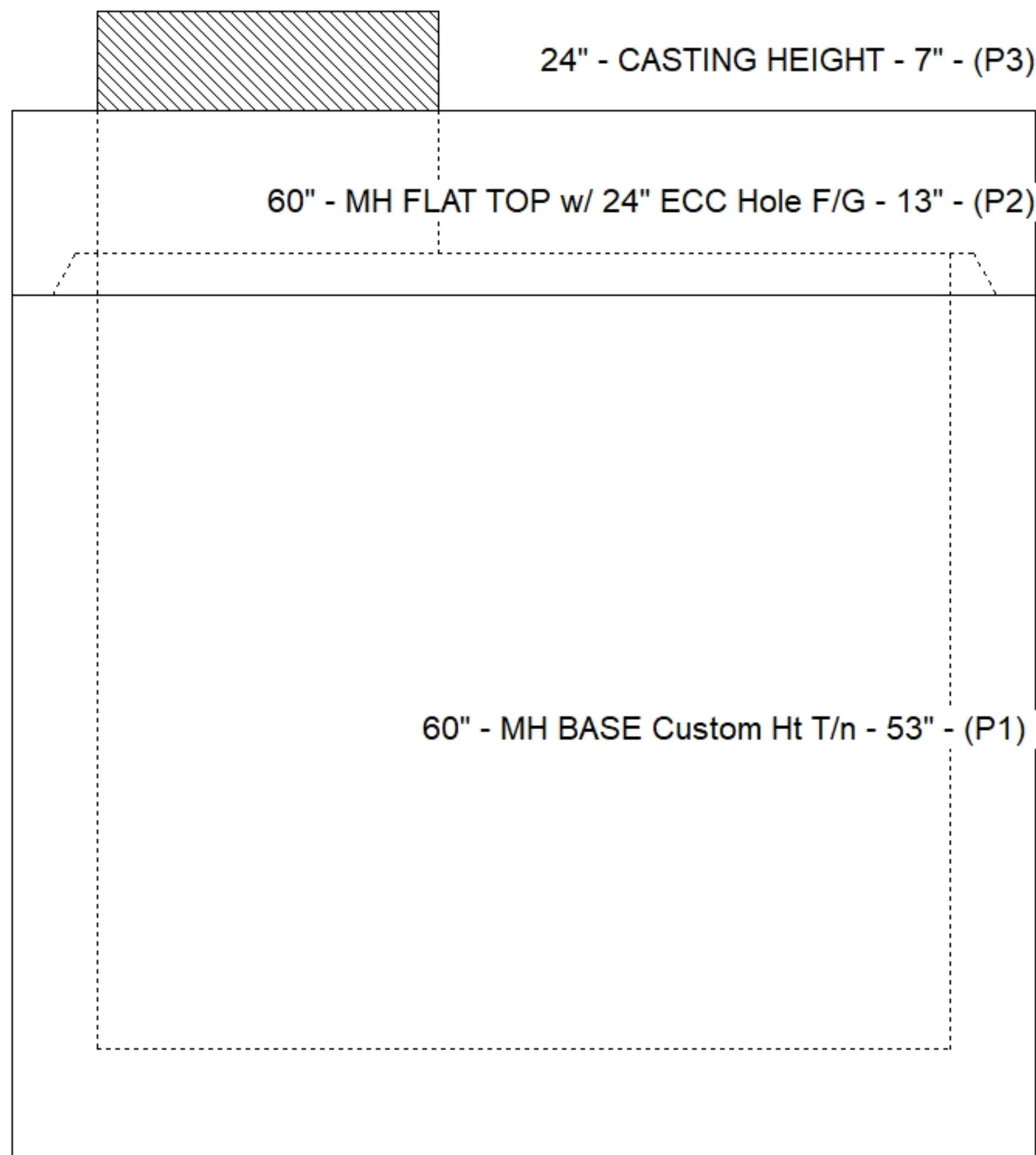
- PER ASTM C478 SPECIFICATIONS.
 - CONCRETE = 4,000 PSI AT 28 DAYS.
 - NO INVERT CHANNEL.
 - CASTING BY ICAST (HOE MCB-315B F/G).
- REINFORCING PER ASTM A615 (GRADE 60).
 - TOP SLAB = H2O LOADING.
 - RISER/WALLS (As .18)
 - FLOOR (As .37) #5 BARS AT 10" C.C.E.W.

STRUCTURE SUMMARY:

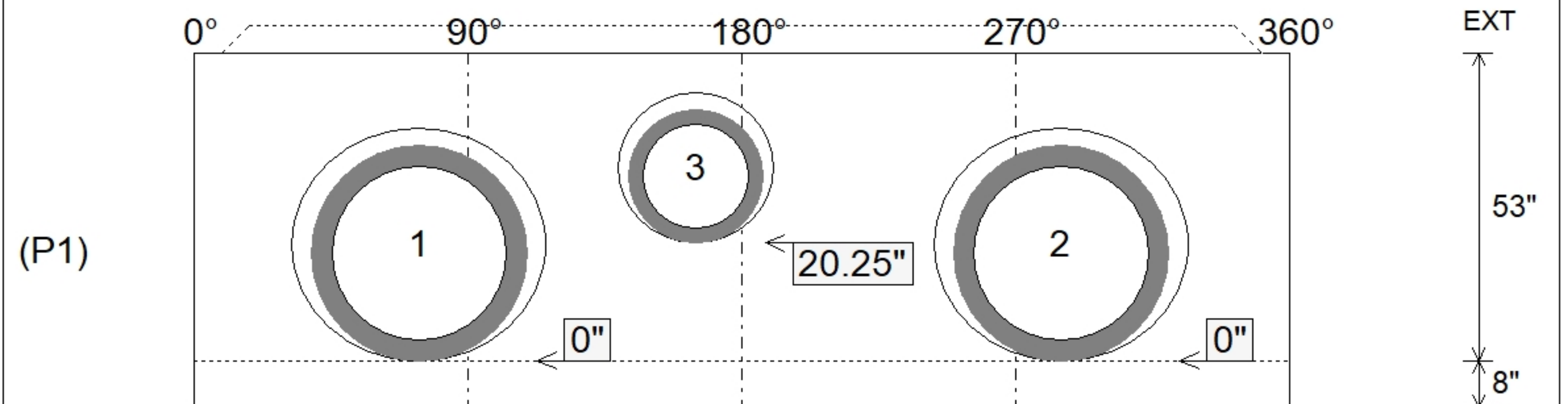
P3) 24" - CASTING HEIGHT - 7"	0 lb
P2) 60" - MH FLAT TOP w/ 24" ECC Hole F/G - 13"	2869 lb
P1) 60" - MH BASE Custom Ht T/n - 53"	6628 lb
1) CASTING - HOE MCB-315-B Fr./Bar Grate	255 lb
1) 60" - Conseal CS-102 1.00"	0 lb
2) Hole - 40	0 lb
1) Hole - 26	0 lb
4) MH Step ML-10-TDS-NCR - 10"	0 lb
Structure Total:	9752 lb



Position	Elev	Angle	Pipe	Pipe OD	Hole	Connector	Up (")	Ref
Rim	746.53'							
Reducer								
Invert 1	740.7'	74°	30" RCP B WALL	37"	40"	Hole 40	0"	P1
Invert 2	740.7'	285°	30" RCP B WALL	37"	40"	Hole 40	0"	P1
Invert 3	742.3'	165°	18" RCP B WALL	23"	26"	Hole 26	20.25"	P1
Invert 4								
Invert 5								
Invert 6								
Invert 7								
Invert 8								



Cast (Int. Dim.) - Interior Dimensions



Submittal Drawing
 10/14/2025 8:43:31 AM

SUBMITTAL
 APPROVED BY: