

Job Name: 25-2627 High St. Culvert Replacement
 Job Location: Springfield, KY
 Contractor: M&J Construction

Plant: Beaver Dam

Tech: J. Horsley

10/14/2025 8:44:06 AM

PC: C. Goff



Structure ID: 007 (STMH 60dia)

P2 MH060LD13

MH FLAT TOP w/ 24" ECC Hole F/G

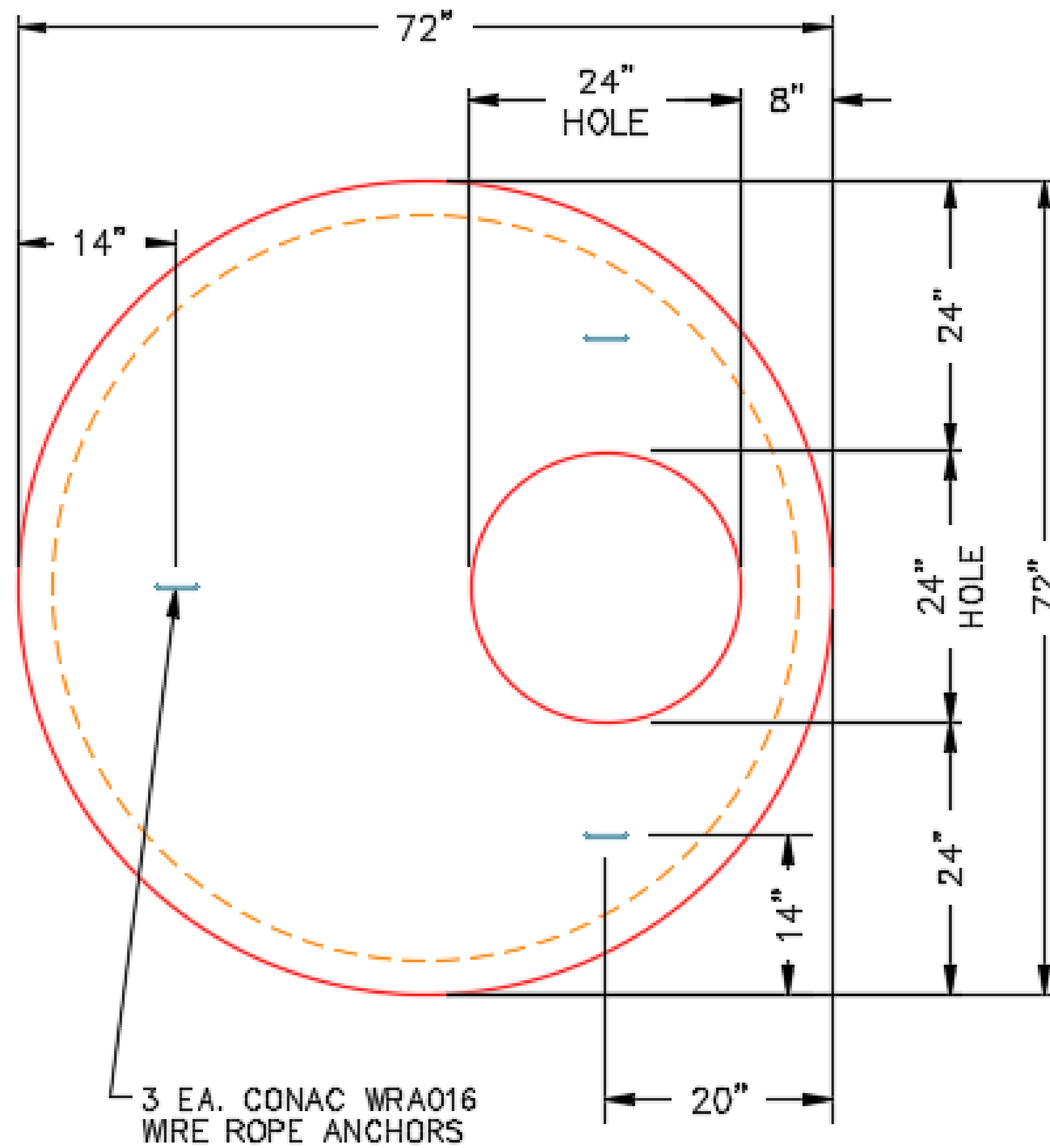
- P3) 24" - CASTING HEIGHT - 7"
- P2) 60" - MH FLAT TOP w/ 24" ECC Hole F/G - 13"
- P1) 60" - MH BASE Custom Ht T/n - 53"
- 1) CASTING - HOE MCB-315-B Fr./Bar Grate
- 1) 60" - Conseal CS-102 1.00"
- 2) Hole - 40
- 1) Hole - 26
- 4) MH Step ML-10-TDS-NCR - 10"

0 lb
 2869 lb
 6628 lb
 255 lb
 0 lb
 0 lb
 0 lb
 0 lb
 0 lb

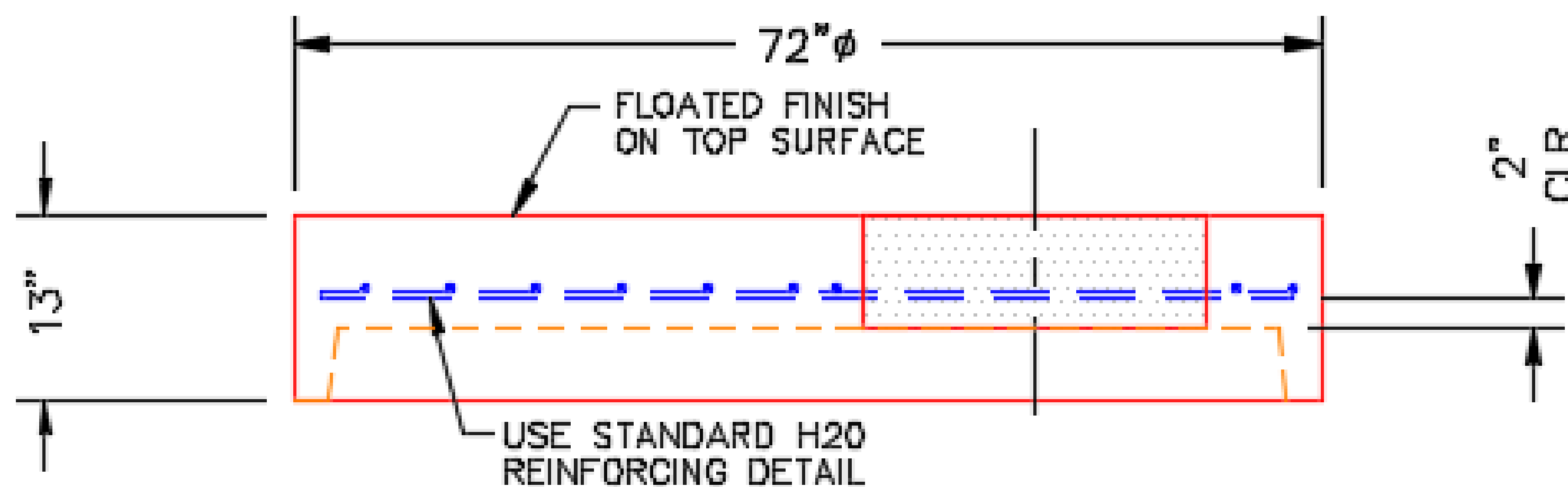
Structure Total: 9752 lb

Structure Notes:

1. PER ASTM C478 SPECIFICATIONS.
 2. CONCRETE = 4,000 PSI AT 28 DAYS.
 3. NO INVERT CHANNEL.
 4. CASTING BY ICAST (HOE MCB-315B F/G).
- REINFORCING PER ASTM A615 (GRADE 60).
 - TOP SLAB = H2O LOADING.
 - RISER/WALLS (As .18)
 - FLOOR (As .37) #5 BARS AT 10" C.C.E.W.



PLAN VIEW



SECTION A-A

Coating (Int):
 Coating (Ext):

Seam Up: Flat
 Seam Dn: Groove

Wall Thickness: 6"

Height (Ext): 13"

Weight (Net): 2869 lb
 Volume (Net): 0.73cu.yd