

Structure ID: 007 (STMH 60dia)

P1 MH060BAVF

MH BASE Custom Ht T/n

P3) 24" - CASTING HEIGHT - 7" P2) 60" - MH FLAT TOP w/ 24" ECC Hole F/G - 13" P1) 60" - MH BASE Custom Ht T/n - 53" 1) CASTING - HOE MCB-315-B Fr./Bar Grate 1) 60" - Conseal CS-102 1.00" 2) Hole - 40 1) Hole - 26 4) MH Step ML-10-TDS-NCR - 10"	0 lb 2869 lb 6628 lb 255 lb 0 lb 0 lb 0 lb 0 lb 0 lb Structure Total: 9752 lb
--	--

Structure Notes:

1. PER ASTM C478 SPECIFICATIONS.
2. CONCRETE = 4,000 PSI AT 28 DAYS.
3. NO INVERT CHANNEL.
4. CASTING BY ICAST (HOE MCB-315B F/G).

REINFORCING PER ASTM A615 (GRADE 60).

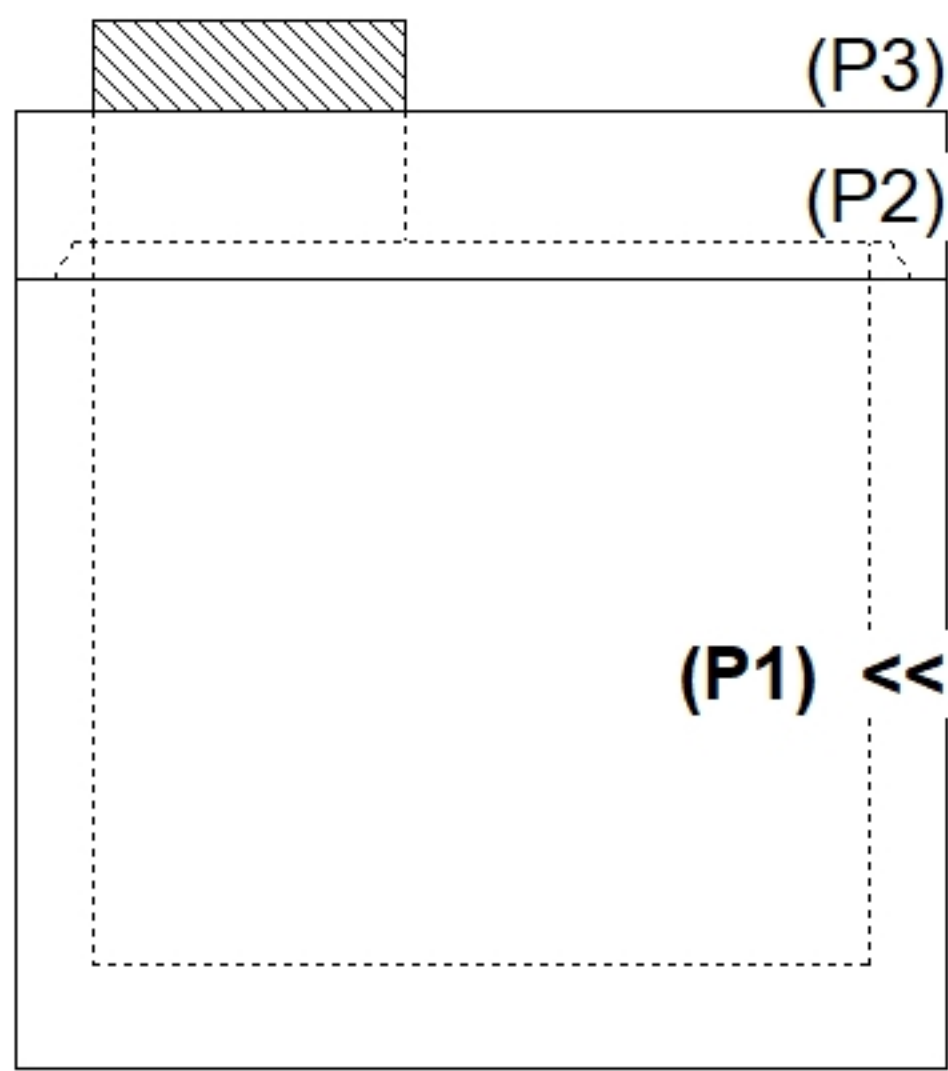
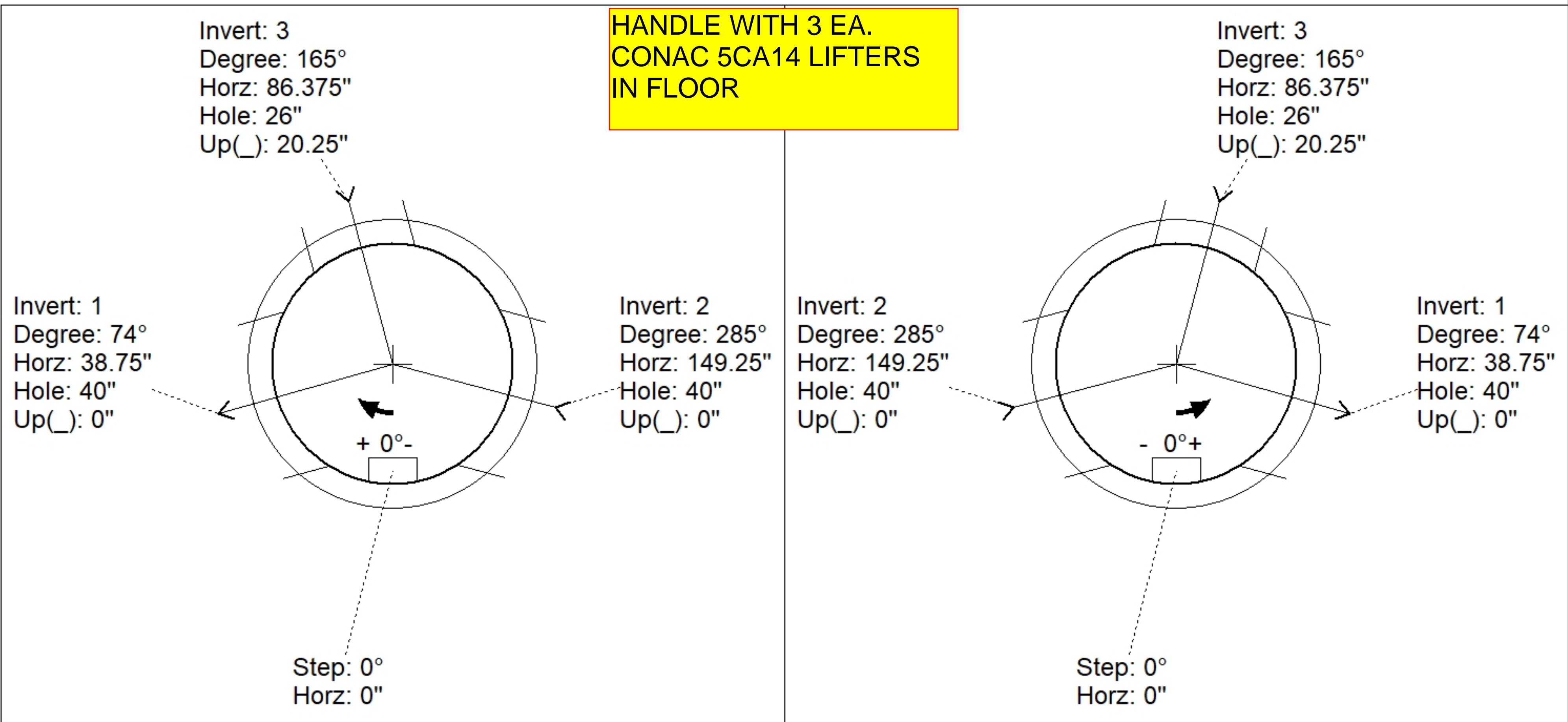
- TOP SLAB = H20 LOADING.
- RISER/WALLS (As .18)
- FLOOR (As .37) #5 BARS AT 10" C.C.E.W.

Rim: 746.53' Rim to Invert: 5.83' Slack: 0.46" Sump: 3.5" Step Position: 0°

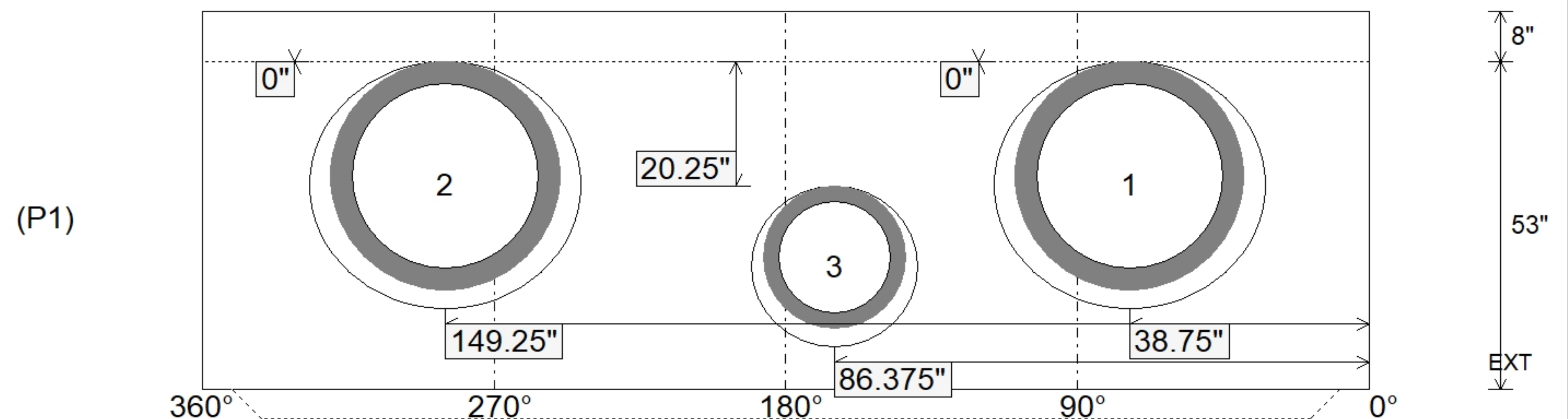
Position	Elev	Angle	Ext. (cw)	Pipe	Pipe OD	Connector	Hole	Horz Size	Up ()	Offset
Invert 1	740.7'	74°	46.5"	30" RCP B WALL	37"	Hole 40	40"	43.784"	0"	0"
Invert 2	740.7'	285°	179.125"	30" RCP B WALL	37"	Hole 40	40"	43.784"	0"	0"
Invert 3	742.3'	165°	103.625"	18" RCP B WALL	23"	Hole 26	26"	26.891"	20.25"	0"
Invert 4										
Invert 5										
Invert 6										
Invert 7										
Invert 8										

RIGHT-SIDE UP VIEW (int. dimensions)

UPSIDE-DOWN VIEW (int. dimensions)



INSIDE WALL DIMENSIONS



Coating (Int):	Seam Up: Tongue	Wall Thickness: 6"	Height (Int): 53"
Coating (Ext):	Seam Dn: n/a	Floor Height: 8"	Height (Ext): 61"
		Weight (Net): 6628 lb	
		Volume (Net): 1.69cu.yd	