

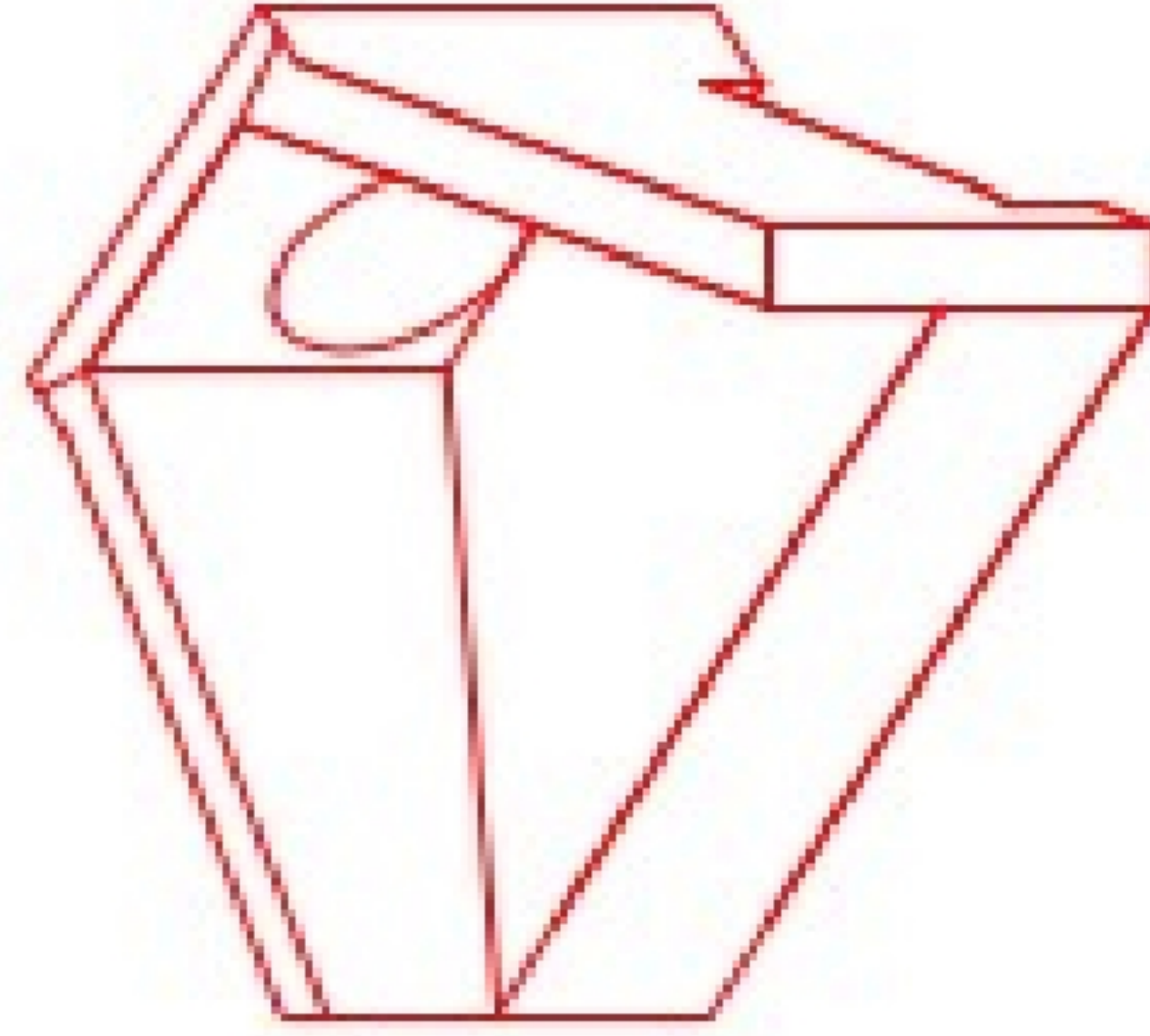


**Structure ID: 005 (HWPC 48in)**

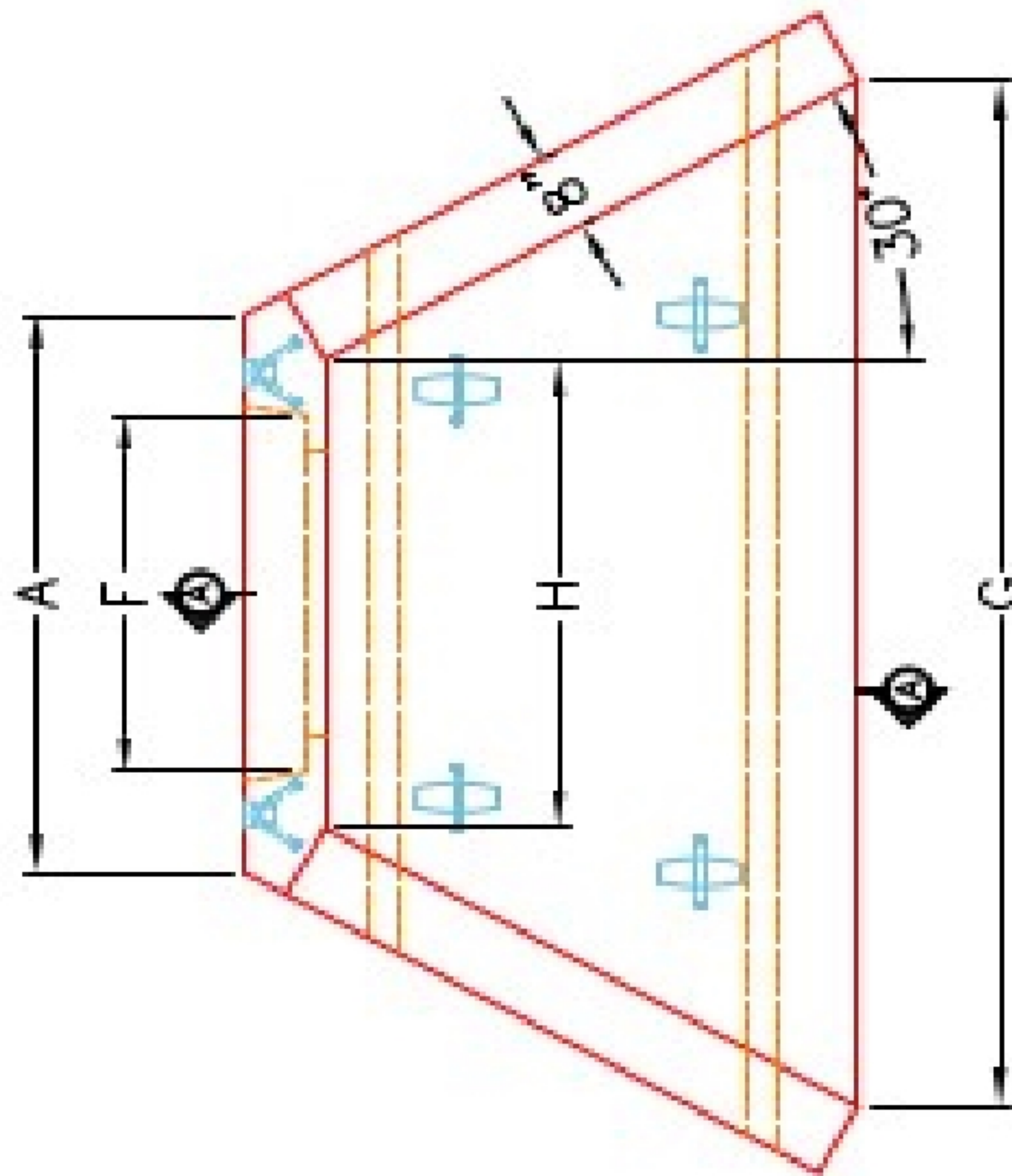
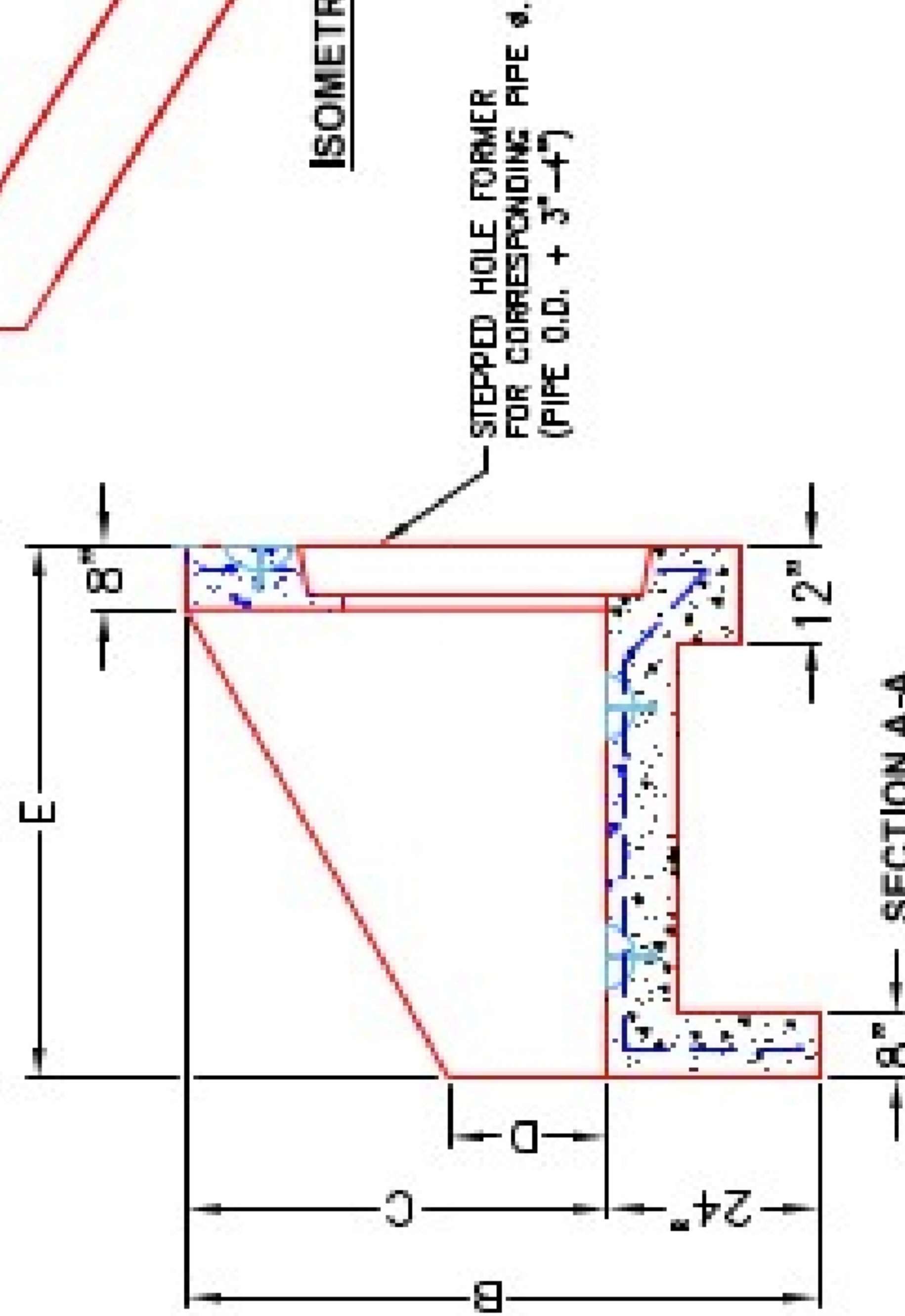
**P1 HWPC48**

**48" - PIPE CULVERT HEADWALL F/F**

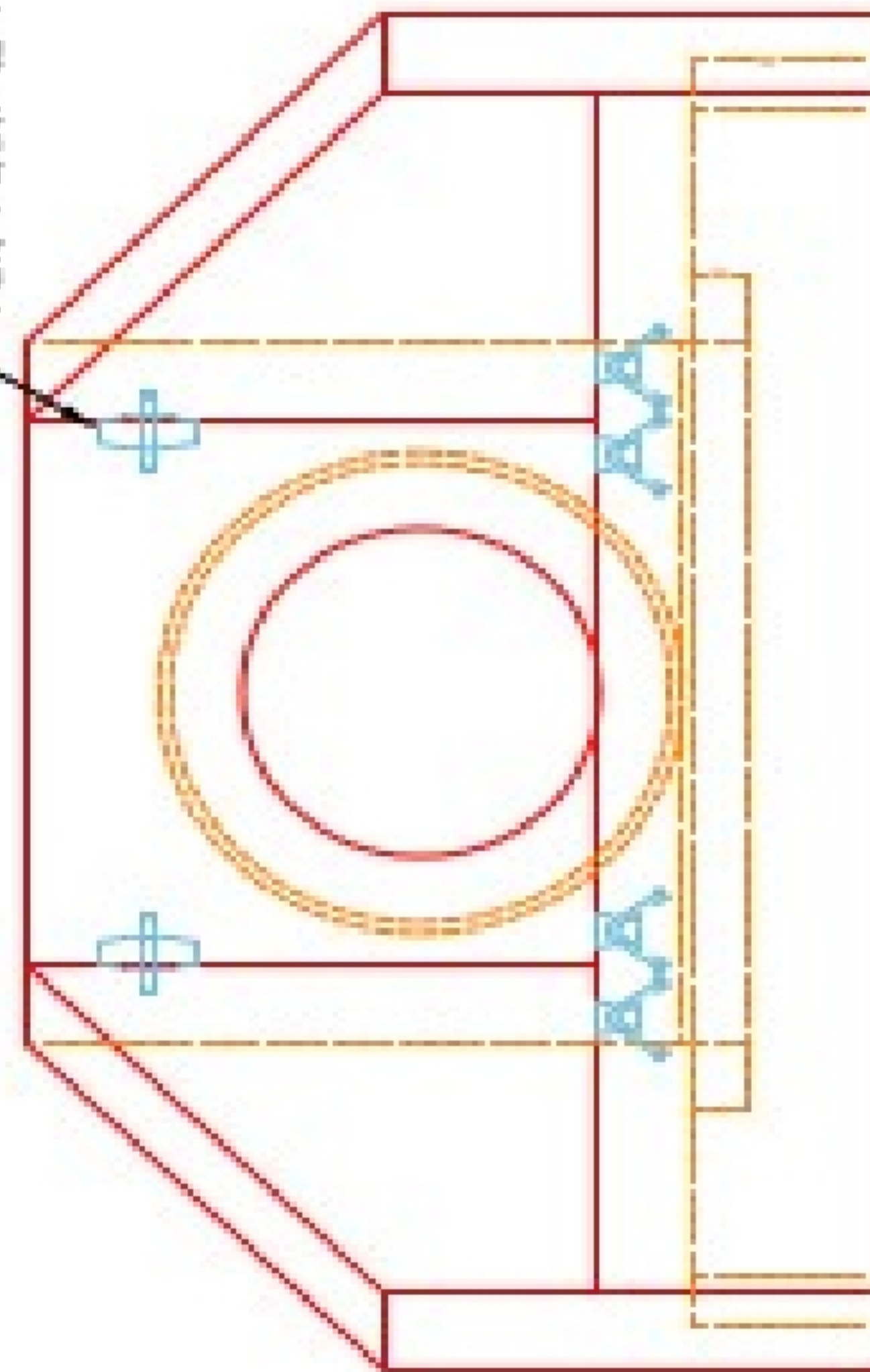
DIMENSIONS								WEIGHT	
PRE #	A	B	C	D	E	F	G	H	
3F	7'-4"	6'-4"	6'-0"	1'-4"	5'-0"	7'-0"	7'-8"	3'-4"	8,800 lbs.
3E	7'-4"	6'-4"	6'-0"	1'-4"	5'-0"	7'-0"	7'-8"	3'-4"	8,800 lbs.
4E	6'-4"	6'-7"	5'-5"	2'-4"	6'-5"	6'-6"	11'-8"	4'-11"	13,233 lbs.
4F	6'-4"	6'-7"	5'-5"	2'-4"	6'-5"	5'-5"	11'-8"	4'-11"	13,233 lbs.
5F	7'-4"	7'-8"	6'-6"	2'-4"	7'-4"	5'-8"	10'-8"	6'-0"	10,422 lbs.
6F	7'-4"	7'-8"	6'-6"	2'-4"	7'-4"	6'-4"	10'-8"	6'-0"	10,422 lbs.



ISOMETRIC VIEW



"A-ANCHOR" LIFTING SYSTEM FOR PLANT & FIELD HANDLING.



NOTES:

1. CONCRETE: KYTC APPROVED.
2. REINFORCING: #5 BAR @ 12" C/C E.W. - GRADE 60, (WITH 2" CONCRETE COVER MINIMUM)
3. REINFORCING BARS TO BE TACK WELDED OR TIED.
4. PIPE AND LIFTING ANCHOR POCKETS TO BE GROUTED WITH KYTC APPROVED NON-SHRINK GROUT.
5. DRAWING TO BE USED IN CONJUNCTION WITH KYTC STD. DRAWING RDH-110-02, RDH-210-03 AND THE STANDARD SPECIFICATIONS FOR ROAD AND BRIDGE CONSTRUCTION.
6. 3/4" CHAMFER ON ALL EXPOSED EDGES.
7. PREFORMED STEPPED HOLE SIZED AS PER O.D. OF PIPE + 3" - 4".

APPROVED FOR DESIGN ONLY

APPROVED  
 AS PER SPECIFICATION 18.02  
 KYTC DIV. OF CONSTRUCTION  
 DATE: 1/20/2021 9:50 am  
 INSTRUCTION

INFRASTRUCTURE PRECAST, INC.  
 601 WEST 17TH ST., BEAVER DAM, KY, 40009  
 PHONE: (606) 338-2222, FAX: (606) 338-7494

KYTC 30" - 60" PIPE CULVERT HEADWALL

DRAWING NO.: RTHC PC-181 DATE: 12-14-20  
 DRAWN BY: J.J. ROSS, PC DESIGN BY: H. RICHARDS  
 WBS: WWW.ICAST.COM SCALE: NPS