

Job Name: 25-2627 High St. Culvert Replacement
 Job Location: Springfield, KY
 Contractor: M&J Construction

Plant: Beaver Dam

Tech: J. Horsley

10/14/2025 8:44:06 AM

PC: C. Goff



Structure ID: 004 (STMH 84dia)

P2

MH FLAT TOP w/24" ECC Hole F/F

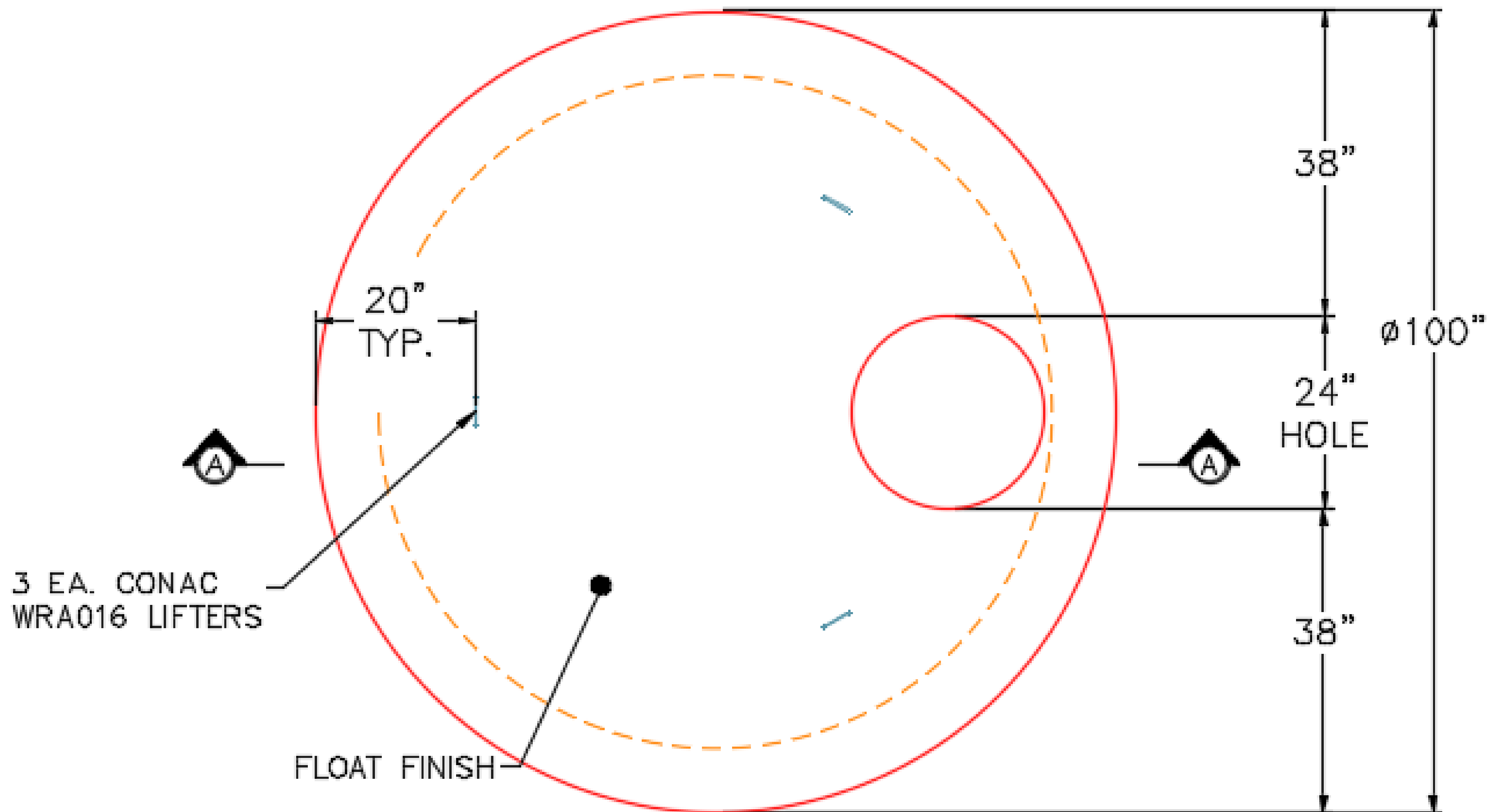
- P3) 24" - CASTING HEIGHT - 7"
- P2) 84" - MH FLAT TOP w/24" ECC Hole F/F - 10"
- P1) 84" - MH BASE Custom Ht F/n - 59"
- 1) CASTING - HOE MC-315 F/C Storm
- 1) 84" - Conseal CS-102 1.00"
- 2) DOGHOUSE INVRTD - 62"x58.75"
- 4) MH Step ML-10-TDS-NCR - 10"

	0 lb
	6211 lb
	11887 lb
	258 lb
	0 lb
	0 lb
	0 lb
Structure Total:	18356 lb

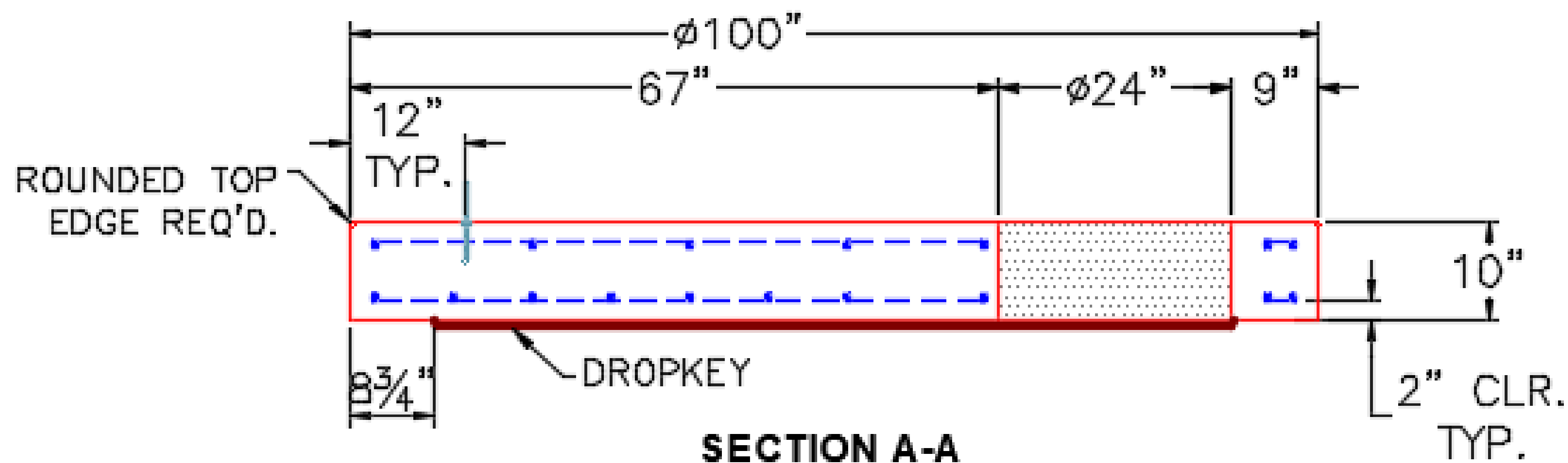
Structure Notes:
 1. PER ASTM C478 SPECIFICATIONS.
 2. CONCRETE = 4,000 PSI AT 28 DAYS.
 3. NO INVERT CHANNEL.
 4. CASTING BY ICAST (HOE MC-315 F/C).

REINFORCING PER ASTM A615 (GRADE 60).
 - TOP SLAB = H2O LOADING..
 - RISER/WALLS (As .18)
 - FLOOR (As .37) #5 BARS AT 10" C.C.E.W.

RFI:



PLAN VIEW



SECTION A-A

NOTES:

- 1. MANUFACTURED TO ASTM C-478 (LATEST REVISION).
- 2. CONCRETE: 5,000 PSI AT 28 DAYS.
- 4. REINFORCING: TOP MAT #4 BAR @ 18" O.C. E.W.
 BOTTOM MAT #4 BAR @ 9" O.C. E.W.
 (GRADE 60)

Coating (Int):	Seam Up: Flat	Wall Thickness: 8"	Height (Ext): 10"	Weight (Net): 6211 lb
Coating (Ext):	Seam Dn: Flat			Volume (Net): 1.59cu.yd