

Job Name: 25-2627 High St. Culvert Replacement	Plant: Beaver Dam	Tech: J. Horsley	
Job Location: Springfield, KY Contractor: M&J Construction	10/14/2025 8:43:50 AM	PC: C. Goff	

Structure ID: 003 (DBI TY.7)

P1 BX7878-08W08F-BAVF

BOX BASE 8inW, 8inF, Variable Ht F/n

P2) 78" x 78" - CB FLAT TOP 8"W SPEC. (DBI-7 F/G) F/F - 8"	5062 lb
P1) 78" x 78" - BOX BASE 8inW, 8inF, Variable Ht F/n - 65"	16631 lb
1) CASTING - HOE KY-328 SET (DBI 7)	328 lb
1) 36" x 36" - Conseal CS-102 1.00"	0 lb
1) Hole - 62	0 lb
1) Hole - 74 x 52	0 lb
1) Hole - 22	0 lb
Structure Total:	22021 lb

Structure Notes:

- PER KYTC DBI TYPE 7 / PER ASTM C913 SPEC'S.
- CONCRETE = 4,000 PSI AT 28 DAYS.
- NO INVERT CHANNEL.
- CASTING BY ICAST (HOE KY)
- STUB #5 BARS 20" OUT SIDE OF TOP SLAB (SPA@12"C/C)

REINFORCING PER ASTM A615 (GRADE 60).

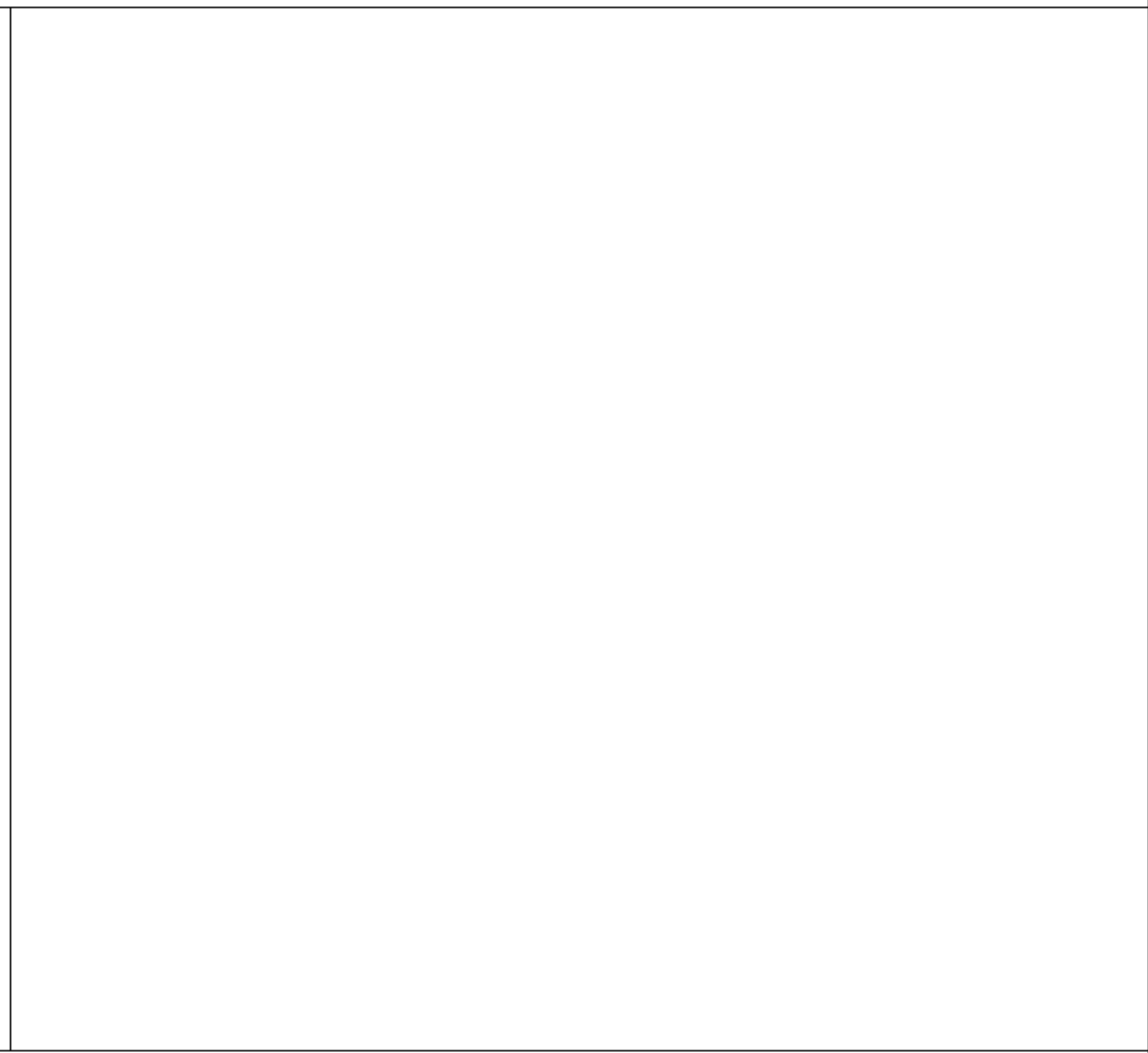
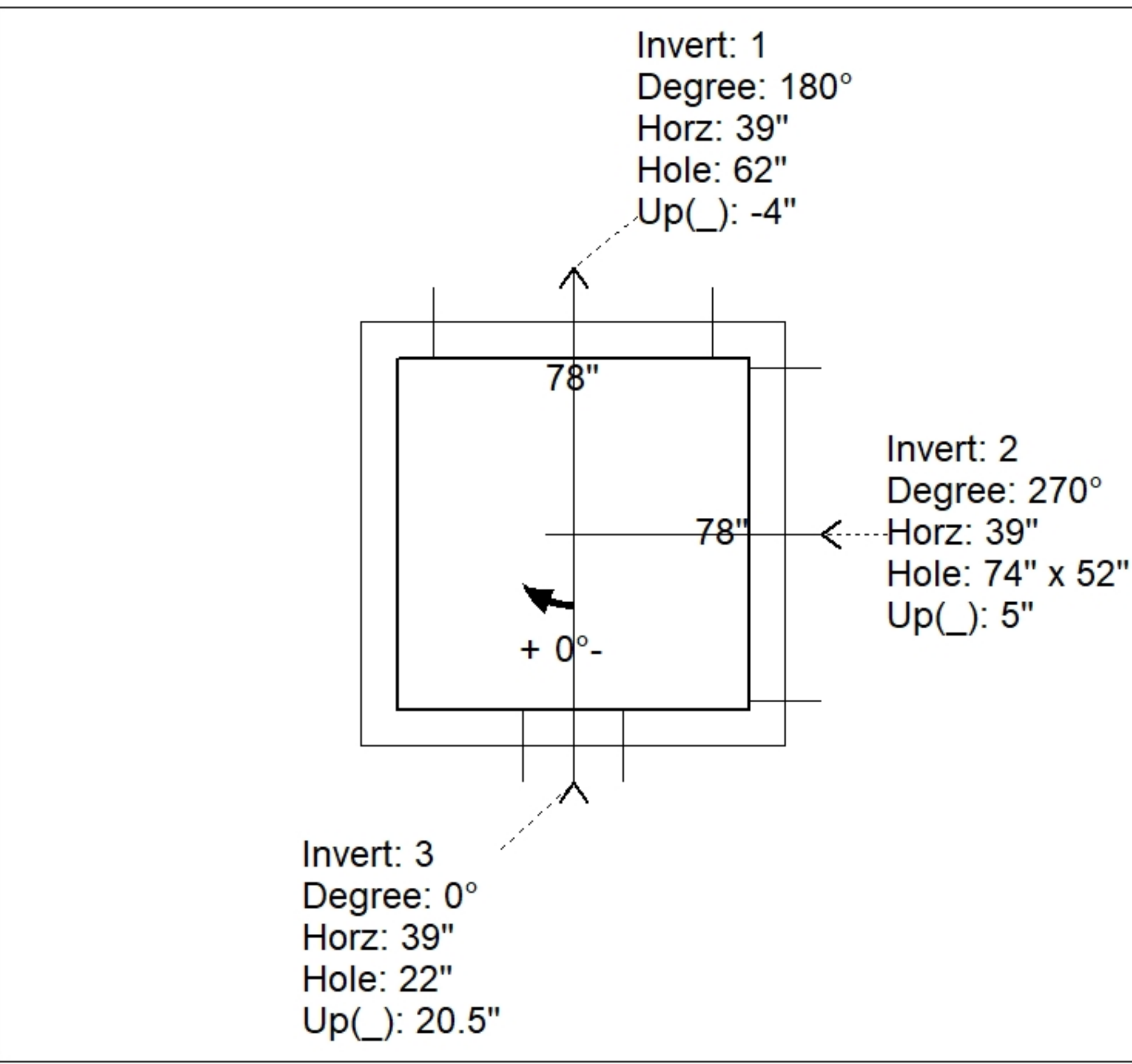
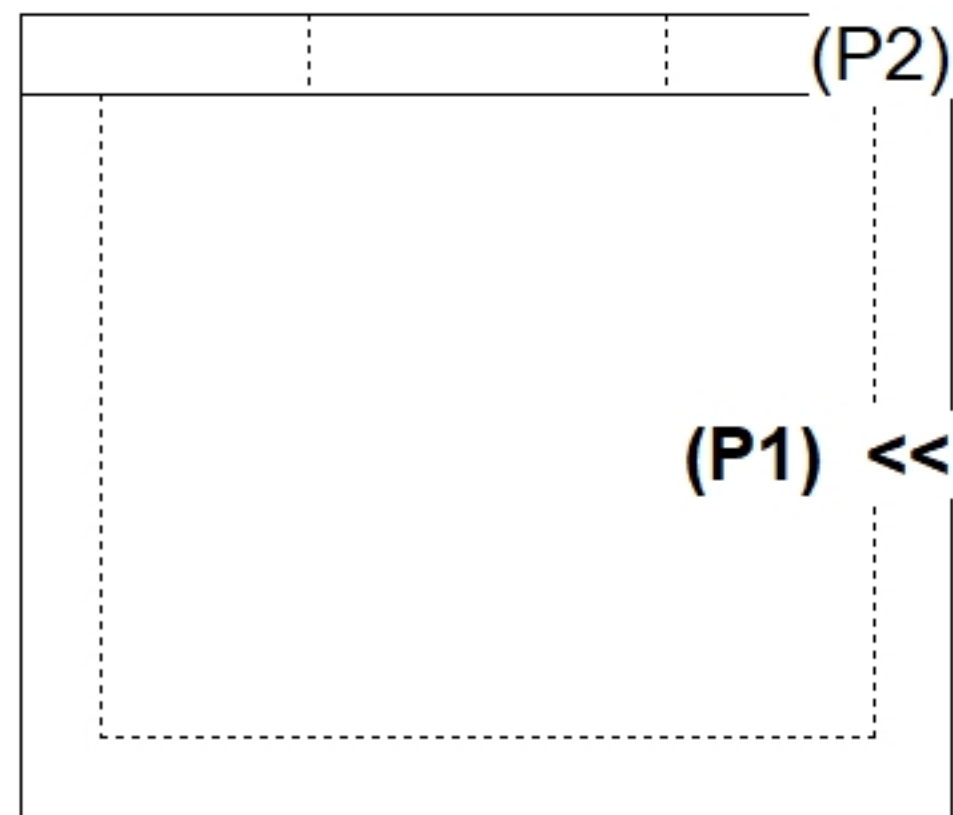
- TOP SLAB (As .62) #5 BARS AT 6" C.C.E.W. (DBL MAT).
- WALLS (As .31) #5 BARS AT 12" C.C.E.W..
- FLOOR (As .31) #5 BARS AT 12" C.C.E.W.

Rim: 754.1' Rim to Invert: 5.85' Slack: 0.2" Sump: 3" Step Position:

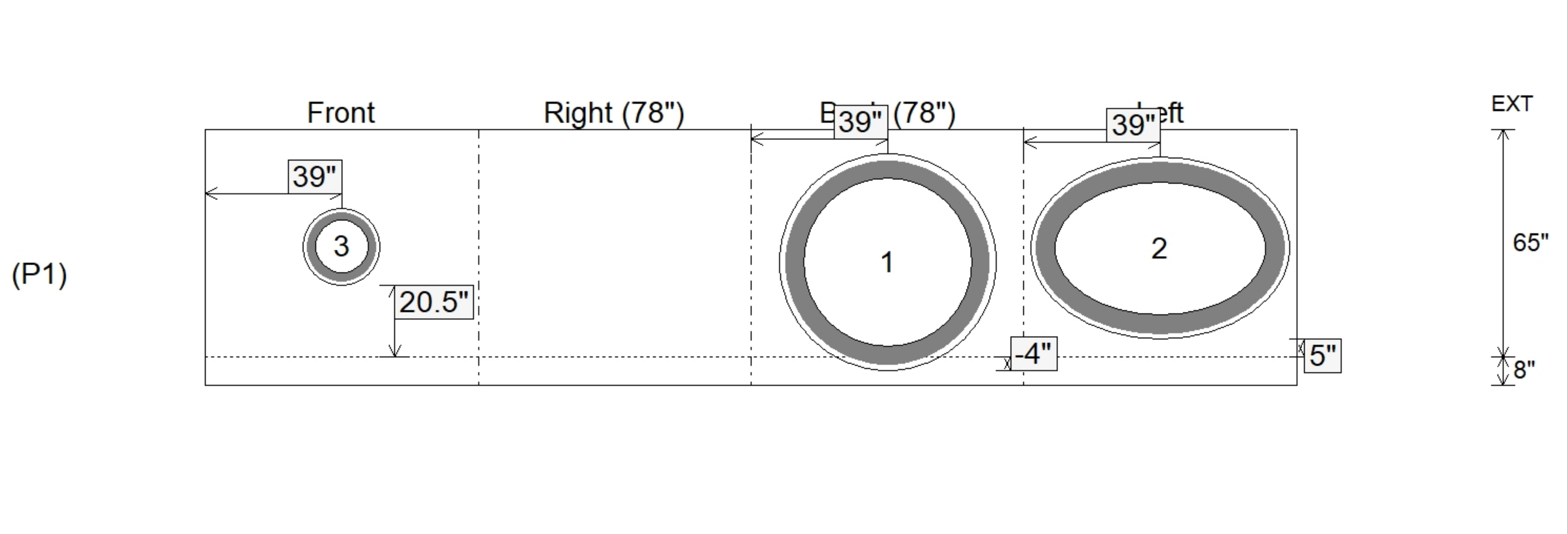
Position	Elev	Angle	Ext. (cw)	Pipe	Pipe OD	Connector	Hole	Horz Size	Up ()	Offset
Invert 1	748.25'	180°	47"	48" RCP B WALL	58"	Hole 62	62"	62"	-4"	0"
Invert 2	749'	270°	47"	60" x 38" ELL RCP	71" x 49"	Hole 74 x 52	74" x 52"	74"	5"	0"
Invert 3	750'	0°	47"	15" RCP B WALL	19.5"	Hole 22	22"	22"	20.5"	0"
Invert 4										
Invert 5										
Invert 6										
Invert 7										
Invert 8										

RIGHT-SIDE UP VIEW (int. dimensions)

UPSIDE-DOWN VIEW (int. dimensions)



INSIDE WALL DIMENSIONS



Coating (Int):	Seam Up: Flat	Wall Thickness: 8"	Height (Int): 65"	Weight (Net): 16631 lb
Coating (Ext):	Seam Dn: n/a	Floor Height: 8"	Height (Ext): 73"	Volume (Net): 4.25cu.yd