

Structure ID: 002 (KY CBI A)

P1 BX2484-08BAVF BOX BASE 8inW, 8inF, Variable Ht F/n

P4) 24" x 120" - CB INLET KY A 10' TOP LEFT F/G - 10" P3) 24" x 120" - CB INLET KY A 10' BOTTOM LEFT T/G - 18" P2) 24" x 84" - CB FT REDUCER 24"X36" HOLE T/F - 8" P1) 24" x 84" - BOX BASE 8inW, 8inF, Variable Ht F/n - 50" 1) CASTING - HOE KY-206 F/C (KY TY1) 1) 24" x 36" - Conseal CS-102 1.00" 2) DOGHOUSE INVRTD (ELLIP) - 74"x52.50"	3400 lb 5270 lb 2105 lb 6353 lb 206 lb 0 lb 0 lb ----- 17334 lb	Structure Notes: 1. PER KYTC CBI TYPE A / ASTM C913 SPEC'S. 2. CONCRETE = 4,000 PI AT 28 DAYS. 3. NO STEPS & NO INVERT CHANNEL. 4. CASTING BY ICAST (HOE K-206 TY. F/C) CAST INTO TOP SLAB. REINFORCING PER ASTM A615 (GRADE 60). - TOP PHASE (As .62) #5 BARS AT 6" C.C.E.W. - WALLS (As .31) #5 BARS AT 12" C.C.E.W. - FLOOR (As .31) #5 BARS AT 12" C.C.E.W.
--	---	--

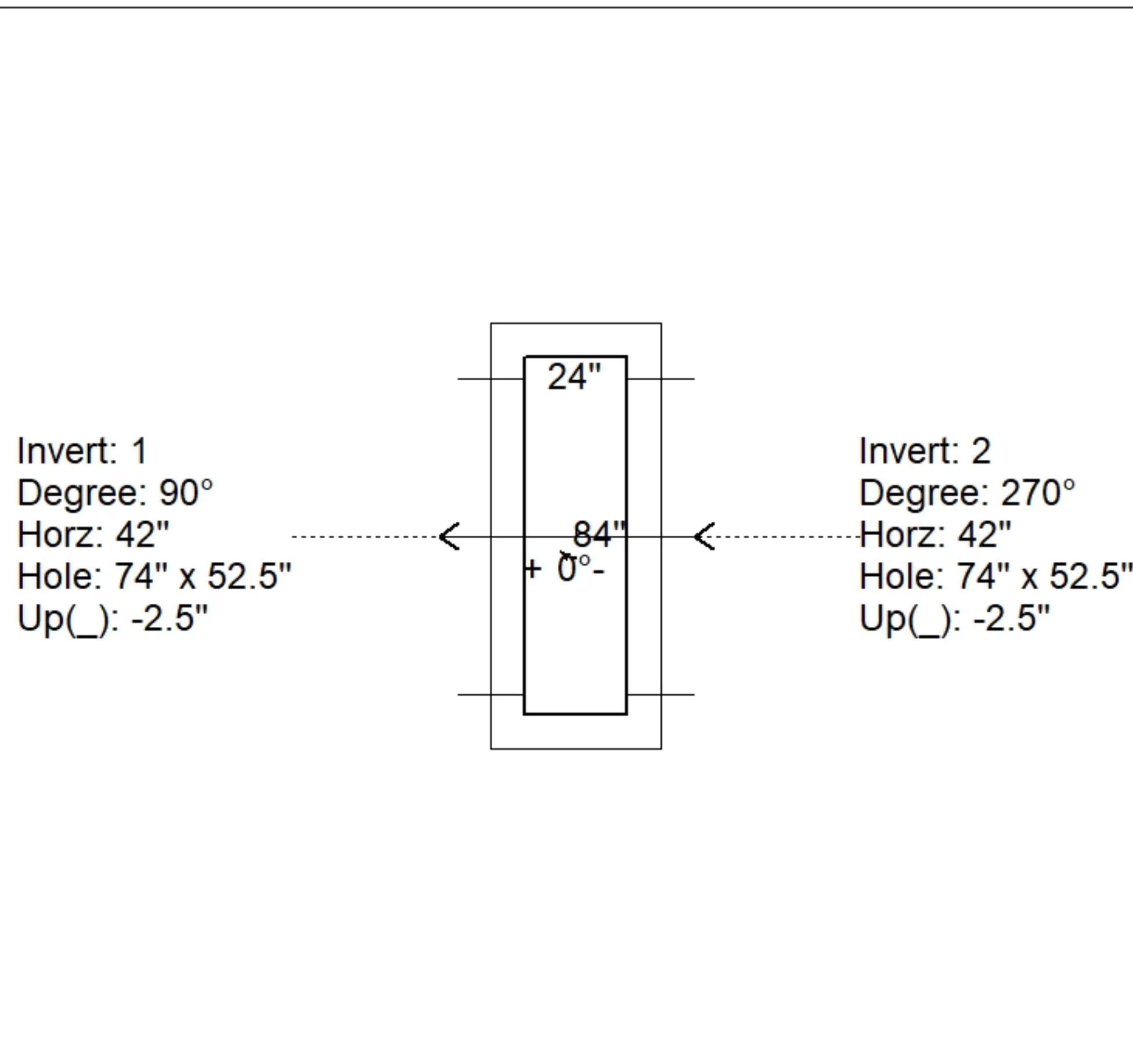
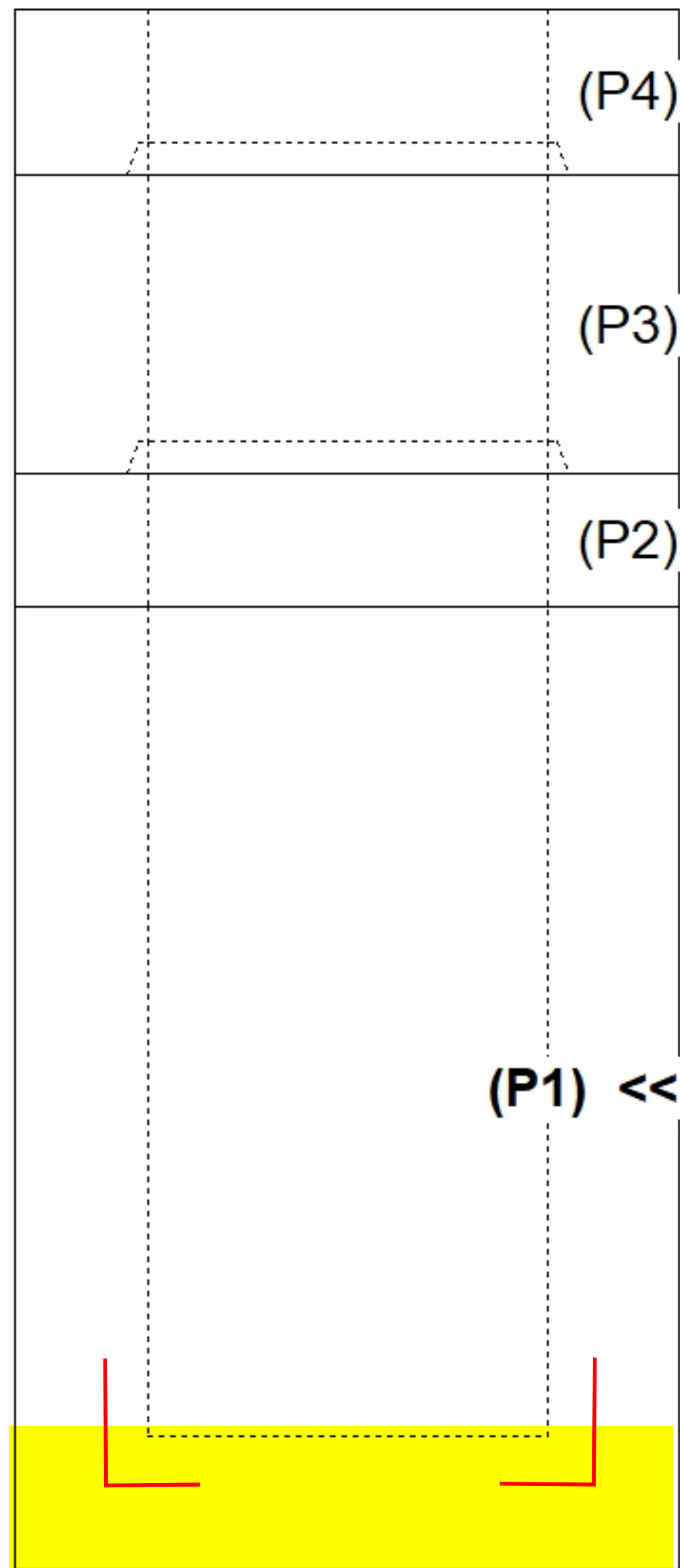
Structure Total: 17334 lb

Rim: 756.17' Rim to Invert: 6.92' Slack: 0.04" Sump: 3" Step Position:

Position	Elev	Angle	Ext. (cw)	Pipe	Pipe OD	Connector	Hole	Horz Size	Up ()	Offset
Invert 1	749.25'	90°	50"	60" x 38" ELL RCP	71" x 49"	DOGHOUSE INVRTD (ELLIP) 74"x52.50"	74" x 52.5"	74"	-2.5"	0"
Invert 2	749.25'	270°	50"	60" x 38" ELL RCP	71" x 49"	DOGHOUSE INVRTD (ELLIP) 74"x52.50"	74" x 52.5"	74"	-2.5"	0"
Invert 3										
Invert 4										
Invert 5										
Invert 6										
Invert 7										
Invert 8										

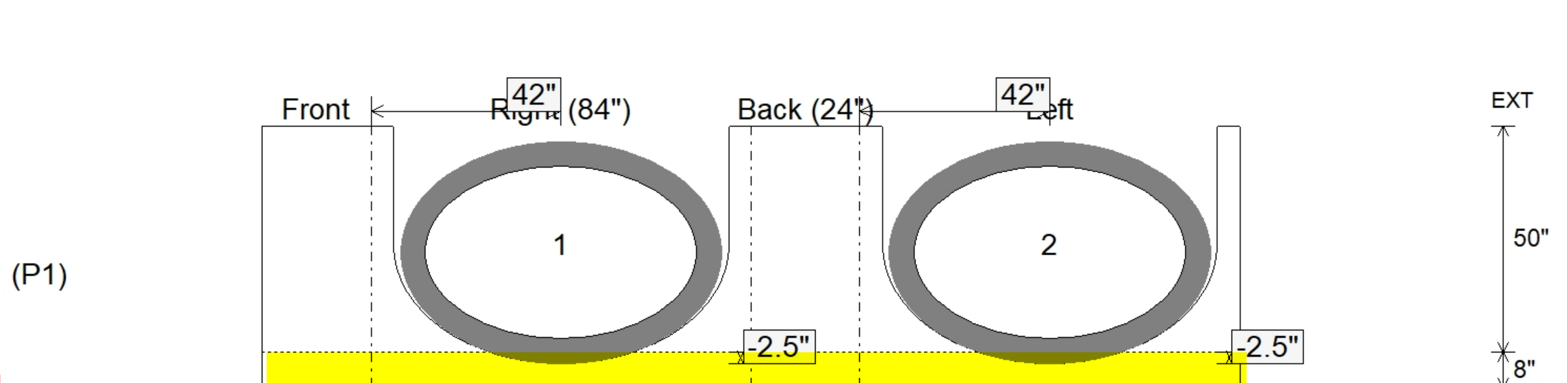
RIGHT-SIDE UP VIEW (int. dimensions)

UPSIDE-DOWN VIEW (int. dimensions)



1ST POUR (FLOOR) = 2,686 LBS
 2ND POUR (WALLS) = 3,667 LBS

INSIDE WALL DIMENSIONS



1st POUR (FLOOR)
 STUB #5 L BARS OUT TOP OF FLOOR
 AT 12" C/C FOR CONNECTING WALLS

Coating (Int):	Seam Up: Flat Seam Dn: n/a	Wall Thickness: 8" Floor Height: 8"	Height (Int): 50" Height (Ext): 58"	Weight (Net): 6353 lb Volume (Net): 1.62cu.yd
----------------	-------------------------------	--	--	--

Job Name: 25-2627 High St. Culvert Replacement	Plant: Beaver Dam	Tech: J. Horsley	
Job Location: Springfield, KY	10/14/2025 8:43:48 AM	PC: C. Goff	
Contractor: M&J Construction			

Structure ID: 002 (KY CBI A)

P1A BX2484-08BAVF

BOX BASE 8inW, 8inF, Variable Ht F/n

P4) 24" x 120" - CB INLET KY A 10' TOP LEFT F/G - 10"	3400 lb
P3) 24" x 120" - CB INLET KY A 10' BOTTOM LEFT T/G - 18"	5270 lb
P2) 24" x 84" - CB FT REDUCER 24"X36" HOLE T/F - 8"	2105 lb
P1) 24" x 84" - BOX BASE 8inW, 8inF, Variable Ht F/n - 50"	6353 lb
1) CASTING - HOE KY-206 F/C (KY TY1)	206 lb
1) 24" x 36" - Conseal CS-102 1.00"	0 lb
2) DOGHOUSE INVRTD (ELLIP) - 74"x52.50"	0 lb
Structure Total:	17334 lb

Structure Notes:
 1. PER KYTC CBI TYPE A / ASTM C913 SPEC'S.
 2. CONCRETE = 4,000 PI AT 28 DAYS.
 3. NO STEPS & NO INVERT CHANNEL.
 4. CASTING BY ICAST (HOE K-206 TY. F/C) CAST INTO TOP SLAB.

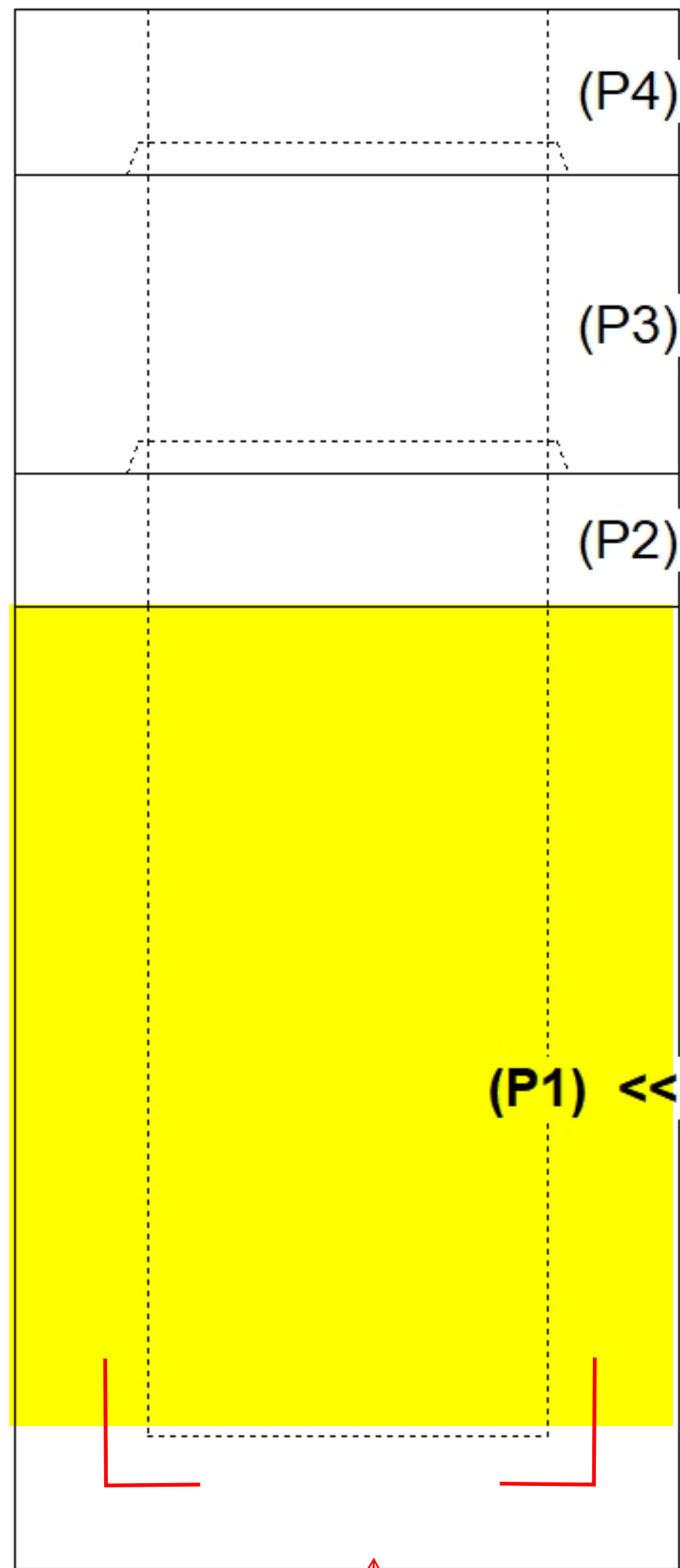
REINFORCING PER ASTM A615 (GRADE 60).
 - TOP PHASE (As .62) #5 BARS AT 6" C.C.E.W.
 - WALLS (As .31) #5 BARS AT 12" C.C.E.W.
 - FLOOR (As .31) #5 BARS AT 12" C.C.E.W.

Rim: 756.17' Rim to Invert: 6.92' Slack: 0.04" Sump: 3" Step Position:

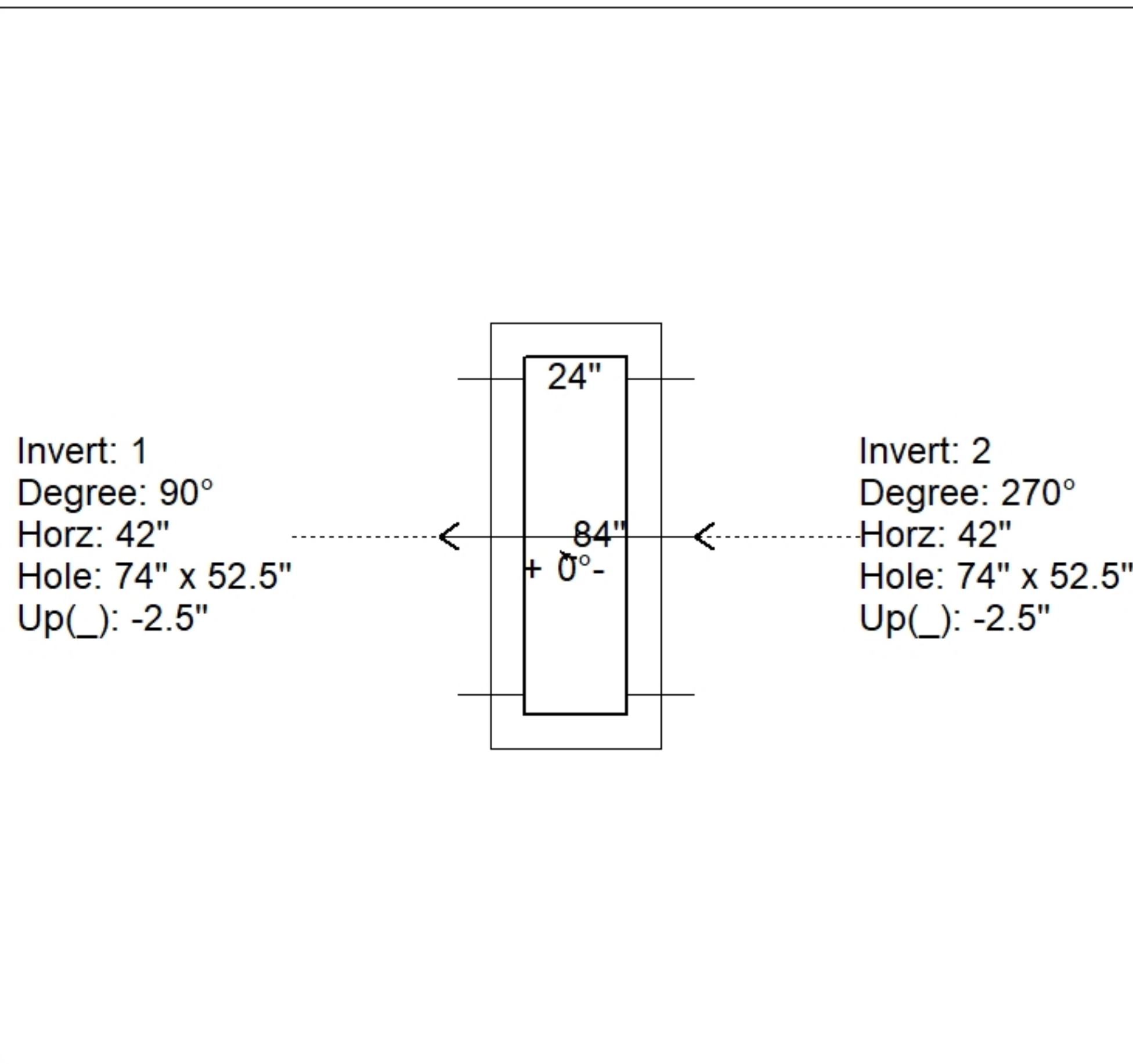
Position	Elev	Angle	Ext. (cw)	Pipe	Pipe OD	Connector	Hole	Horz Size	Up ()	Offset
Invert 1	749.25'	90°	50"	60" x 38" ELL RCP	71" x 49"	DOGHOUSE INVRTD (ELLIP) 74"x52.50"	74" x 52.5"	74"	-2.5"	0"
Invert 2	749.25'	270°	50"	60" x 38" ELL RCP	71" x 49"	DOGHOUSE INVRTD (ELLIP) 74"x52.50"	74" x 52.5"	74"	-2.5"	0"
Invert 3										
Invert 4										
Invert 5										
Invert 6										
Invert 7										
Invert 8										

RIGHT-SIDE UP VIEW (int. dimensions)

UPSIDE-DOWN VIEW (int. dimensions)

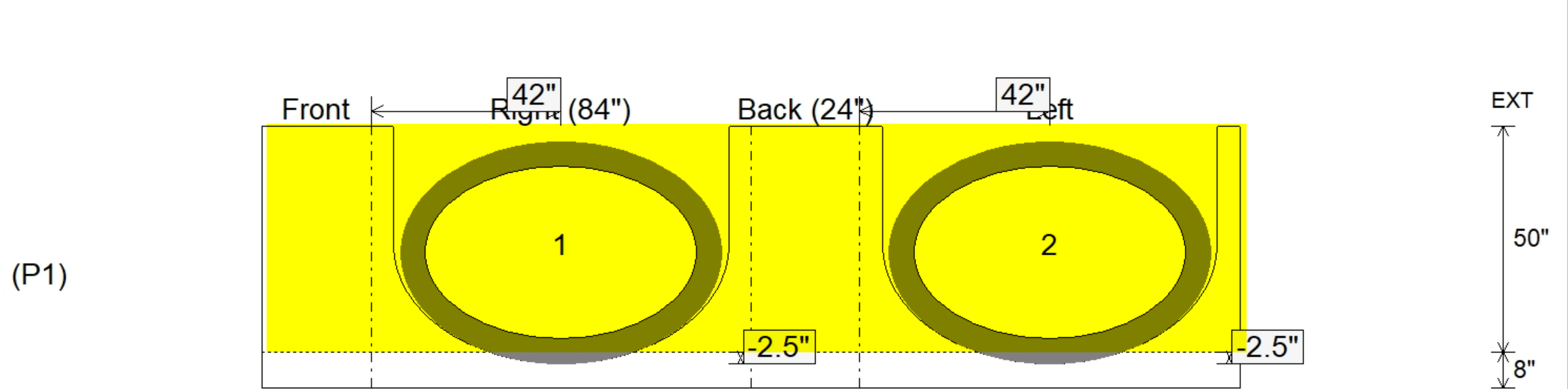


2nd POUR (WALLS)



1ST POUR (FLOOR) = 2,686 LBS
 2ND POUR (WALLS) = 3,667 LBS

INSIDE WALL DIMENSIONS



Coating (Int):	Seam Up: Flat	Wall Thickness: 8"	Height (Int): 50"	Weight (Net): 6353 lb
Coating (Ext):	Seam Dn: n/a	Floor Height: 8"	Height (Ext): 58"	Volume (Net): 1.62cu.yd