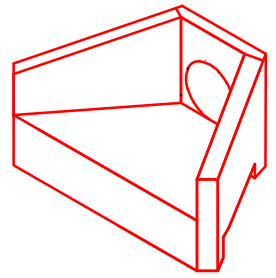
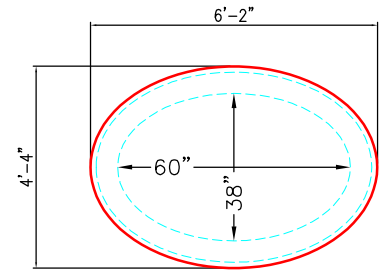
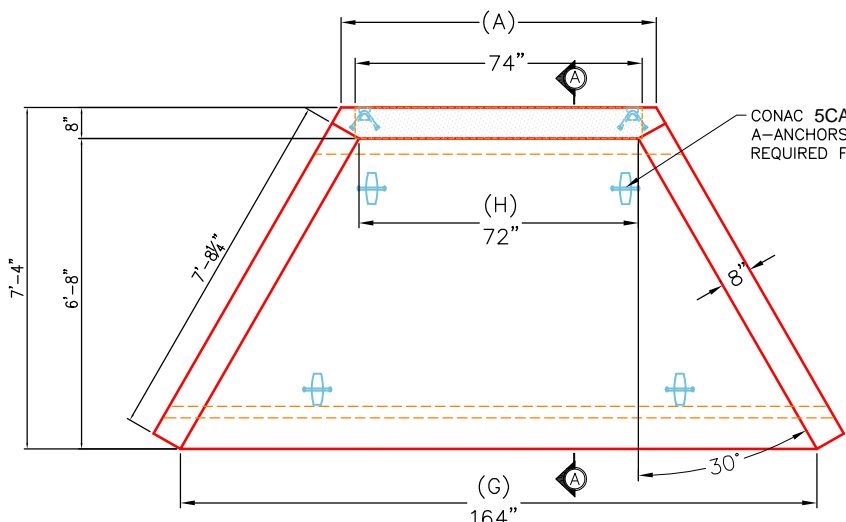
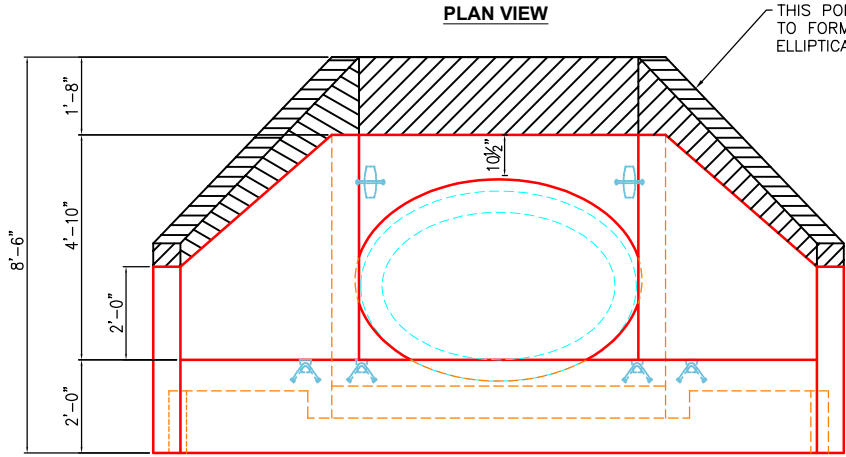


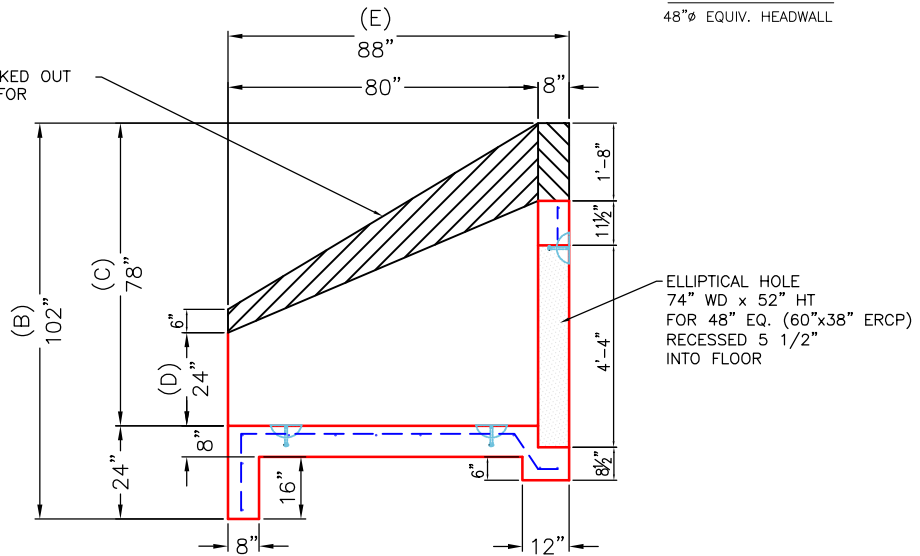
DIMENSIONS									
PIPE Ø	A	B	C	D	E	F	G	H	WEIGHT
60"x38" ERCP	7'-4"	8'-6"	6'-6"	2'-6"	7'-4"	6'-2"	13'-8"	6'-0"	18,422 lbs.



**ISOMETRIC VIEW**  
48"Ø EQUIV. HEADWALL




**FRONT ELEVATION**



**SECTION A-A**

**~NOTES:**

1. CONCRETE: 4500 PSI @ 28 DAYS.
2. REINFORCING: #5 BAR @ 12" C/C E.W.-GRADE 60, (WITH 2" CONCRETE COVER MINIMUM)
3. REINFORCING BARS TO BE TACK WELDED OR TIED.
4. DRAWING TO BE USED IN CONJUNCTION WITH KYTC STD. DRAWING RDH-110-02, RDH-210-03 AND THE STANDARD SPECIFICATIONS FOR ROAD AND BRIDGE CONSTRUCTION.
5. 3/8" CHAMFER ON ALL EXPOSED EDGES.

		<b>QUALITY CONTROL CHECKLIST</b>		PRODUCT I.D.: HWPC3860	DESCRIPTION: 60in PCHW FOR 60"x38" ERCP	
		<input type="checkbox"/> ALL DIMENSIONS CORRECT. <input type="checkbox"/> LIFTERS INSTALLED. <input type="checkbox"/> STEPPED HF CORRECT SIZE. <input type="checkbox"/> REINFORCING CORRECT. <input type="checkbox"/> DISSIPATOR BLOCKS INSTALLED. <input type="checkbox"/> EDGES CHAMFERED. <input type="checkbox"/> ALL PATCHWORK ACCEPTABLE.	PRODUCT VIEW: RIGHT SIDE UP PLANT: BEAVER DAM, KY. WEIGHT: 18,422 LBS. TOP SECTION JOINT: N/A BASE SECTION JOINT: N/A QC CHECK INITIALS:	CUSTOMER: M&J CONSTRUCTION PROJECT: HIGH STR. CULVERT REPLACEMENT STRUCTURE ID.: 001 (HWPC 48 EQ.- 60x38 ERCP) QUOTE/SALES ORDER NO: 25-2627 CHK: B. SMITH DATE: 02/17/25	DRAWING: J. HORSLEY SCALE: NTS PG. 1 of 1	