

**Job Name: 25-2621 Night Hawk Place Lot 2G Storm**  
**Job Location: Radcliff, KY**  
**Contractor: City of Radcliff**

PC: J.Jarvis  
 TECH: C.Russ  
 Plant: Beaver Dam



Structure ID: **SCI E**  
 Spec: Storm  
 Type: STM.MH  
 Size: 48"

Rim: 738.16'  
 Invert: 734.32'  
 Rim to Invert: 3.84'

Sump: 3.05"  
 Floor (Top): 734.066'  
 Floor Height: 6"

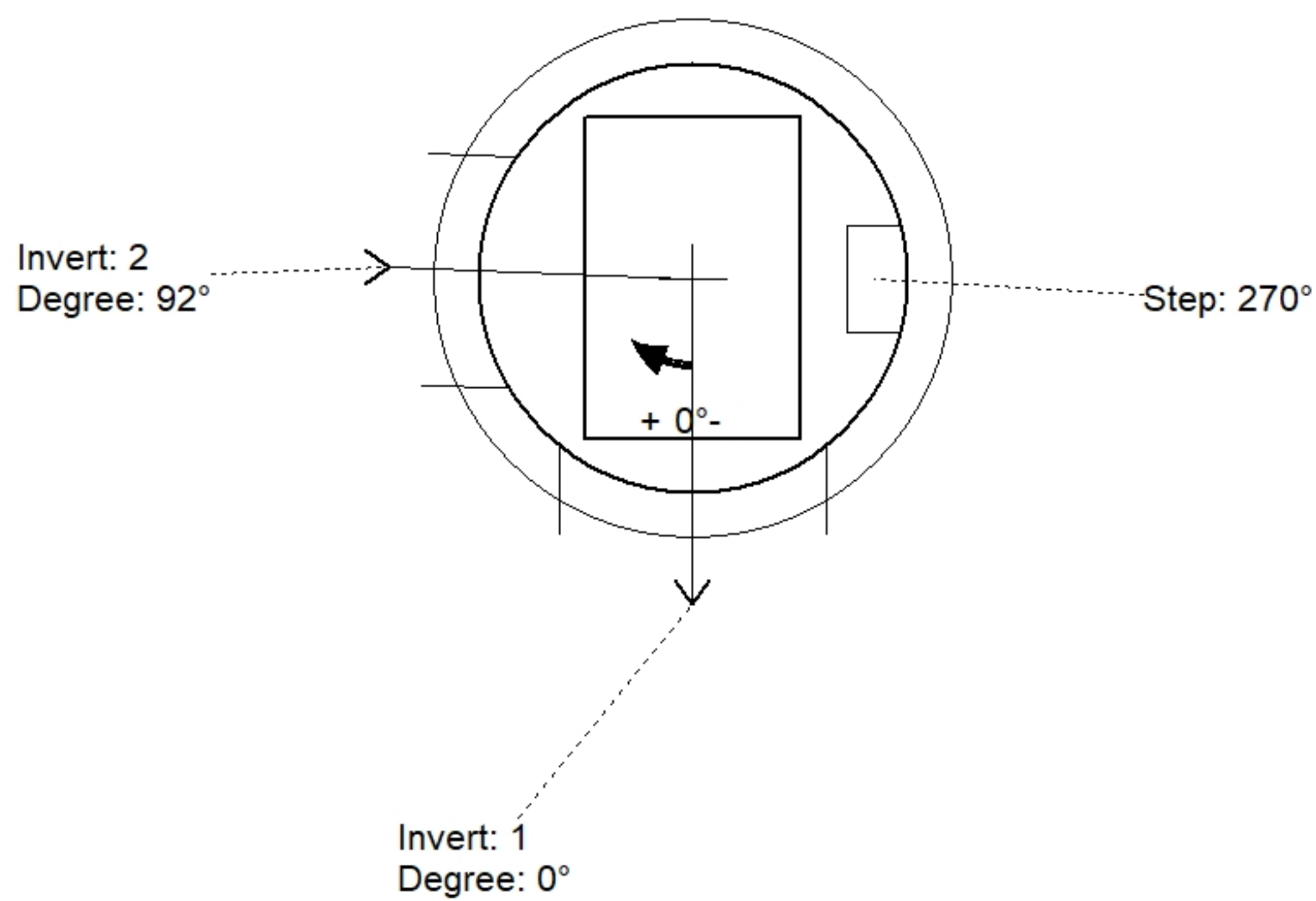
Floor (Bot): 733.566'  
 Overall Height: 4.583'  
 Slack: 0.13"

**Structure Notes:**

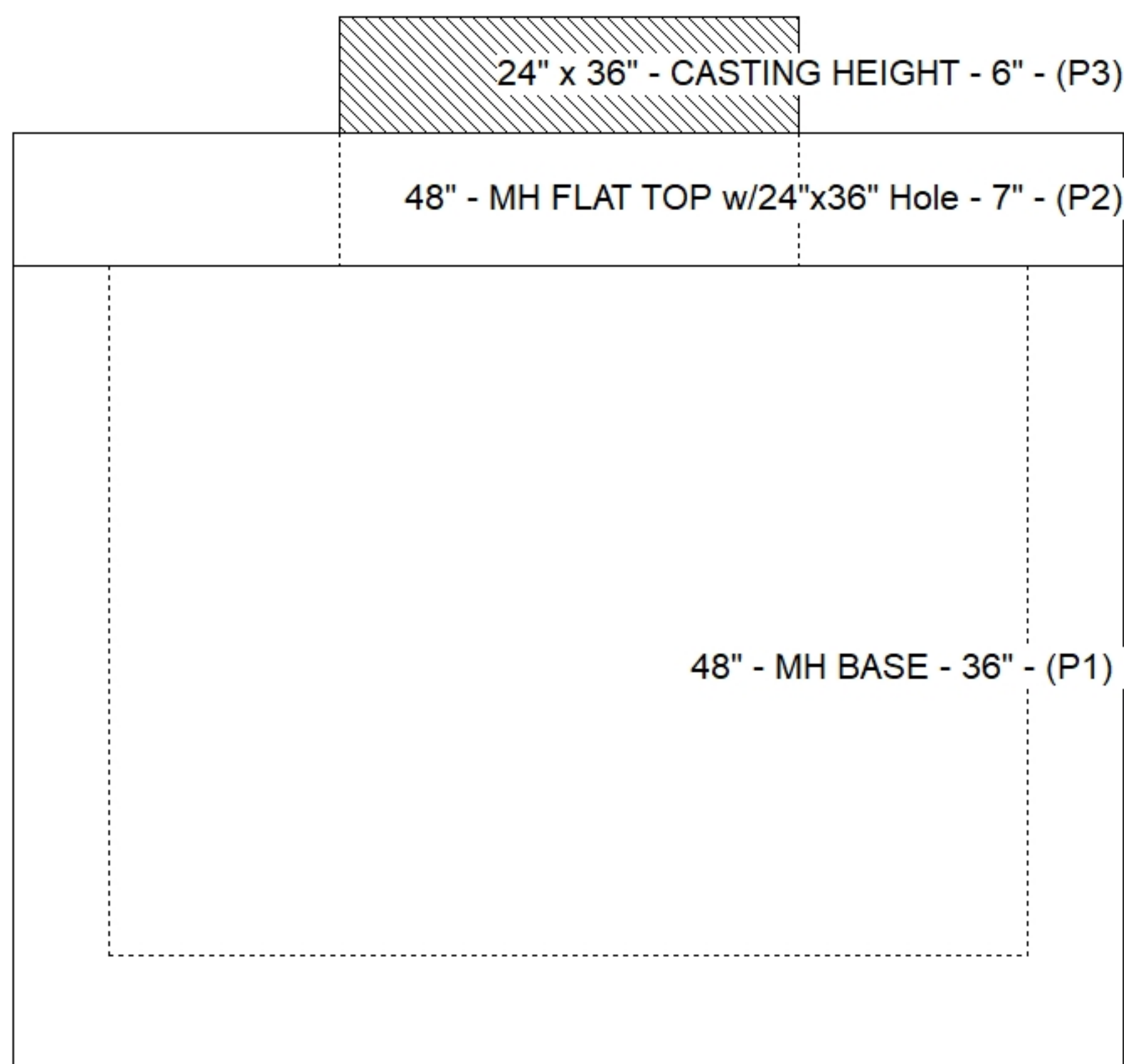
1. PER ASTM C478 SPECIFICATIONS.
2. CONCRETE = 4,000 PSI AT 28 DAYS.
3. HOE 525 BY ICAST
4. REINFORCING PER ASTM A615 (GRADE 60).
  - TOP SLAB (As .62) #5 BARS AT 6" C.C.E.W..
  - RISER/WALLS (As .12)
  - FLOOR (As .31) #5 BARS AT 12" C.C.E.W.

**STRUCTURE SUMMARY:**

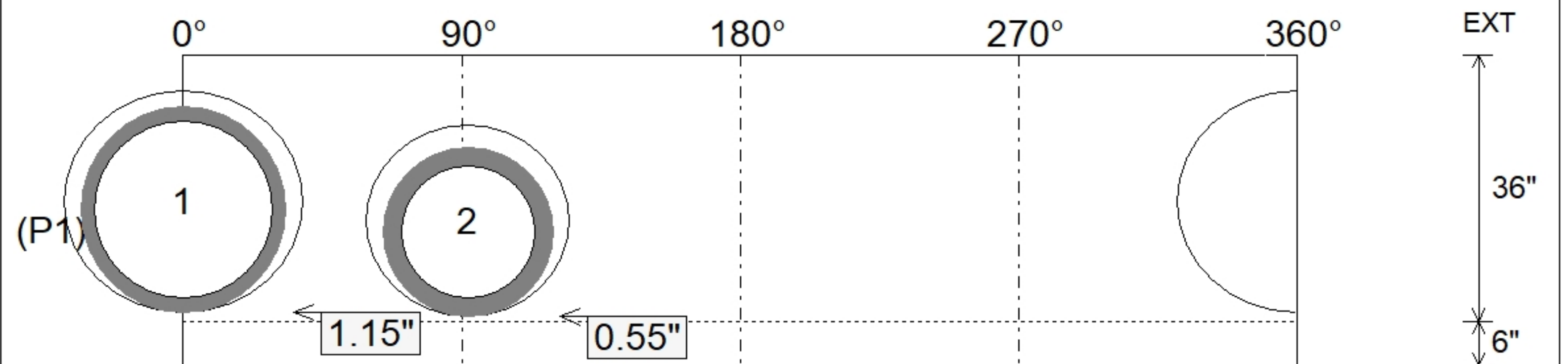
P3) 24" x 36" - CASTING HEIGHT - 6"	0 lb
P2) 48" - MH FLAT TOP w/24"x36" Hole - 7"	1044 lb
P1) 48" - MH BASE - 36"	3296 lb
1) 48" - SGL 1"x14.5' Butyl (2x)	0 lb
1) Hole - 30	0 lb
1) Hole - 26	0 lb
3) MH Step ML-10-TDS-NCR - 10"	0 lb
<b>Structure Total:</b>	<b>4340 lb</b>



Position	Elev	Angle	Pipe	Pipe OD	Hole	Connector	Up ( )	Ref
Rim	738.16'							
Reducer								
Invert 1	734.32'	0°	24" HDPE	27.8"	30"	Hole 30	1.15"	P1
Invert 2	734.32'	92°	18" RCP B WALL	23"	26"	Hole 26	0.55"	P1
Invert 3								
Invert 4								
Invert 5								
Invert 6								
Invert 7								
Invert 8								



**Default - Interior Dimensions**



Submittal Drawing  
 11/13/2025 1:44:06 PM

SUBMITTAL  
 APPROVED BY: