

Job Name: 25-2621 Night Hawk Place Lot 2G Storm
Job Location: Radcliff, KY
Contractor: City of Radcliff

PC: J.Jarvis
 TECH: C.Russ
 Plant: Beaver Dam



Structure ID: **SCI C**

Spec: Storm
 Type: STM.MH (Recessed pipe)
 Size: 48"

Rim: 743.18'
 Invert: 739.34'
 Rim to Invert: 3.84'

Sump: 0"
 Floor (Top): 739.34'
 Floor Height: 6"

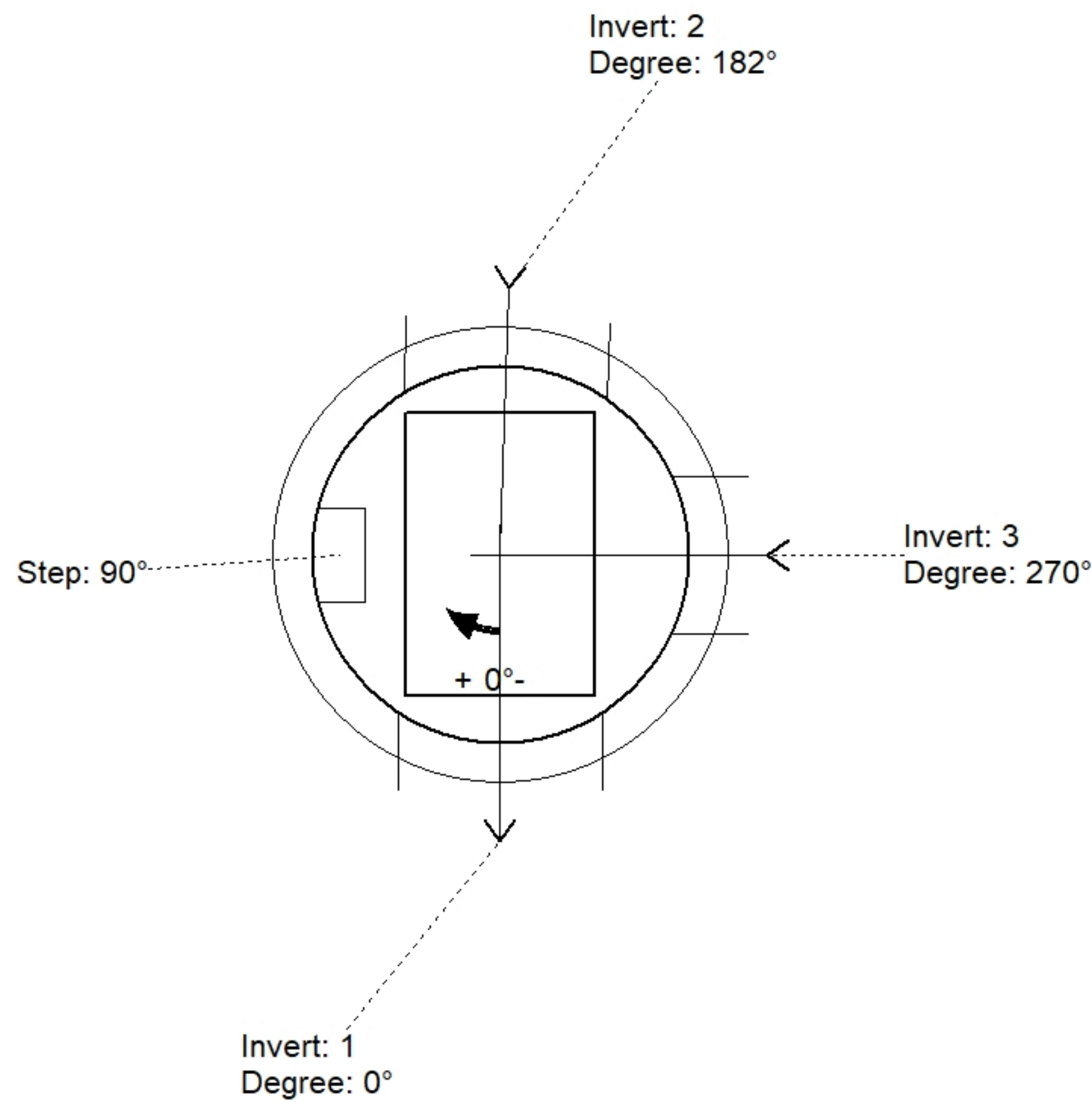
Floor (Bot): 738.84'
 Overall Height: 4.333'
 Slack: 0.08"

Structure Notes:

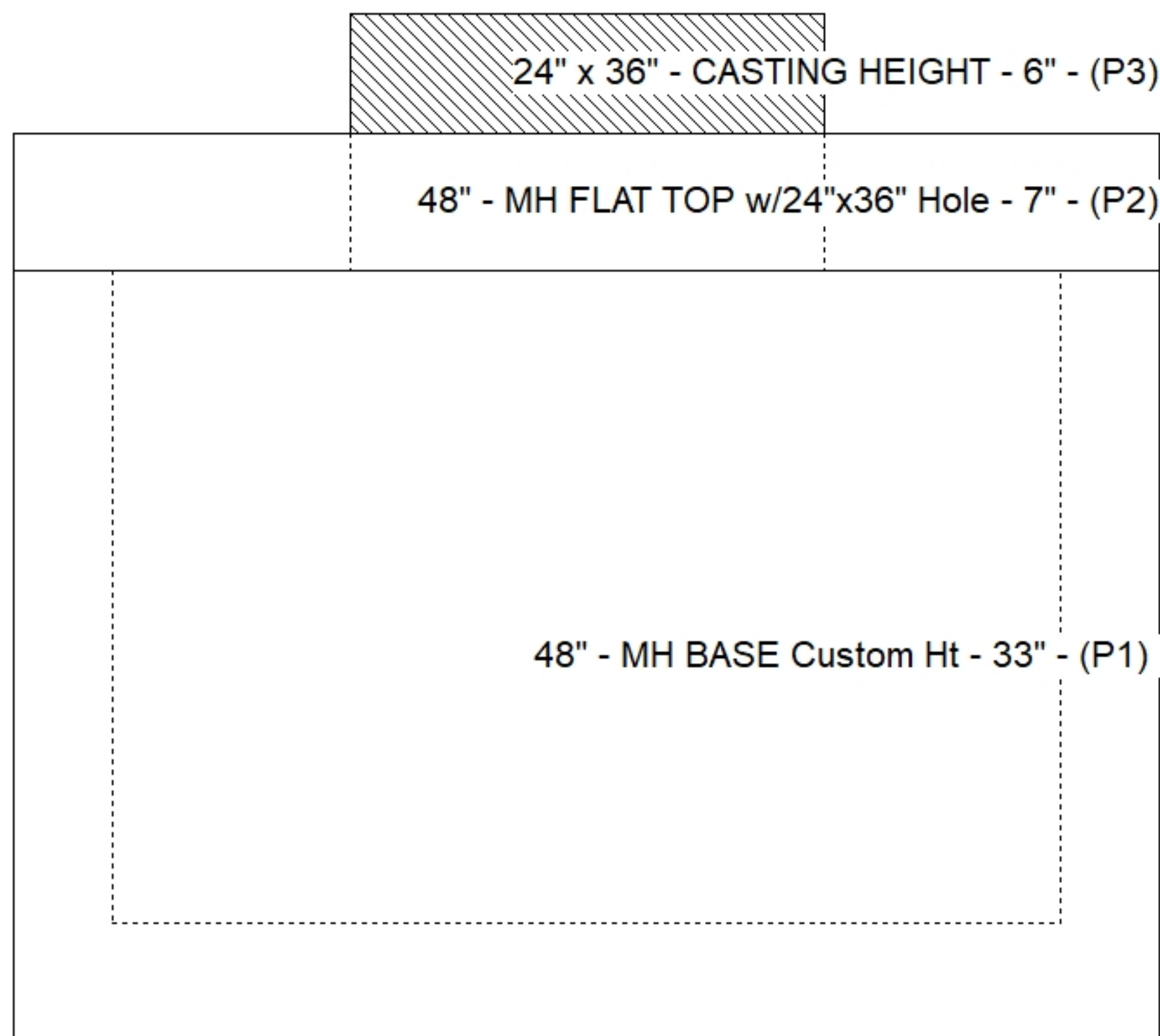
1. PER ASTM C478 SPECIFICATIONS.
2. CONCRETE = 4,000 PSI AT 28 DAYS.
3. HOE 525 BY ICAST
3. REINFORCING PER ASTM A615 (GRADE 60).
 - TOP SLAB (As .62) #5 BARS AT 6" C.C.E.W..
 - RISER/WALLS (As .12)
 - FLOOR (As .31) #5 BARS AT 12" C.C.E.W.

STRUCTURE SUMMARY:

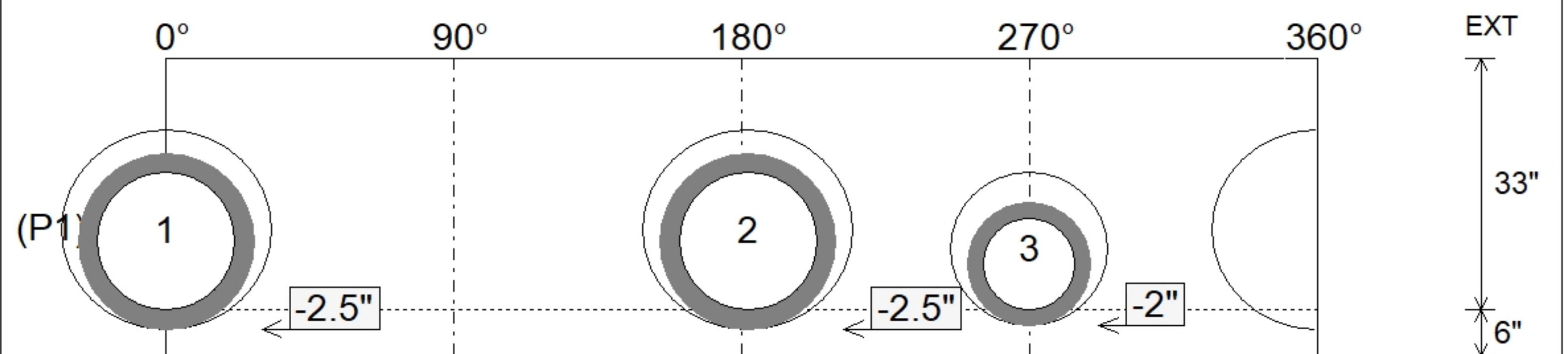
P3) 24" x 36" - CASTING HEIGHT - 6"	0 lb
P2) 48" - MH FLAT TOP w/24"x36" Hole - 7"	1044 lb
P1) 48" - MH BASE Custom Ht - 33"	3034 lb
1) 48" - SGL 1"x14.5' Butyl (2x)	0 lb
2) Hole - 26	0 lb
1) Hole - 20	0 lb
3) MH Step ML-10-TDS-NCR - 10"	0 lb
Structure Total:	4078 lb



Position	Elev	Angle	Pipe	Pipe OD	Hole	Connector	Up ()	Ref
Rim	743.18'							
Reducer								
Invert 1	739.34'	0°	18" RCP B WALL	23"	26"	Hole 26	-2.5"	P1
Invert 2	739.34'	182°	18" RCP B WALL	23"	26"	Hole 26	-2.5"	P1
Invert 3	739.34'	270°	12" RCP B WALL	16"	20"	Hole 20	-2"	P1
Invert 4								
Invert 5								
Invert 6								
Invert 7								
Invert 8								



Default - Interior Dimensions



Submittal Drawing
 11/13/2025 1:44:04 PM

SUBMITTAL
 APPROVED BY: