

**Structure ID: SCI A**

**P1 BX2436-08BVF**

**BOX BASE 8inW, 8inF, Variable Ht F/n**

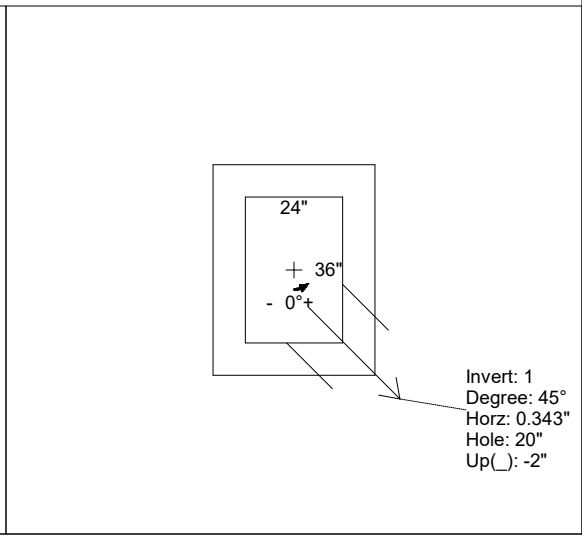
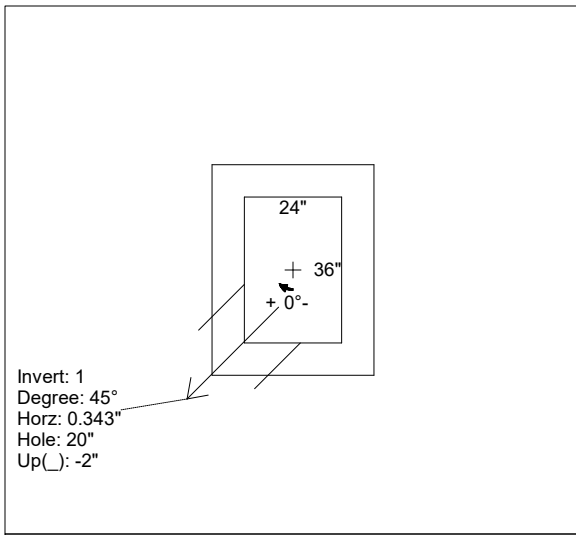
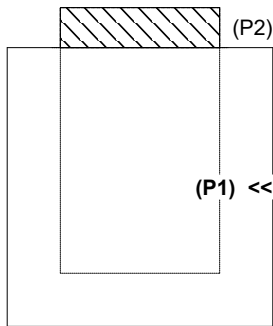
P2) 24" x 36" - CASTING HEIGHT - 6" P1) 24" x 36" - BOX BASE 8inW, 8inF, Variable Ht F/n - 34" 1) 24" x 36" - SGL 1"x14.5' Butyl 1) Hole - 20	<table style="width:100%;"> <tr><td style="text-align: right;">0 lb</td><td style="text-align: left;">Structure Notes:</td></tr> <tr><td style="text-align: right;">4567 lb</td><td>1. PER ASTM C913 SPECIFICATIONS.</td></tr> <tr><td style="text-align: right;">0 lb</td><td>2. CONCRETE = 4,000 PSI AT 28 DAYS.</td></tr> <tr><td style="text-align: right;">0 lb</td><td>3. NO INVERT CHANNEL.</td></tr> <tr><td style="text-align: right;">-----0 lb</td><td>4. HOE 525 BY ICAST</td></tr> <tr><td style="text-align: right;">Structure Total: 4567 lb</td><td>5. REINFORCING PER ASTM A615 (GRADE 60).</td></tr> <tr><td></td><td>- WALLS (As .12) #5 BARS AT 12" C.C.E.W.</td></tr> <tr><td></td><td>- FLOOR (As .12) #5 BARS AT 12" C.C.E.W.</td></tr> </table>	0 lb	Structure Notes:	4567 lb	1. PER ASTM C913 SPECIFICATIONS.	0 lb	2. CONCRETE = 4,000 PSI AT 28 DAYS.	0 lb	3. NO INVERT CHANNEL.	-----0 lb	4. HOE 525 BY ICAST	Structure Total: 4567 lb	5. REINFORCING PER ASTM A615 (GRADE 60).		- WALLS (As .12) #5 BARS AT 12" C.C.E.W.		- FLOOR (As .12) #5 BARS AT 12" C.C.E.W.
0 lb	Structure Notes:																
4567 lb	1. PER ASTM C913 SPECIFICATIONS.																
0 lb	2. CONCRETE = 4,000 PSI AT 28 DAYS.																
0 lb	3. NO INVERT CHANNEL.																
-----0 lb	4. HOE 525 BY ICAST																
Structure Total: 4567 lb	5. REINFORCING PER ASTM A615 (GRADE 60).																
	- WALLS (As .12) #5 BARS AT 12" C.C.E.W.																
	- FLOOR (As .12) #5 BARS AT 12" C.C.E.W.																

Rim: 748.09'    Rim to Invert: 3.33'    Slack: -0.04"    Sump: 0"    Step Position:

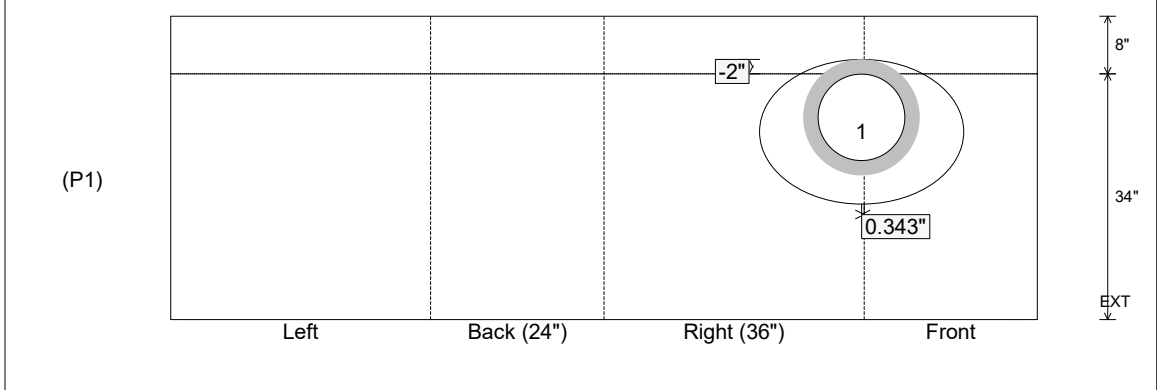
Position	Elev	Angle	Ext. (cw)	Pipe	Pipe OD	Connector	Hole	Horz Size	Up ( )	Offset
Invert 1	744.76'	45°	0.343"	12" RCP B WALL	16"	Hole 20	20"	14.485", 13.799"	-2"	-4"
Invert 2										
Invert 3										
Invert 4										
Invert 5										
Invert 6										
Invert 7										
Invert 8										

RIGHT-SIDE UP VIEW (int. dimensions)

UPSIDE-DOWN VIEW (int. dimenions)



INSIDE WALL DIMENSIONS



Coating (Int): Coating (Ext):	Seam Up: Flat Seam Dn: n/a	Wall Thickness: 8" Floor Height: 8"	Height (Int): 34" Height (Ext): 42"	Weight (Net): 4567 lb Volume (Net): 1.17cu.yd
----------------------------------	-------------------------------	--	--	--