

**Job Name: 25-2621 Night Hawk Place Lot 2G Storm**  
**Job Location: Radcliff, KY**  
**Contractor: City of Radcliff**

PC: J.Jarvis  
 TECH: C.Russ  
 Plant: Beaver Dam



Structure ID: **JB M**  
 Spec: Storm  
 Type: BX 8inW, 8inF  
 Size: 24" x 36"

Rim: 735.9'  
 Invert: 731.44'  
 Rim to Invert: 4.46'

Sump: 0"  
 Floor (Top): 731.44'  
 Floor Height: 8"

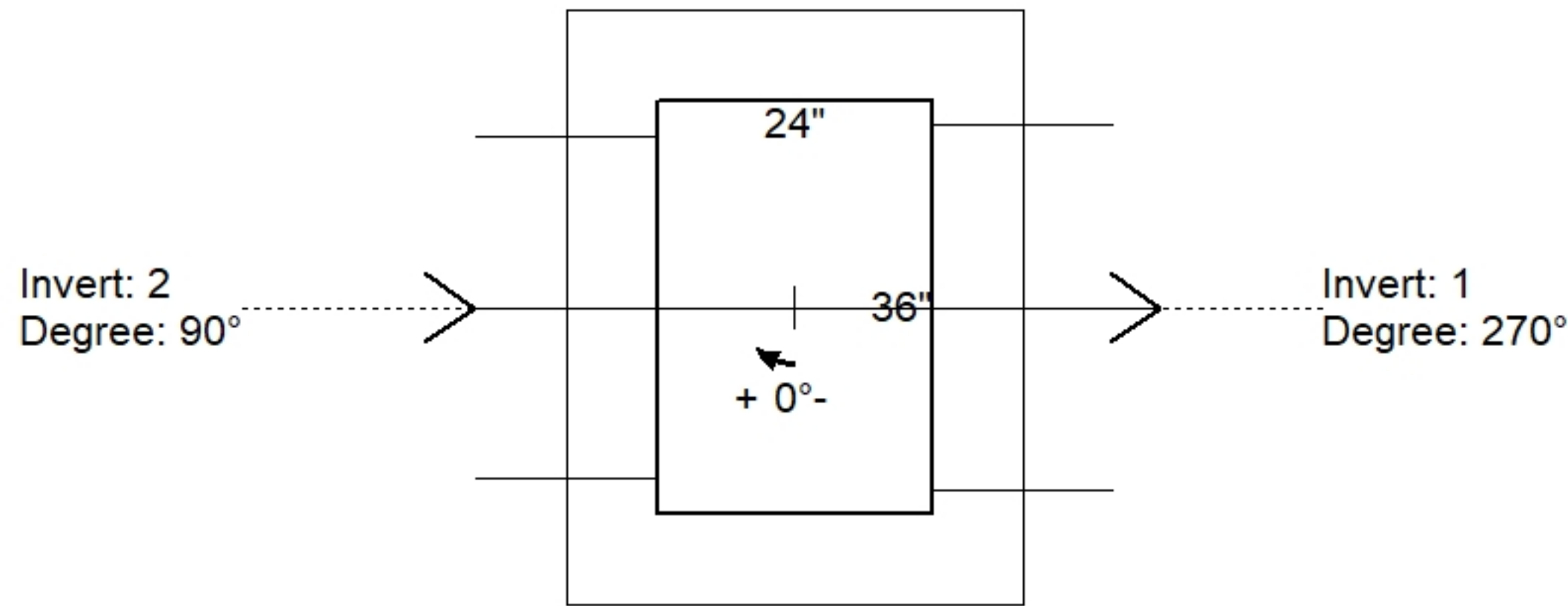
Floor (Bot): 730.773'  
 Overall Height: 5.083'  
 Slack: 0.52"

**Structure Notes:**

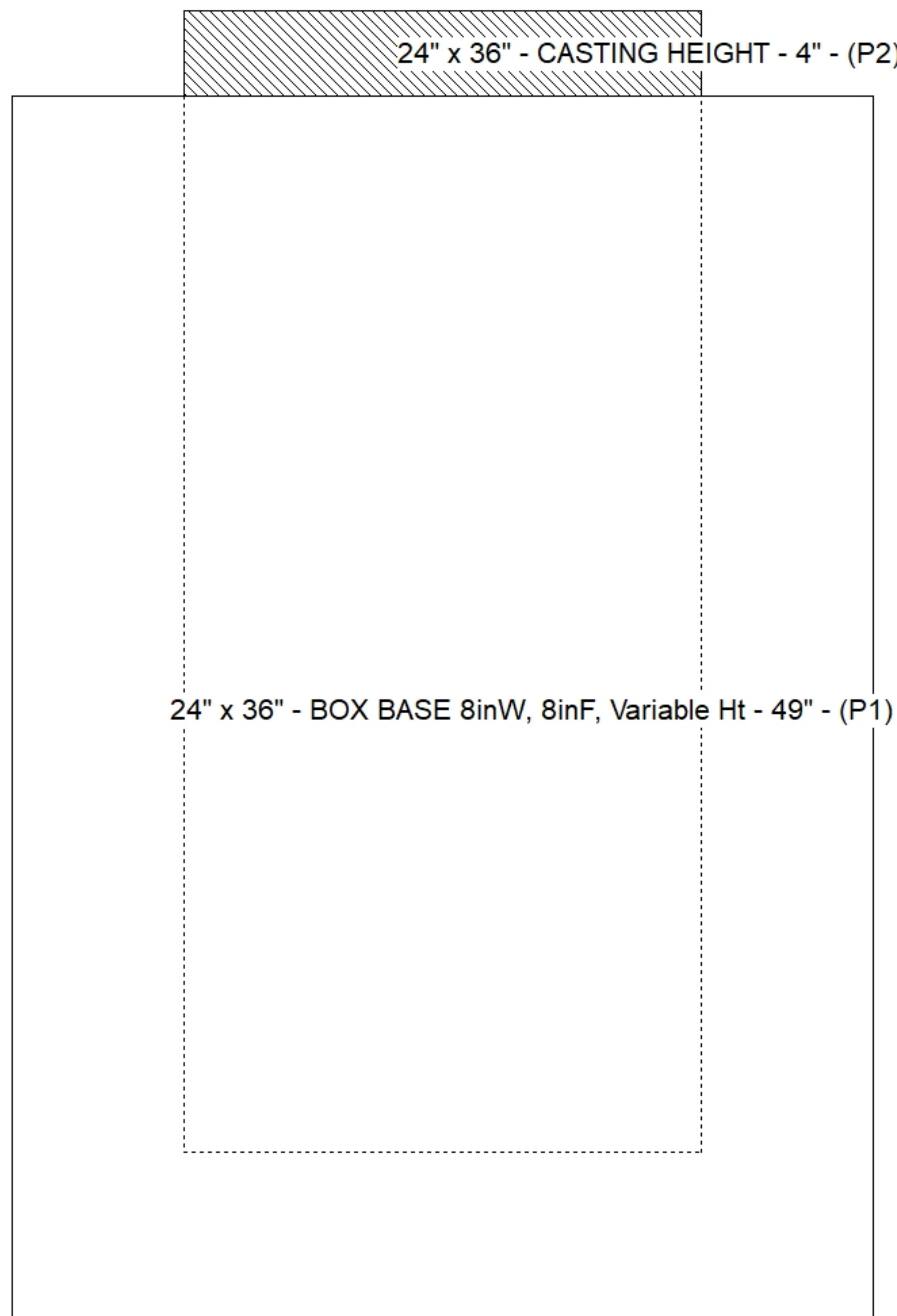
1. PER ASTM C913 SPECIFICATIONS.
2. CONCRETE = 4,000 PSI AT 28 DAYS.
3. NO INVERT CHANNEL.
4. HOE 518 BY ICAST
5. REINFORCING PER ASTM A615 (GRADE 60).  
 - WALLS (As .12) #5 BARS AT 12" C.C.E.W.  
 - FLOOR (As .12) #5 BARS AT 12" C.C.E.W.

**STRUCTURE SUMMARY:**

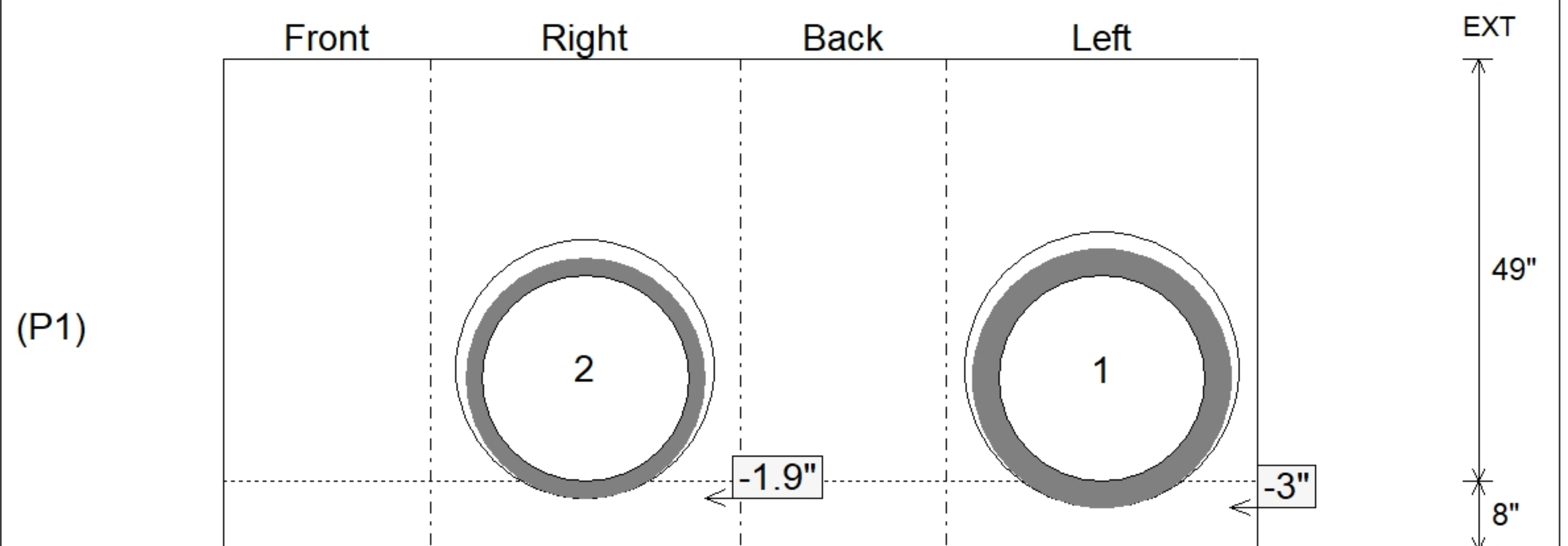
P2) 24" x 36" - CASTING HEIGHT - 4"	0 lb
P1) 24" x 36" - BOX BASE 8inW, 8inF, Variable Ht - 49"	5382 lb
1) 24" x 36" - SGL 1"x14.5' Butyl	0 lb
1) Hole - 32	0 lb
1) Hole - 30	0 lb
<b>Structure Total:</b>	<b>5382 lb</b>



Position	Elev	Angle	Pipe	Pipe OD	Hole	Connector	Up (")	Ref
Rim	735.9'							
Reducer								
Invert 1	731.44'	270°	24" RCP B WALL	30"	32"	Hole 32	-3"	P1
Invert 2	731.44'	90°	24" HDPE	27.8"	30"	Hole 30	-1.9"	P1
Invert 3								
Invert 4								
Invert 5								
Invert 6								
Invert 7								
Invert 8								



**Default - Interior Dimensions**



Submittal Drawing  
 11/13/2025 1:44:10 PM

SUBMITTAL  
 APPROVED BY: