

Job Name: 25-2621 Night Hawk Place Lot 2G Storm
Job Location: Radcliff, KY
Contractor: City of Radcliff

PC: J.Jarvis
 TECH: C.Russ
 Plant: Beaver Dam



Structure ID: JB K

Spec: Storm
 Type: STM.MH (Recessed pipe)
 Size: 48"

Rim: 736.36'
 Invert: 732.51'
 Rim to Invert: 3.85'

Sump: 0"
 Floor (Top): 732.51'
 Floor Height: 6"

Floor (Bot): 732.01'
 Overall Height: 4.333'
 Slack: 0.2"

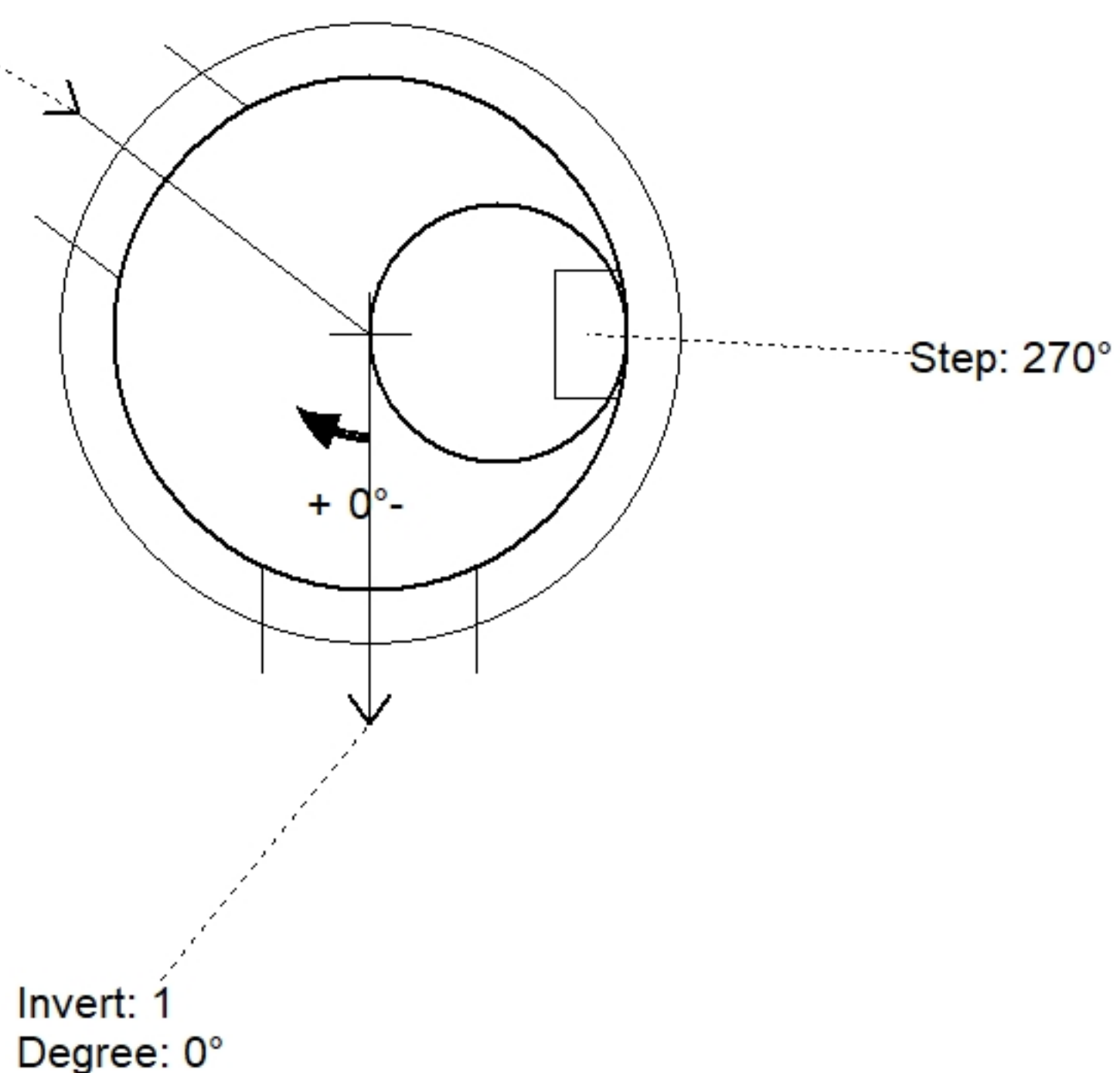
Structure Notes:

1. PER ASTM C478 SPECIFICATIONS.
2. CONCRETE = 4,000 PSI AT 28 DAYS.
3. NO INVERT CHANNEL.
4. REINFORCING PER ASTM A615 (GRADE 60).

STRUCTURE SUMMARY:

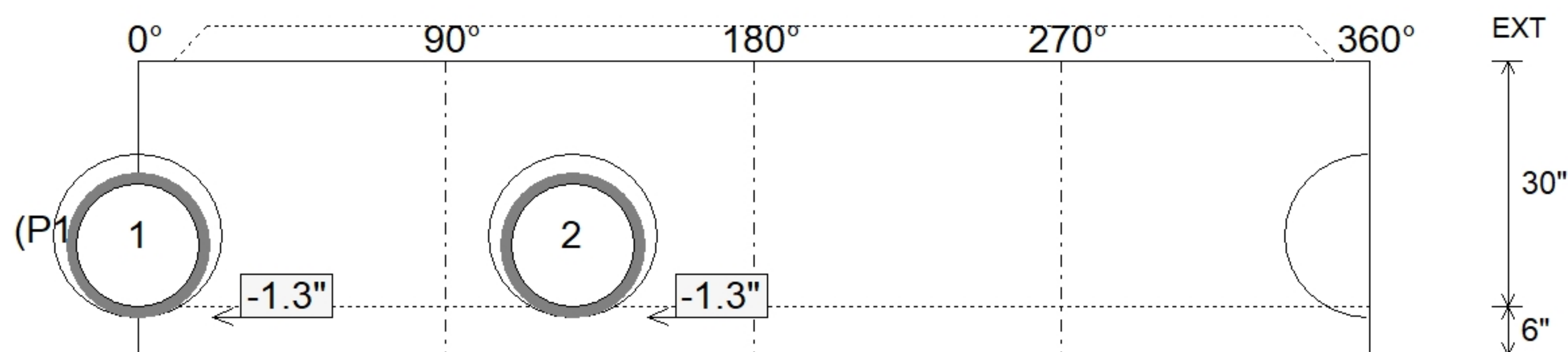
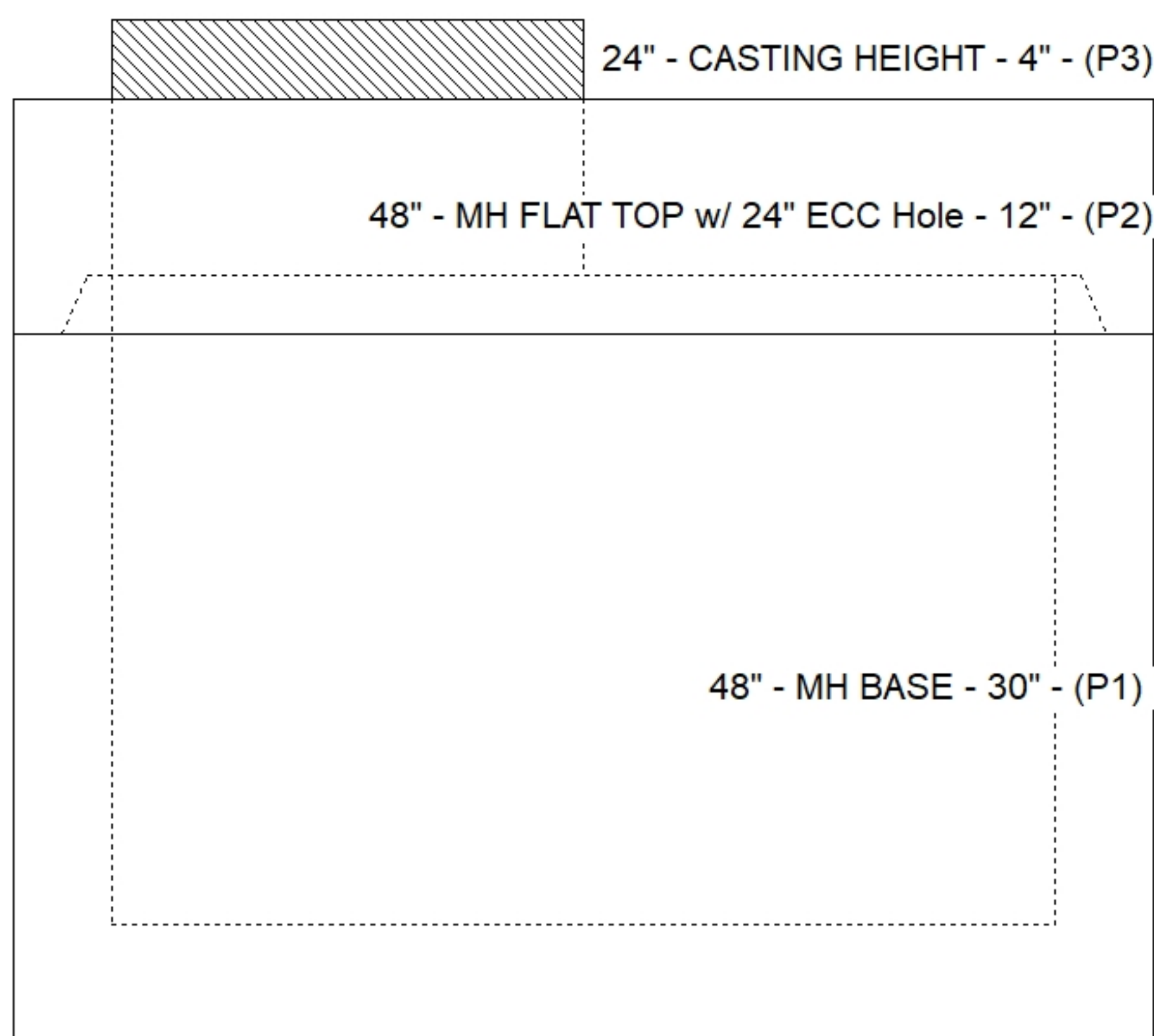
P3) 24" - CASTING HEIGHT - 4"	0 lb
P2) 48" - MH FLAT TOP w/ 24" ECC Hole - 12"	1561 lb
P1) 48" - MH BASE - 30"	3155 lb
1) 48" - SGL 1"x14.5' Butyl (2x)	0 lb
2) Hole - 20	0 lb
3) MH Step ML-10-TDS-NCR - 10"	0 lb
Structure Total:	4716 lb

Invert: 2
 Degree: 127°



Position	Elev	Angle	Pipe	Pipe OD	Hole	Connector	Up ()	Ref
Rim	736.36'							
Reducer								
Invert 1	732.51'	0°	15" HDPE	17.6"	20"	Hole 20	-1.3"	P1
Invert 2	732.51'	127°	15" HDPE	17.6"	20"	Hole 20	-1.3"	P1
Invert 3								
Invert 4								
Invert 5								
Invert 6								
Invert 7								
Invert 8								

Default - Interior Dimensions



Submittal Drawing
 11/13/2025 1:44:09 PM

SUBMITTAL
 APPROVED BY: