

Job Name: 25-2621 Night Hawk Place Lot 2G Storm
 Job Location: Radcliff, KY
 Contractor: City of Radcliff

Plant: Beaver Dam

Tech: C.Russ

11/13/2025 1:45:40 PM

PC: J.Jarvis



Structure ID: JB K

P2 MH048LD12ECC

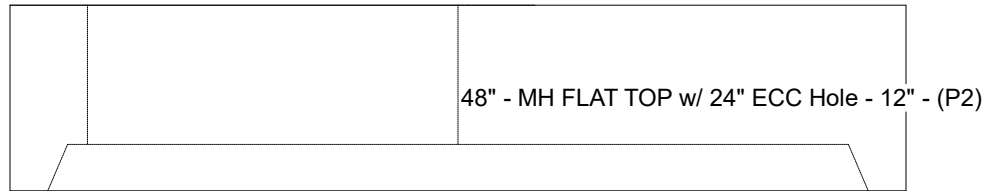
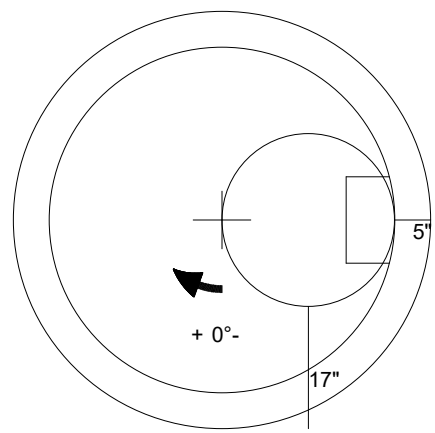
MH FLAT TOP w/ 24" ECC Hole

- P3) 24" - CASTING HEIGHT - 4"
- P2) 48" - MH FLAT TOP w/ 24" ECC Hole - 12"
- P1) 48" - MH BASE - 30"
- 1) 48" - SGL 1"x14.5' Butyl (2x)
- 2) Hole - 20"
- 3) MH Step ML-10-TDS-NCR - 10"

0 lb
 1561 lb
 3155 lb
 0 lb
 0 lb
 0 lb

 Structure Total: 4716 lb

Structure Notes:
 1. PER ASTM C478 SPECIFICATIONS.
 2. CONCRETE = 4,000 PSI AT 28 DAYS.
 3. NO INVERT CHANNEL.
 4. REINFORCING PER ASTM A615 (GRADE 60).



Coating (Int):
 Coating (Ext):

Seam Up: Flat
 Seam Dn: Groove

Wall Thickness: 5"

Height (Ext): 12"

Weight (Net): 1561 lb
 Volume (Net): 0.42cu.yd