

Job Name: 25-2621 Night Hawk Place Lot 2G Storm  
 Job Location: Radcliff, KY  
 Contractor: City of Radcliff

Plant: Beaver Dam

Tech: C.Russ

9/25/2025 2:38:38 PM

PC: J.Jarvis



**Structure ID: JB K**

**P1 MH048BA30**

**MH BASE T/n**

- P3) 24" - CASTING HEIGHT - 4"
- P2) 48" - MH FLAT TOP w/ 24" ECC Hole F/G - 12"
- P1) 48" - MH BASE T/n - 30"
- 1) 48" - SGL 1"x14.5' Butyl (2x)
- 2) Hole - 20
- 3) MH Step ML-10-TDS-NCR - 10"

0 lb  
 1561 lb  
 3155 lb  
 0 lb  
 0 lb  
 0 lb  
 -----  
 Structure Total: 4716 lb

Structure Notes:

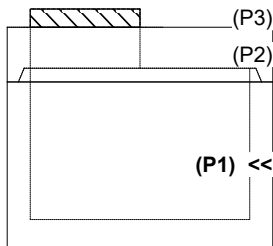
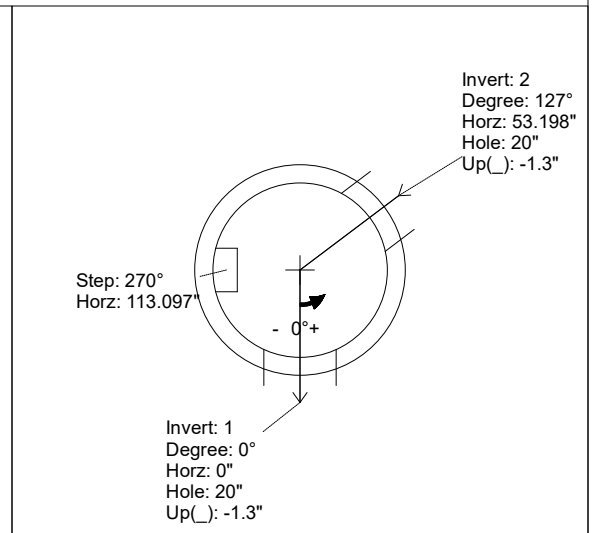
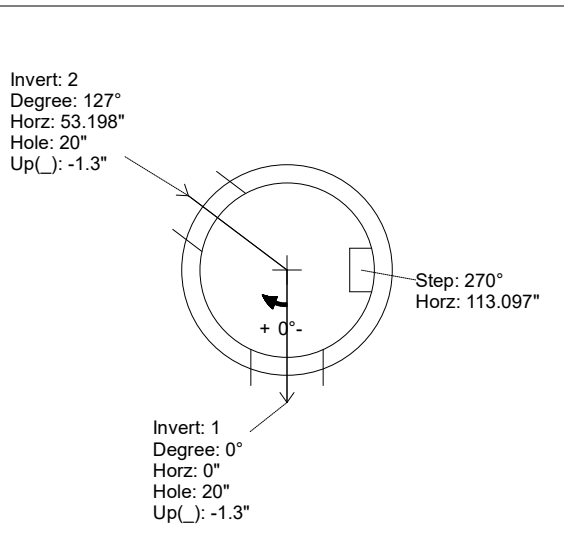
1. PER ASTM C478 SPECIFICATIONS.
2. CONCRETE = 4,000 PSI AT 28 DAYS.
3. NO INVERT CHANNEL.
4. REINFORCING PER ASTM A615 (GRADE 60).

Rim: 736.36' Rim to Invert: 3.85' Slack: 0.2" Sump: 0" Step Position: 270°

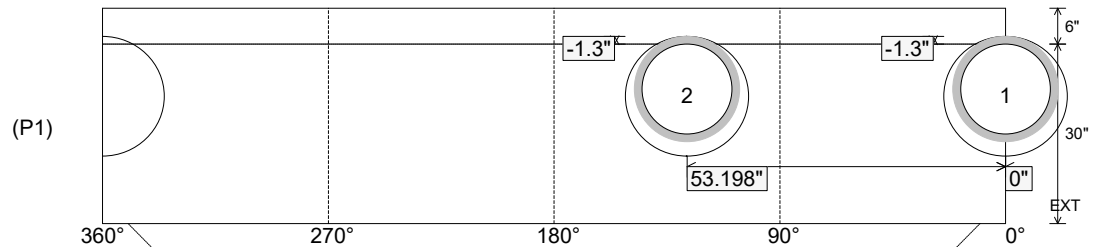
Position	Elev	Angle	Ext. (cw)	Pipe	Pipe OD	Connector	Hole	Horz Size	Up ( )	Offset
Invert 1	732.51'	0°	0"	15" HDPE	17.6"	Hole 20	20"	20.629"	-1.3"	0"
Invert 2	732.51'	127°	64.28"	15" HDPE	17.6"	Hole 20	20"	20.629"	-1.3"	0"
Invert 3										
Invert 4										
Invert 5										
Invert 6										
Invert 7										
Invert 8										

**RIGHT-SIDE UP VIEW (int. dimensions)**

**UPSIDE-DOWN VIEW (int. dimensions)**



**INSIDE WALL DIMENSIONS**



Coating (Int):  
 Coating (Ext):

Seam Up: Tongue  
 Seam Dn: n/a

Wall Thickness: 5"  
 Floor Height: 6"

Height (Int): 30"  
 Height (Ext): 36"

Weight (Net): 3155 lb  
 Volume (Net): 0.81cu.yd