

**Job Name: 25-2621 Night Hawk Place Lot 2G Storm**  
**Job Location: Radcliff, KY**  
**Contractor: City of Radcliff**

PC: J.Jarvis  
 TECH: C.Russ  
 Plant: Beaver Dam



Structure ID: **JB G**  
 Spec: Storm  
 Type: STM.MH  
 Size: 60"

Rim: 741'  
 Invert: 732.89'  
 Rim to Invert: 8.11'

Sump: 3.05"  
 Floor (Top): 732.636'  
 Floor Height: 8"

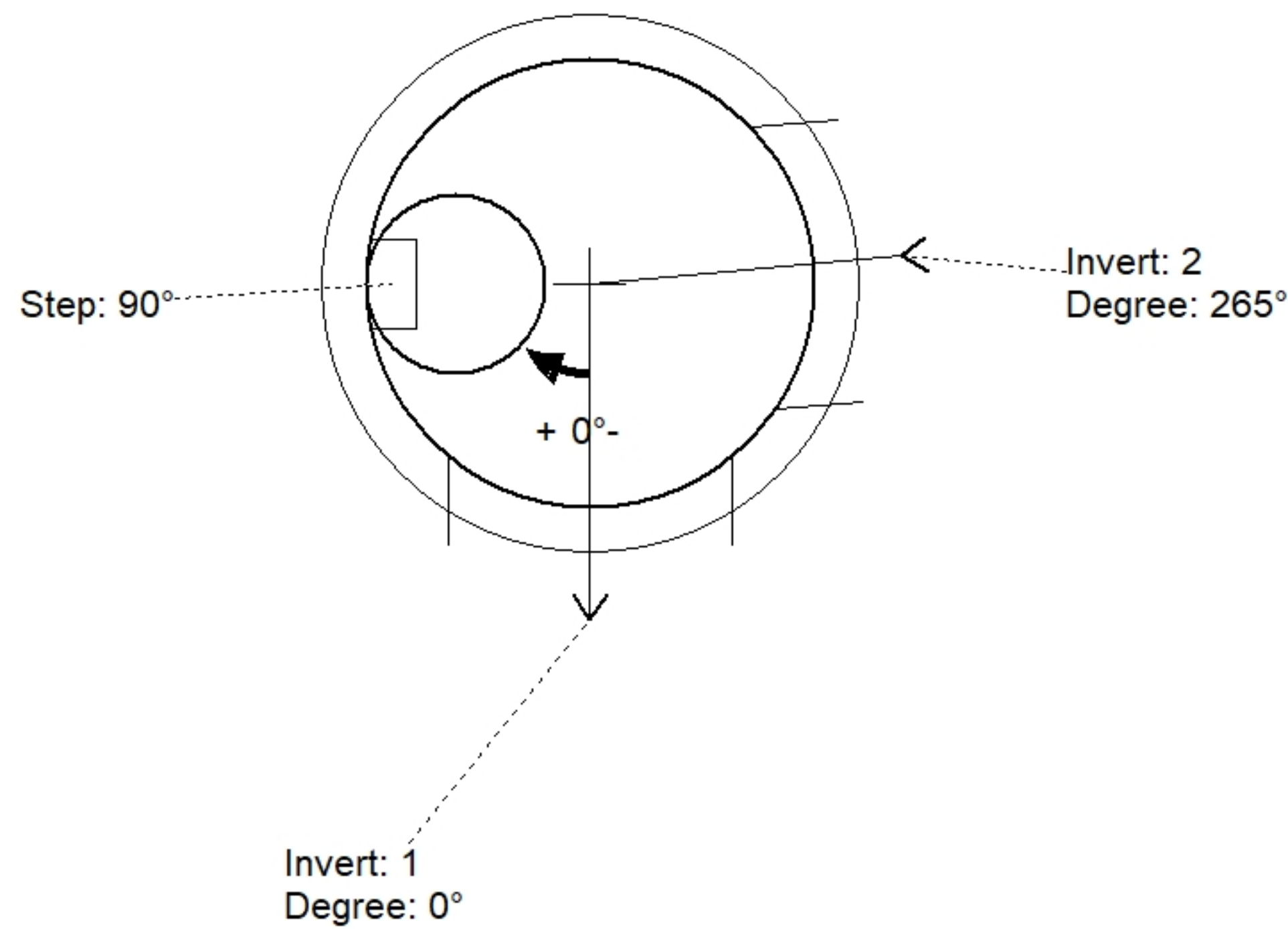
Floor (Bot): 731.969'  
 Overall Height: 9'  
 Slack: 0.37"

**Structure Notes:**

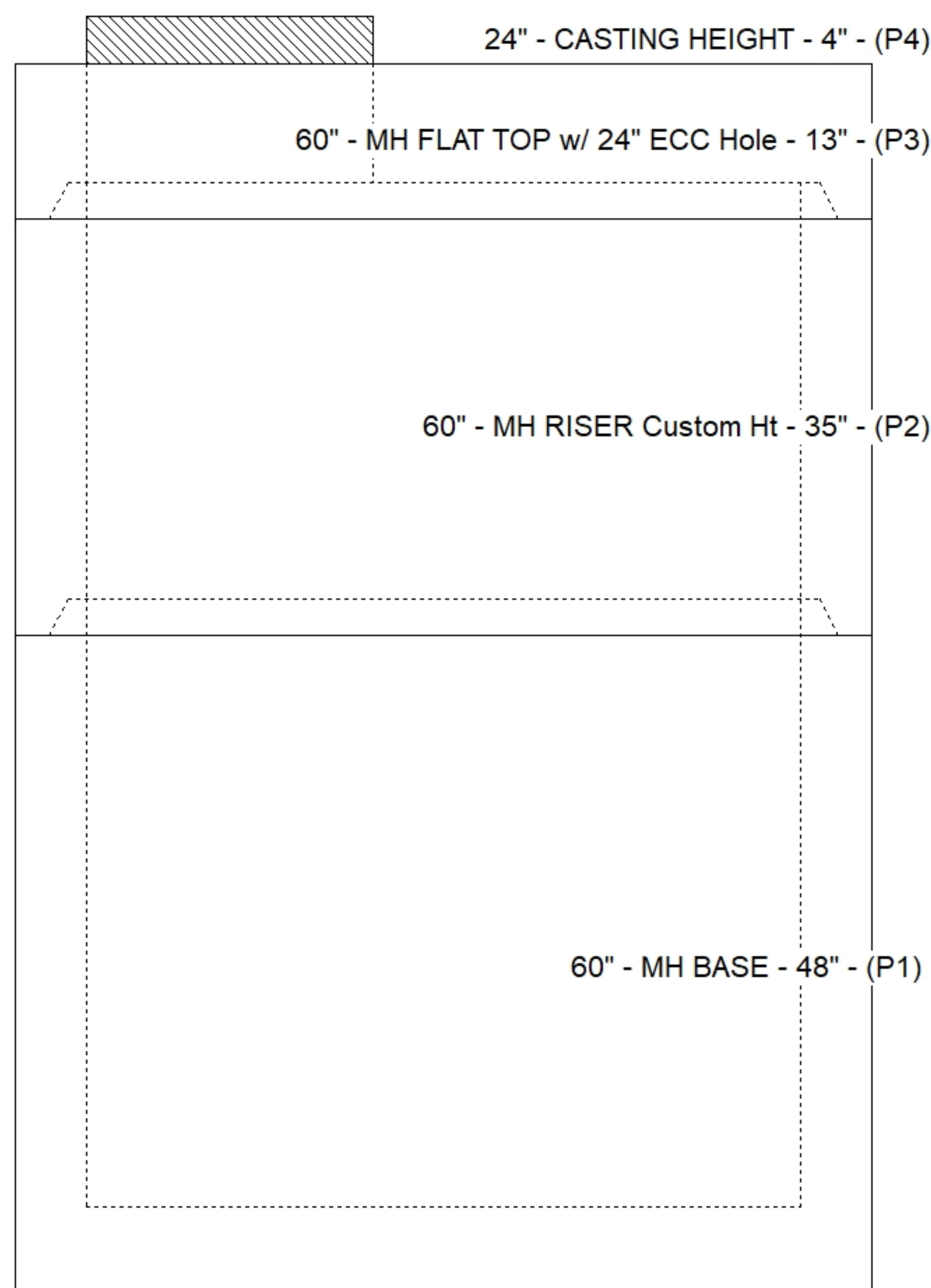
1. PER ASTM C478 SPECIFICATIONS.
2. CONCRETE = 4,000 PSI AT 28 DAYS.
3. HOE KY-206 BY ICAST
4. REINFORCING PER ASTM A615 (GRADE 60).
  - TOP SLAB (As .62) #5 BARS AT 6" C.C.E.W..
  - RISER/WALLS (As .18)
  - FLOOR (As .37) #5 BARS AT 10" C.C.E.W.

**STRUCTURE SUMMARY:**

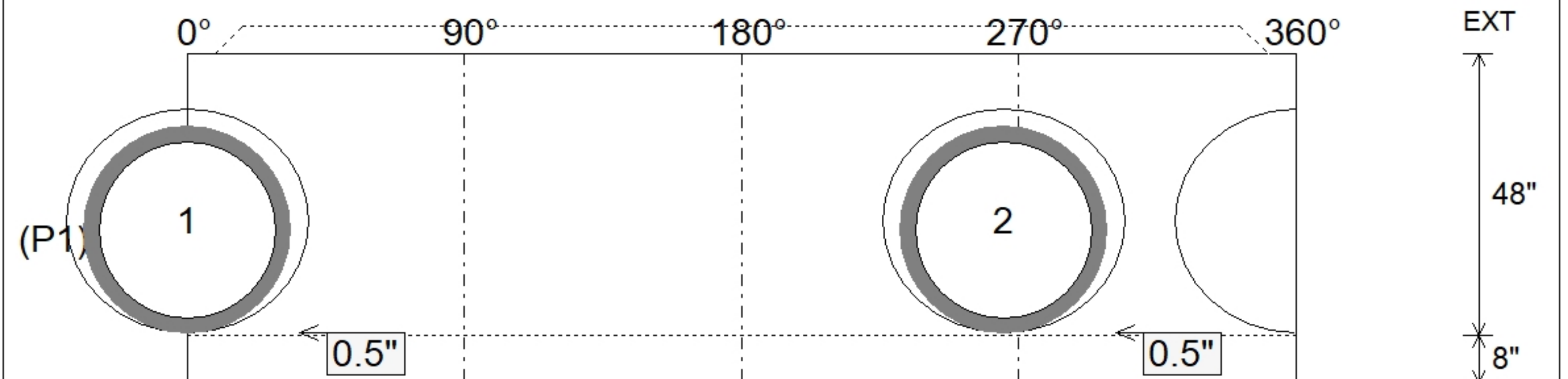
P4) 24" - CASTING HEIGHT - 4"	0 lb
P3) 60" - MH FLAT TOP w/ 24" ECC Hole - 13"	2869 lb
P2) 60" - MH RISER Custom Ht - 35"	3654 lb
P1) 60" - MH BASE - 48"	6524 lb
2) 60" - SGL 1"x14.5' Butyl (2x)	0 lb
2) Hole - 38	0 lb
4) MH Step ML-10-TDS-NCR - 10"	0 lb
<b>Structure Total:</b>	<b>13047 lb</b>



Position	Elev	Angle	Pipe	Pipe OD	Hole	Connector	Up (L)	Ref
Rim	741'							
Reducer								
Invert 1	732.89'	0°	30" HDPE	35.1"	38"	Hole 38	0.5"	P1
Invert 2	732.89'	265°	30" HDPE	35.1"	38"	Hole 38	0.5"	P1
Invert 3								
Invert 4								
Invert 5								
Invert 6								
Invert 7								
Invert 8								



**Default - Interior Dimensions**



Submittal Drawing  
 11/13/2025 1:44:07 PM

SUBMITTAL  
 APPROVED BY: